

EN

SKID PLATE INSTALLATION MANUAL

DE

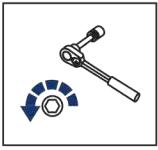
MONTAGEANLEITUNG FÜR UNTERBODENSCHUTZ SYSTEM



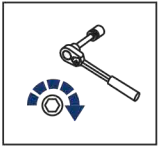
For: CFMoto CForce 800/1000 (2018-2022)

2K.8139.1

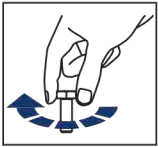




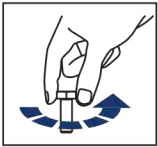
EN Regular fasteners
DE Originale montageile



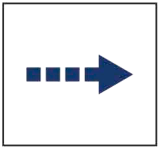
EN Regular fasteners
DE Originale montageile



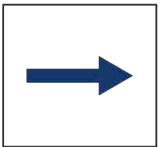
EN Screw a several turns
DE Für wenigen Umdrehungen befestigen



EN Loosen bolts
DE Bolzen lockern



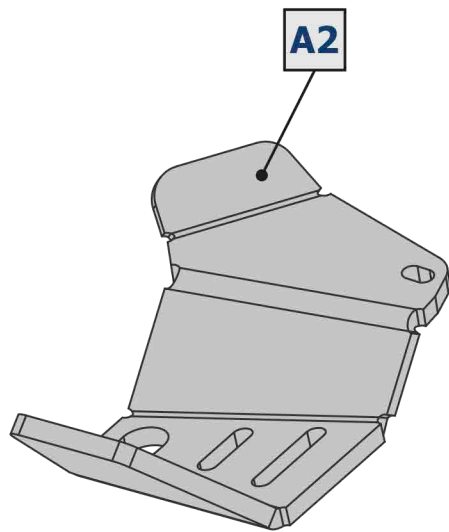
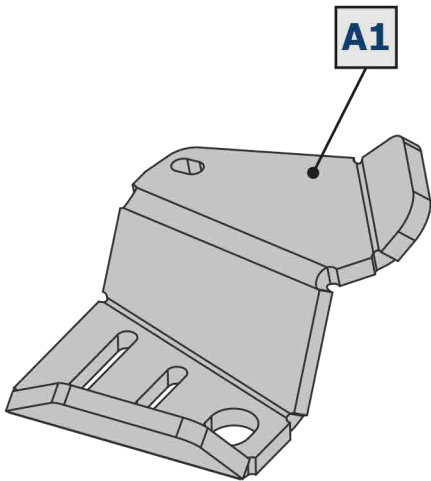
EN Movement Arrow
DE Bewegungsrichtung

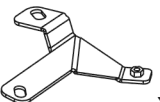
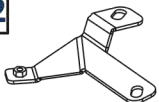


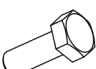



EN Location/Position Arrow
DE Anordnung/Positionsrichtung

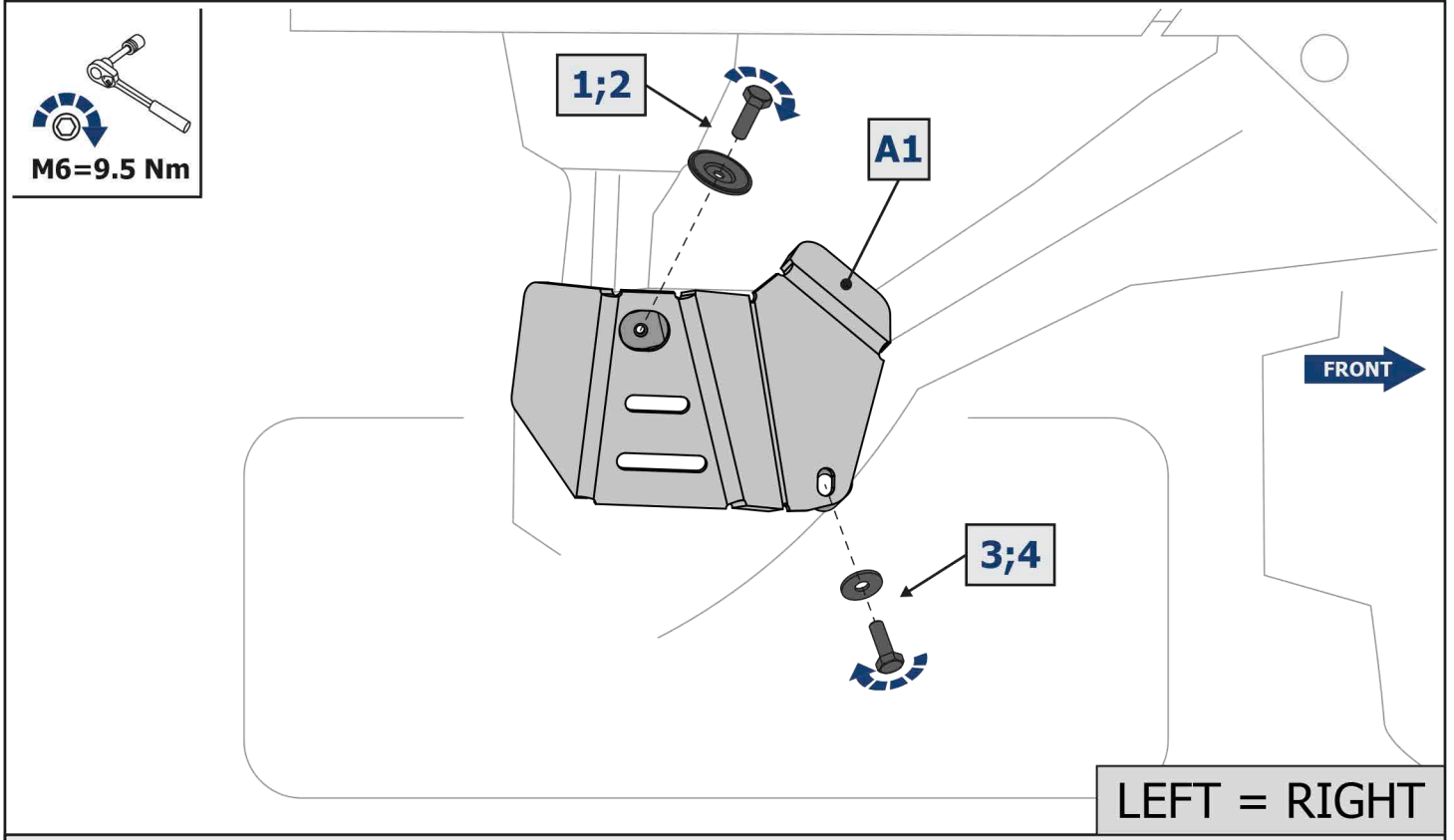
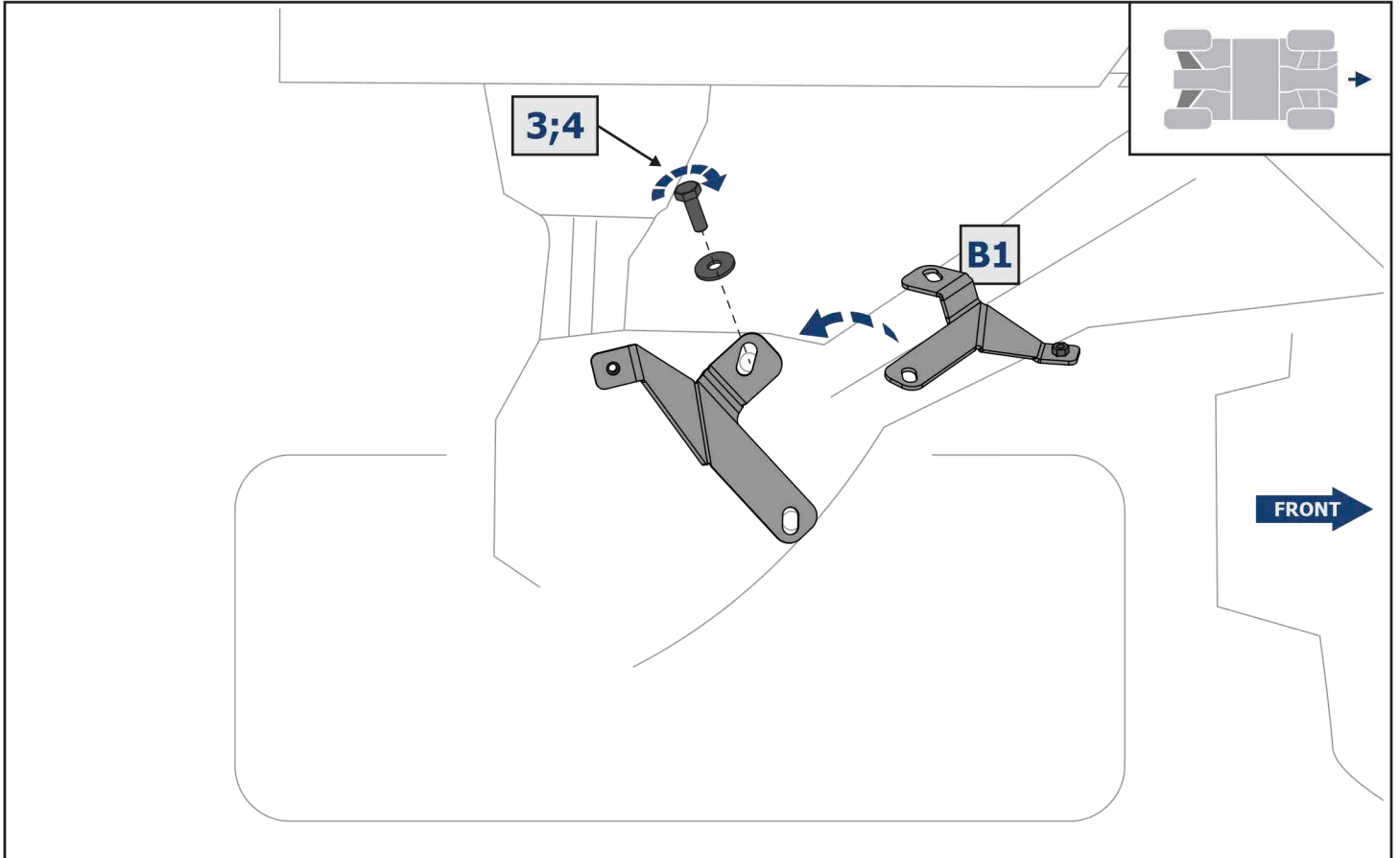


EN Screw Arrow
DE Drehungsrichtung



B1		x1	B2		x1	1		Ø6	x2	2		M6x16	x2	3		M6x25	x4	4		Ø6	x4
-----------	---	----	-----------	---	----	----------	---	----	----	----------	---	-------	----	----------	---	-------	----	----------	---	----	----

PRE-INSTALLATION: LAY OUT COMPONENTS AND COMPARE TO LIST AND IMAGES. IMAGES MAY NOT PORTRAY THE FULL DETAIL OR EXACT SHAPE OF THE PARTS; HOWEVER, THEY REPRESENT PARTS THAT HAVE SAME OR SIMILAR FUNCTION.



M6=9.5 Nm

TIP: PERIODICALLY CHECK ALL HARDWARE AND RE-TIGHTEN IF NEEDED.