

EN

SKID PLATE INSTALLATION MANUAL

DE

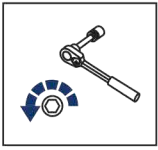
MONTAGEANLEITUNG FÜR UNTERBODENSCHUTZ SYSTEM



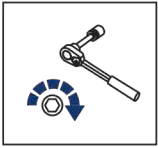
**For: CFMoto CForce 800/1000 (2018-2022)**

2K.8138.1





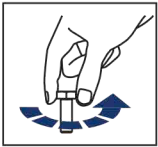
EN Regular fasteners  
DE Originale montageile



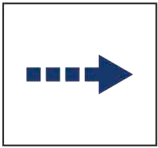
EN Regular fasteners  
DE Originale montageile



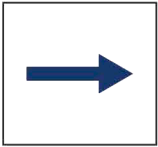
EN Screw a several turns  
DE Für wenigen Umdrehungen befestigen



EN Loosen bolts  
DE Bolzen lockern



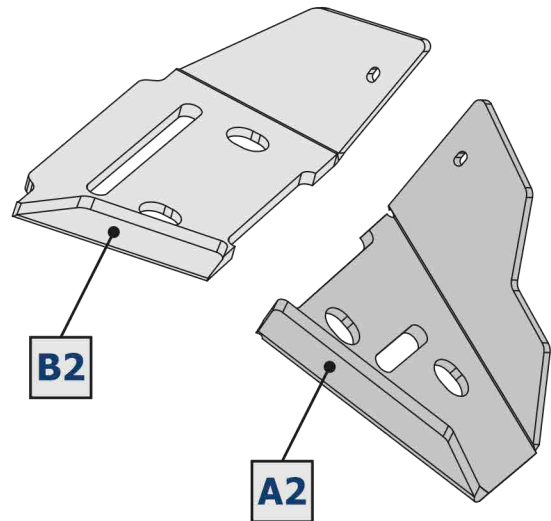
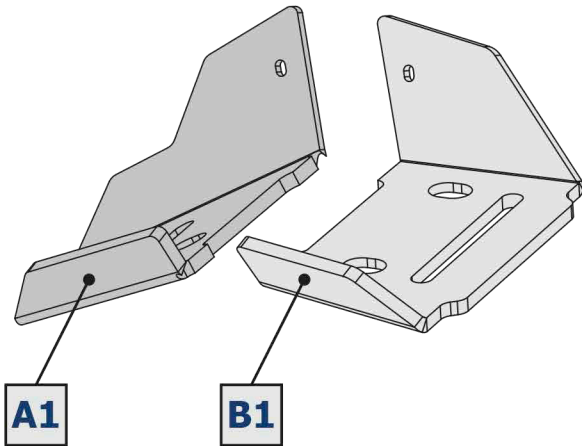
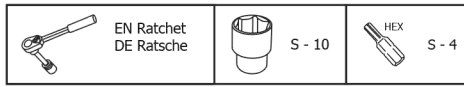
EN Movement Arrow  
DE Bewegungsrichtung


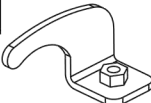

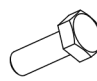
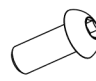



EN Location/Position Arrow  
DE Anordnung/Positionsrichtung

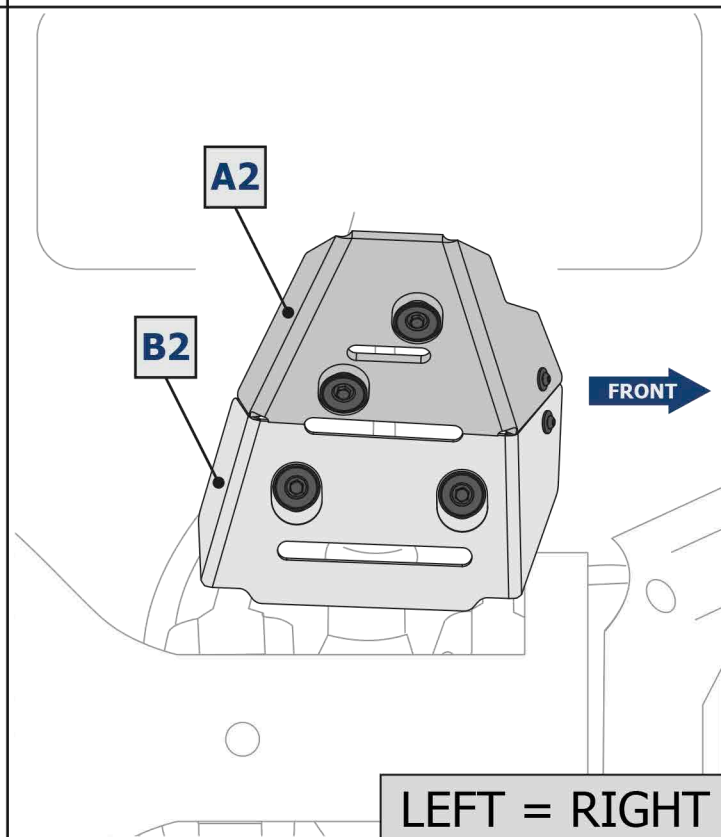
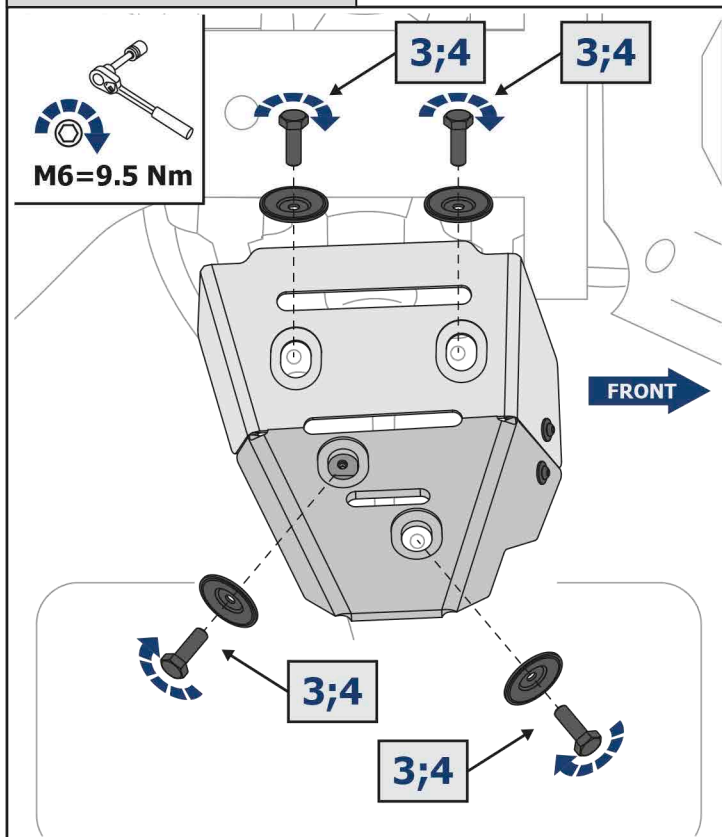
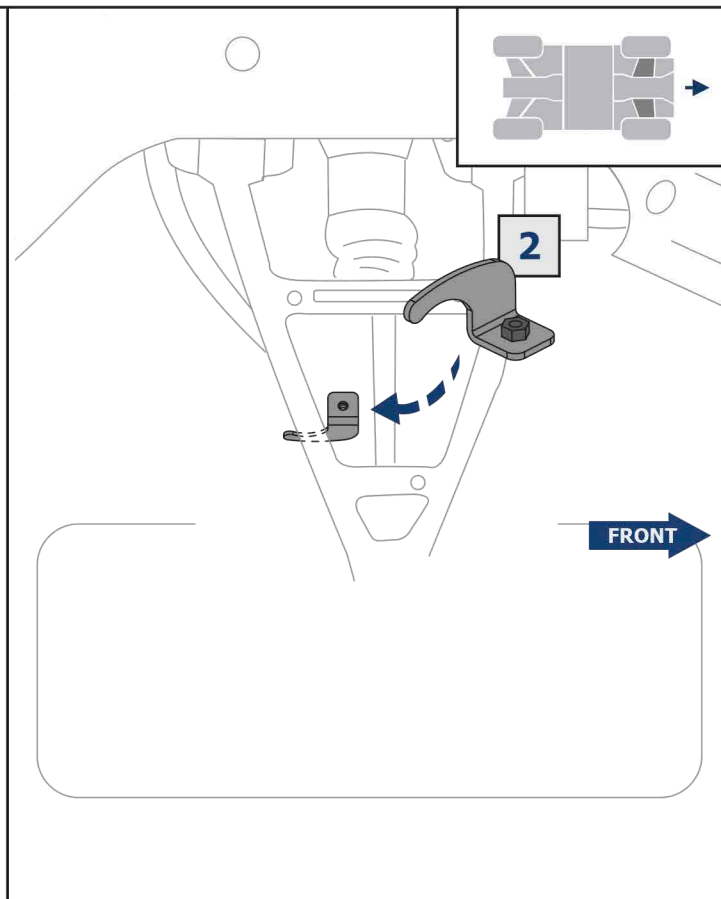
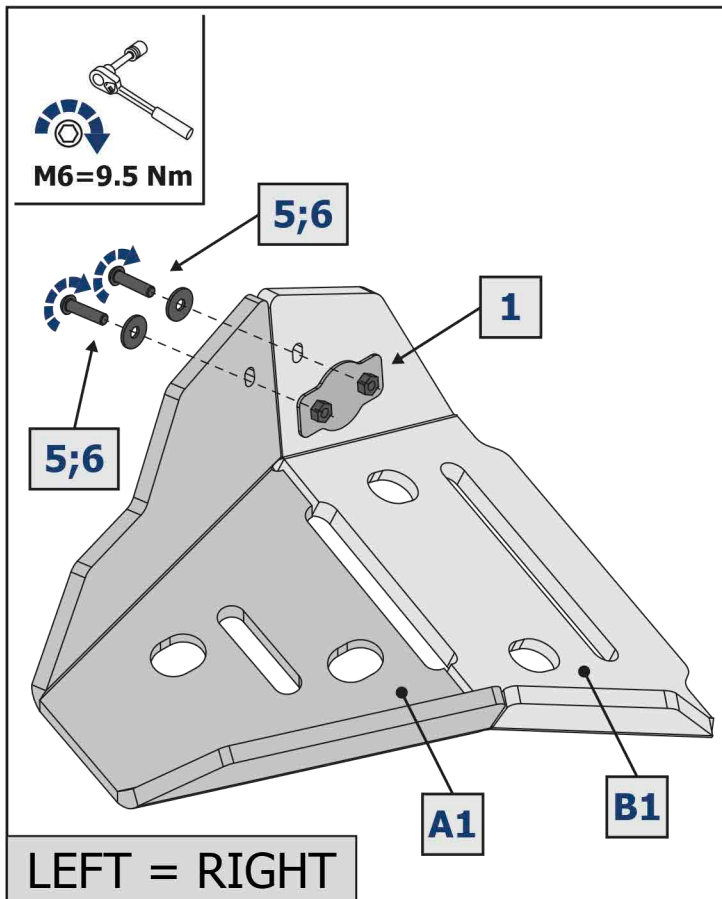


EN Screw Arrow  
DE Drehungsrichtung



<b>1</b>		x2	<b>2</b>		x2	<b>3</b>		Ø6	x8	<b>4</b>		M6x25	x8	<b>5</b>		M6x25	x4	<b>6</b>		Ø6	x4
----------	---	----	----------	---	----	----------	---	----	----	----------	---	-------	----	----------	---	-------	----	----------	---	----	----

PRE-INSTALLATION: LAY OUT COMPONENTS AND COMPARE TO LIST AND IMAGES. IMAGES MAY NOT PORTRAY THE FULL DETAIL OR EXACT SHAPE OF THE PARTS; HOWEVER, THEY REPRESENT PARTS THAT HAVE SAME OR SIMILAR FUNCTION.



TIP: PERIODICALLY CHECK ALL HARDWARE AND RE-TIGHTEN IF NEEDED.