

EN **SKID PLATE INSTALLATION MANUAL**

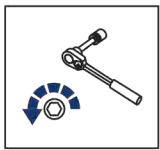
DE **MONTAGEANLEITUNG FÜR UNTERBODEN SCHUTZ SYSTEM**



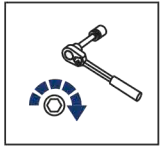
For: Can-Am Outlander L 450, 500 (2017-2021)

2444.8151.1





EN Regular fasteners
DE Originale montageile



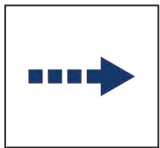
EN Regular fasteners
DE Originale montageile



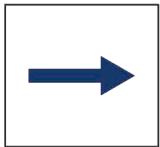
EN Screw a several turns
DE Für wenigen Umdrehungen befestigen



EN Loosen bolts
DE Bolzen lockern



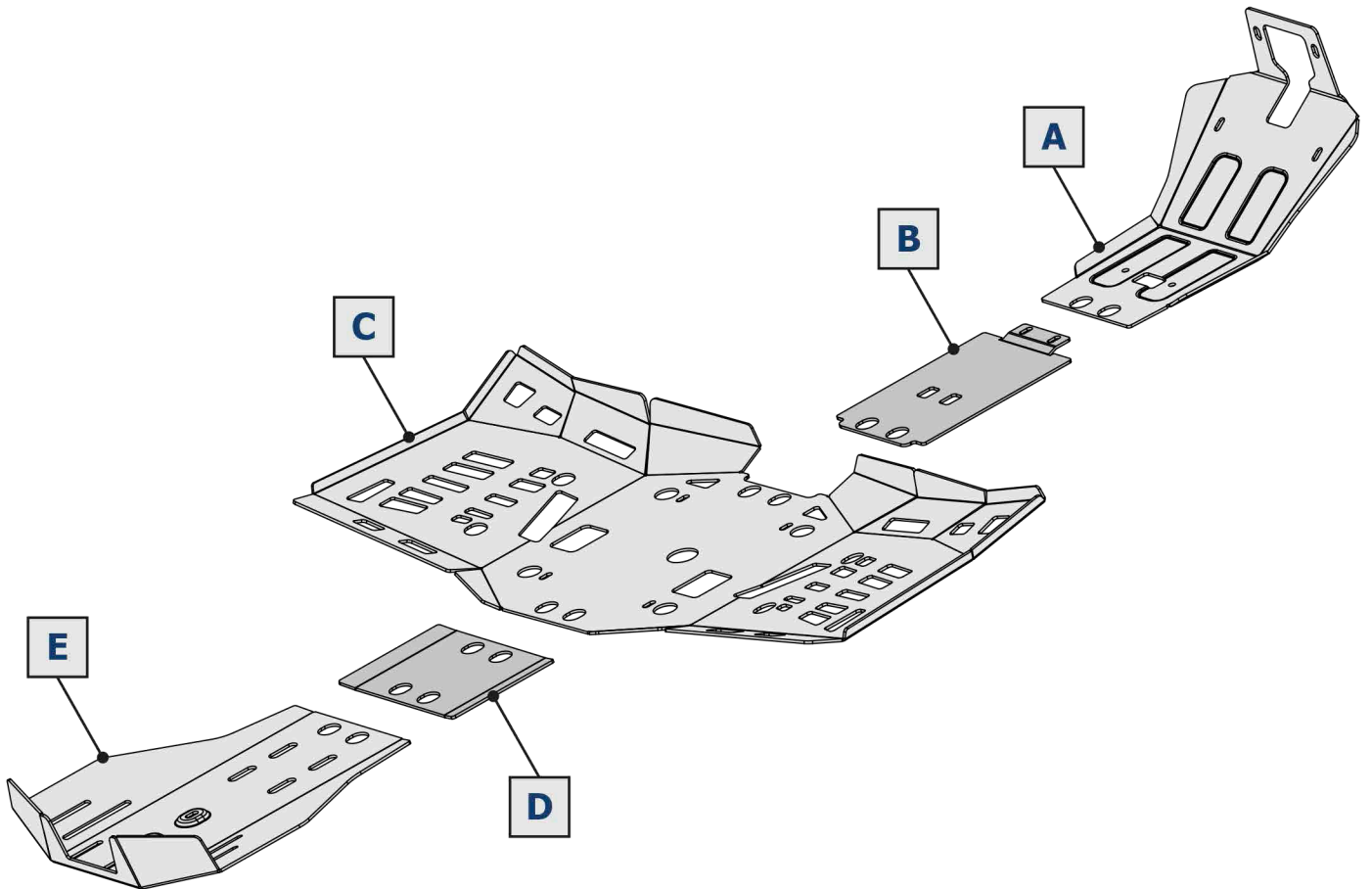
EN Movement Arrow
DE Bewegungsrichtung



EN Location/Position Arrow
DE Anordnung/Positionsrichtung



EN Screw Arrow
DE Drehungsrichtung



1 x1	2 x1	3 x1	4 x2	5 x2	6 x1
7 x1	8 M8 x2	9 M8 x10	10 M8 x4	11 M8x20 x8	12 M8x25 x18
13 M8x30 x4	14 M8x35 x2	15 M8x25 x2	16 ø6 x8	17 ø8 x8	18 ø8 x18

PRE-INSTALLATION: LAY OUT COMPONENTS AND COMPARE TO LIST AND IMAGES. IMAGES MAY NOT PORTRAY THE FULL DETAIL OR EXACT SHAPE OF THE PARTS; HOWEVER, THEY REPRESENT PARTS THAT HAVE SAME OR SIMILAR FUNCTION.

