

EN **SKID PLATE INSTALLATION MANUAL**

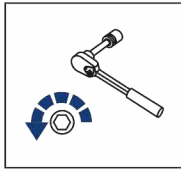
DE **MONTAGEANLEITUNG FÜR UNTERBODENSCHUTZ SYSTEM**



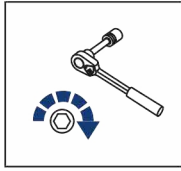
For: CFMOTO ZForce 950 Sport (2021-)

2444.8111.1

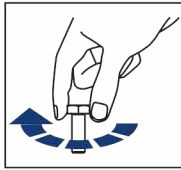




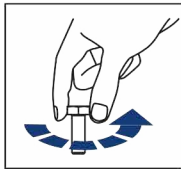
EN Regular fasteners
DE Originale montageteile



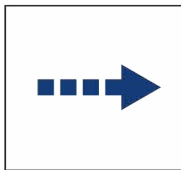
EN Regular fasteners
DE Originale montageteile



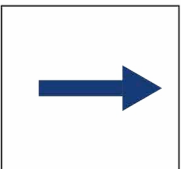
EN Screw a several turns
DE Für wenigen Umdrehungen befestigen



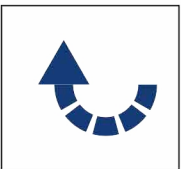
EN Loosen bolts
DE Bolzen lockern



EN Movement Arrow
DE Bewegungsrichtung

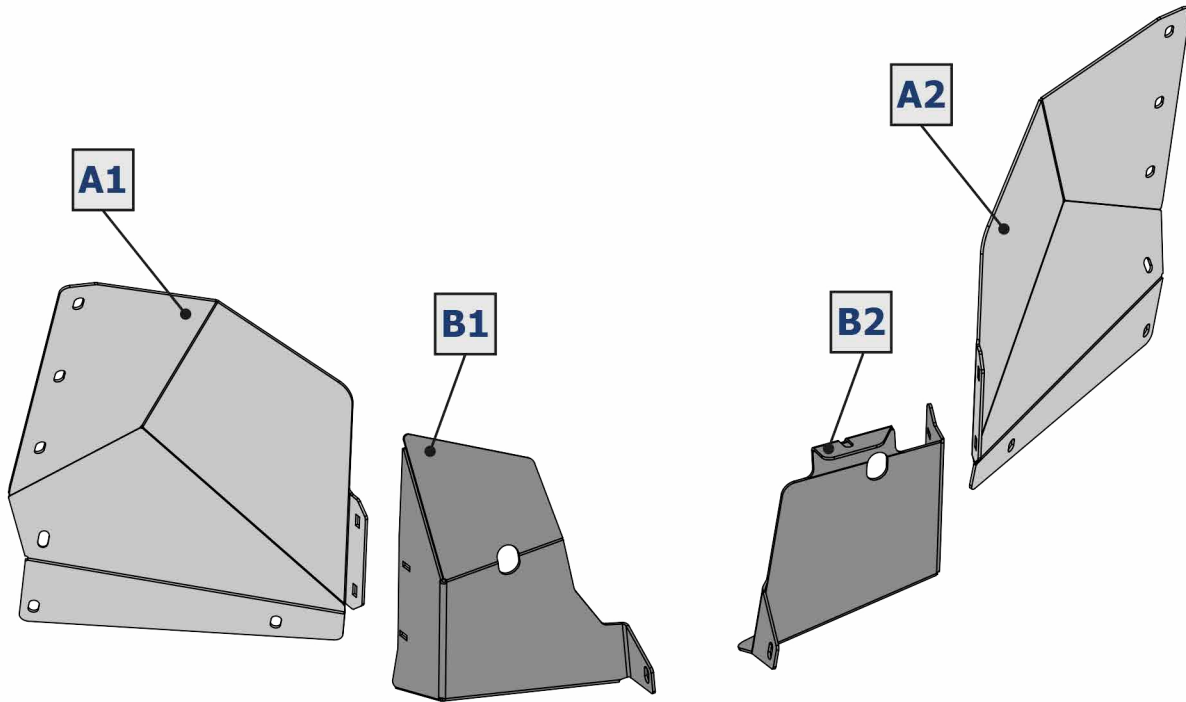


EN Location/Position Arrow
DE Anordnung/Positionsrichtung



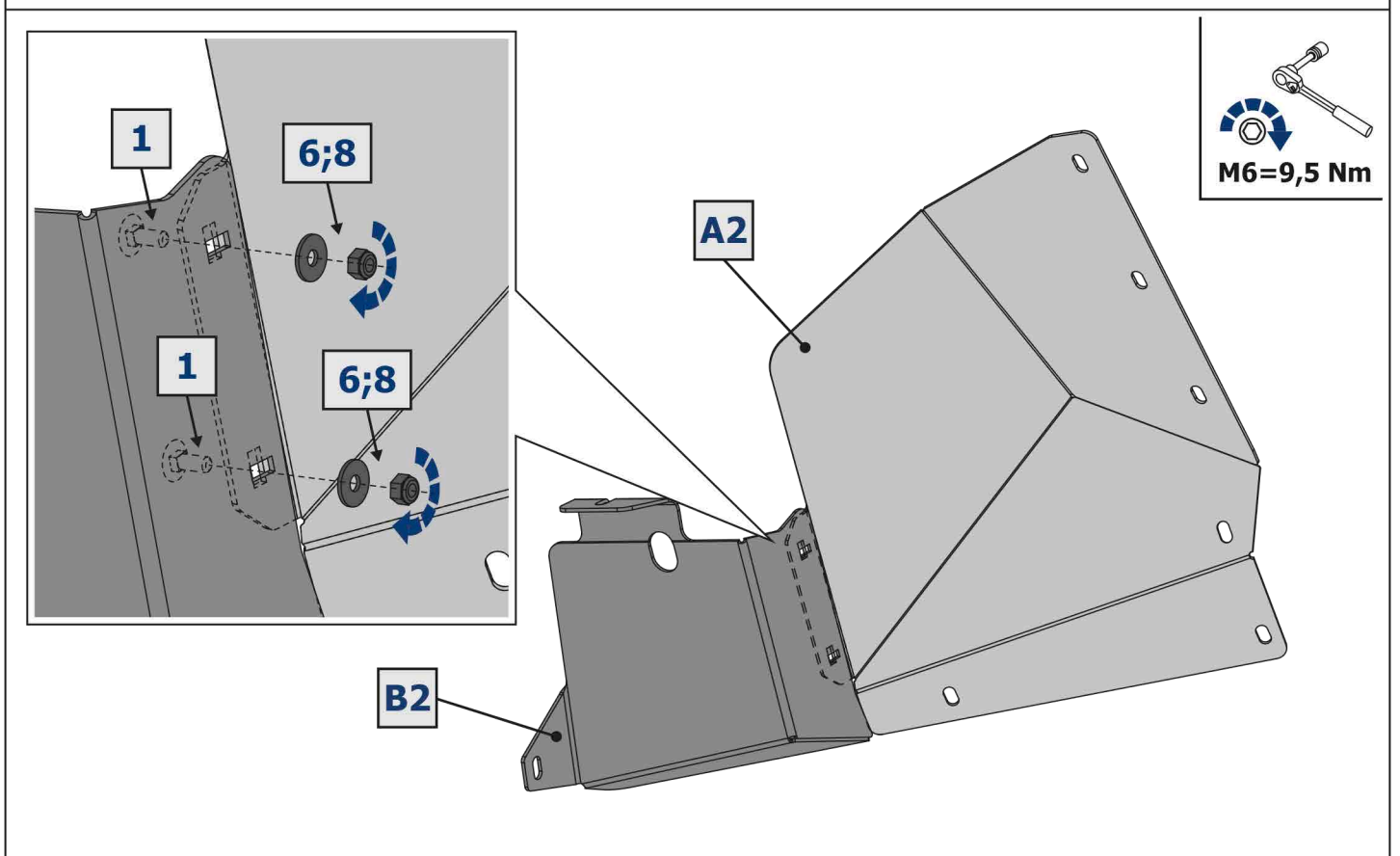
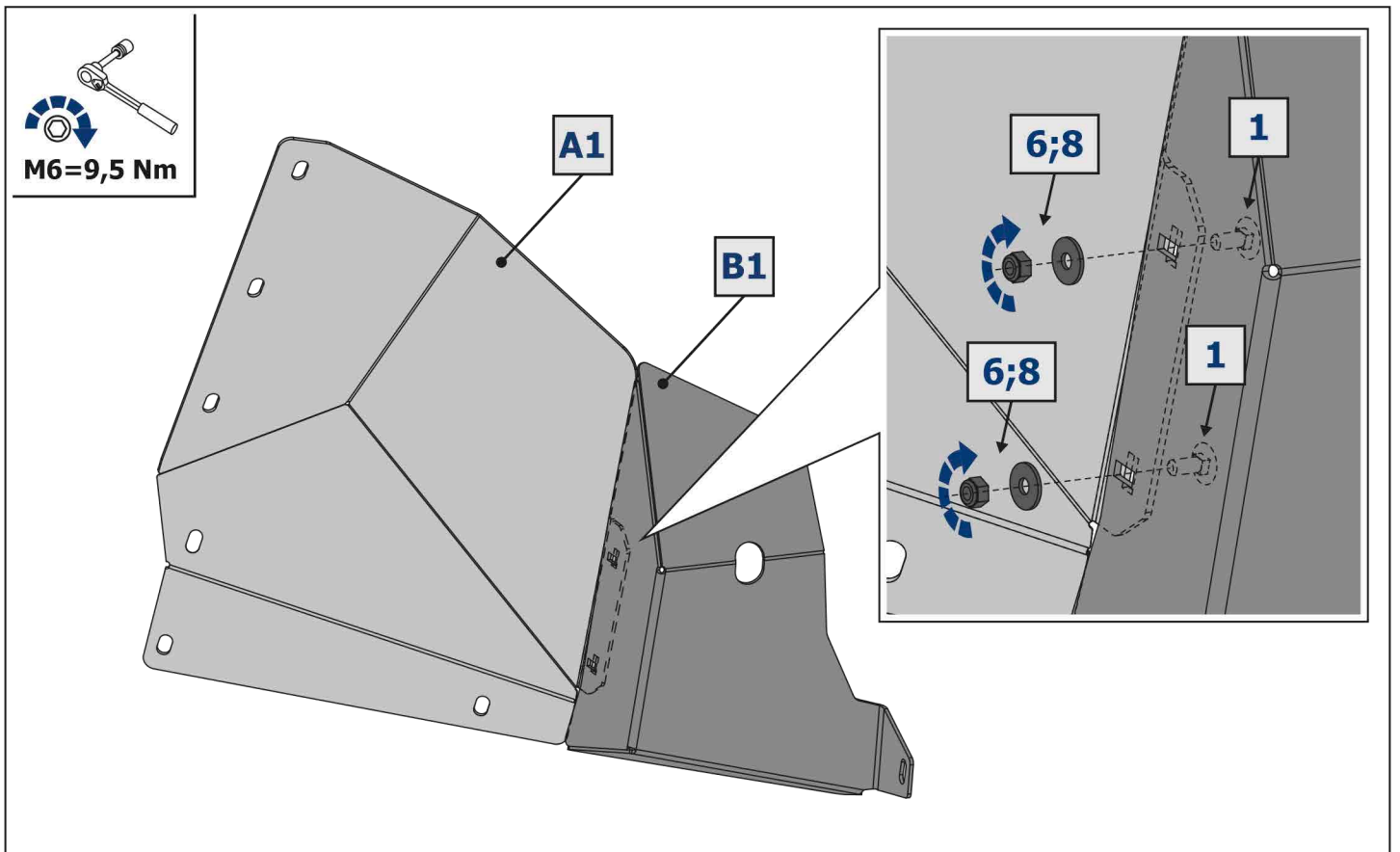
EN Screw Arrow
DE Drehungsrichtung

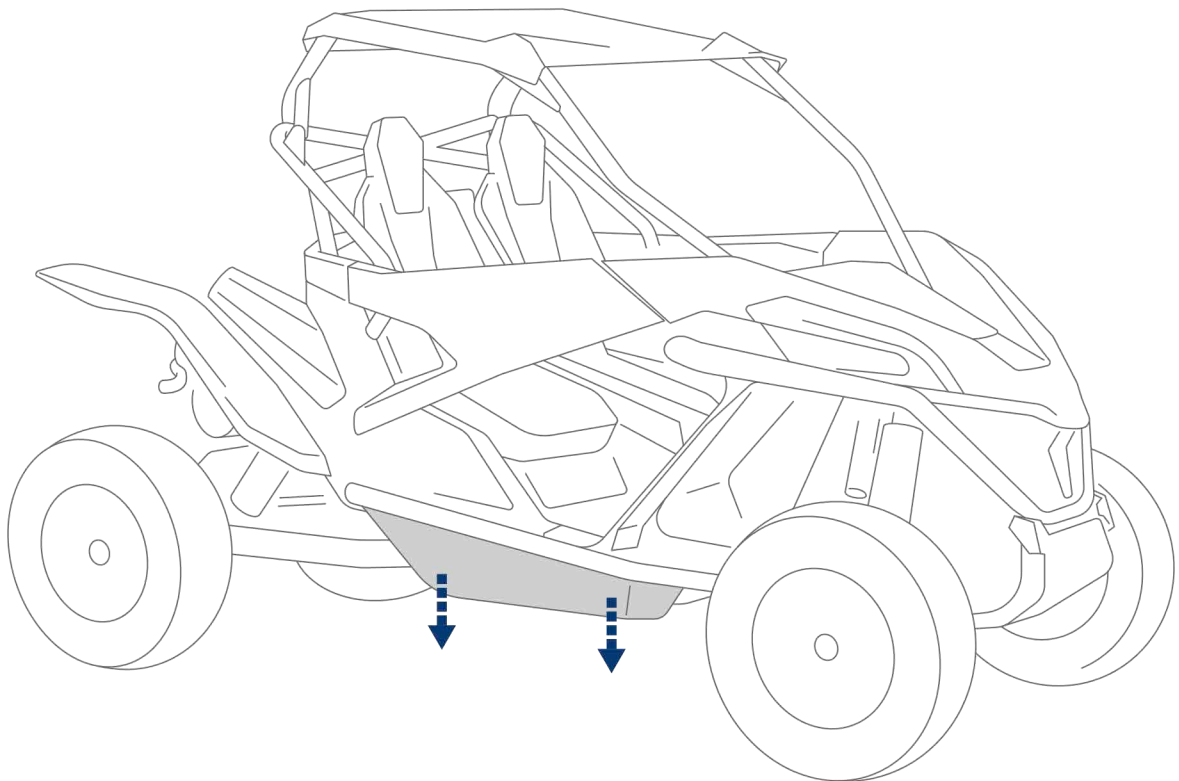
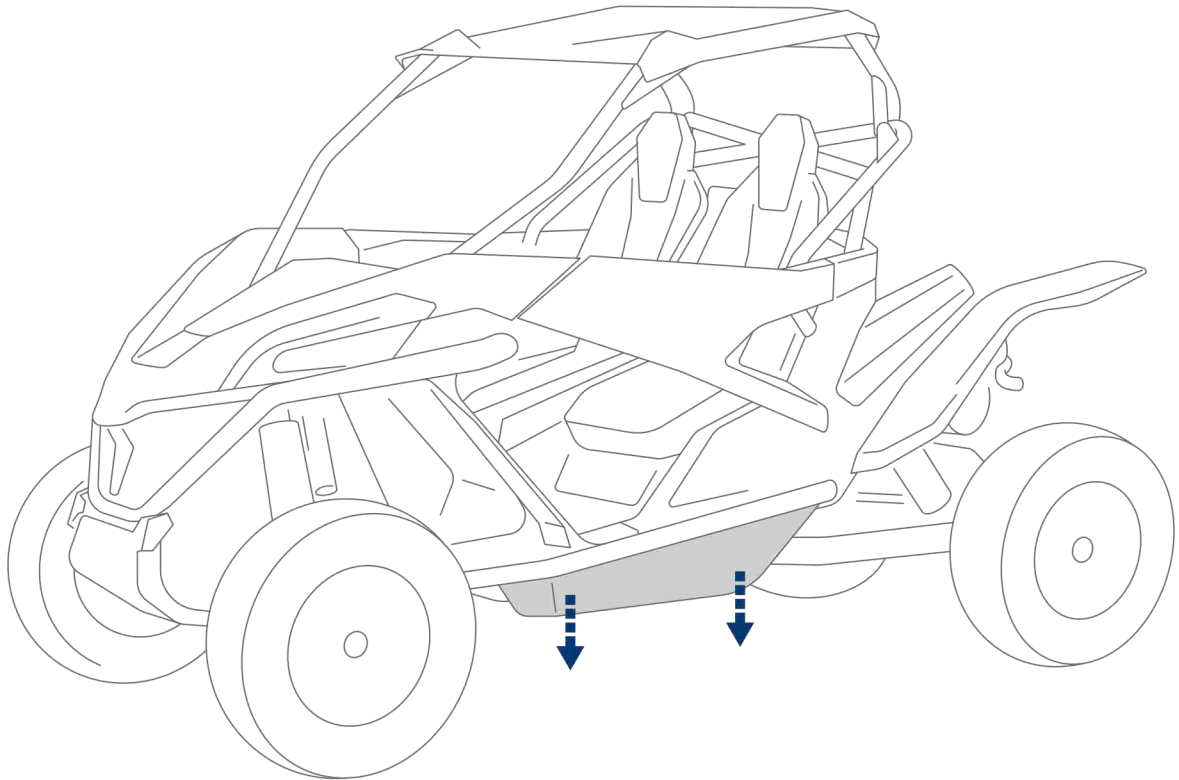
	EN Ratchet DE Ratsche		S - 10; S - 13		HEX S - 4; S - 5
--	--------------------------	--	-------------------	--	------------------------



1 M6x16 x4	2 M8x20 x1	3 M8x50 x2	4 M6x25 x2	5 M8x25 x6	6 ø6 x8
7 ø8 x18	8 M6 x6	9 M8 x9			

PRE-INSTALLATION: LAY OUT COMPONENTS AND COMPARE TO LIST AND IMAGES. IMAGES MAY NOT PORTRAY THE FULL DETAIL OR EXACT SHAPE OF THE PARTS; HOWEVER, THEY REPRESENT PARTS THAT HAVE SAME OR SIMILAR FUNCTION.

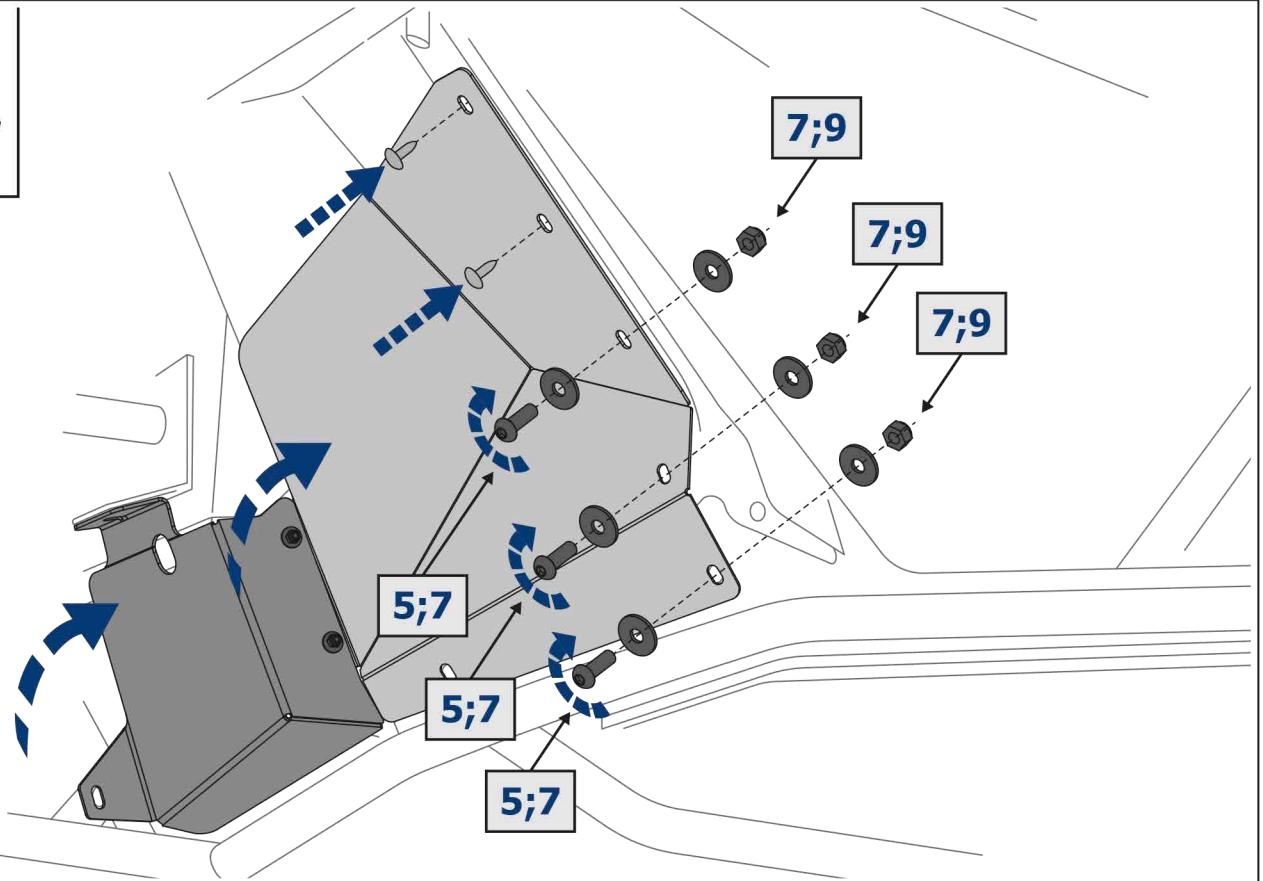


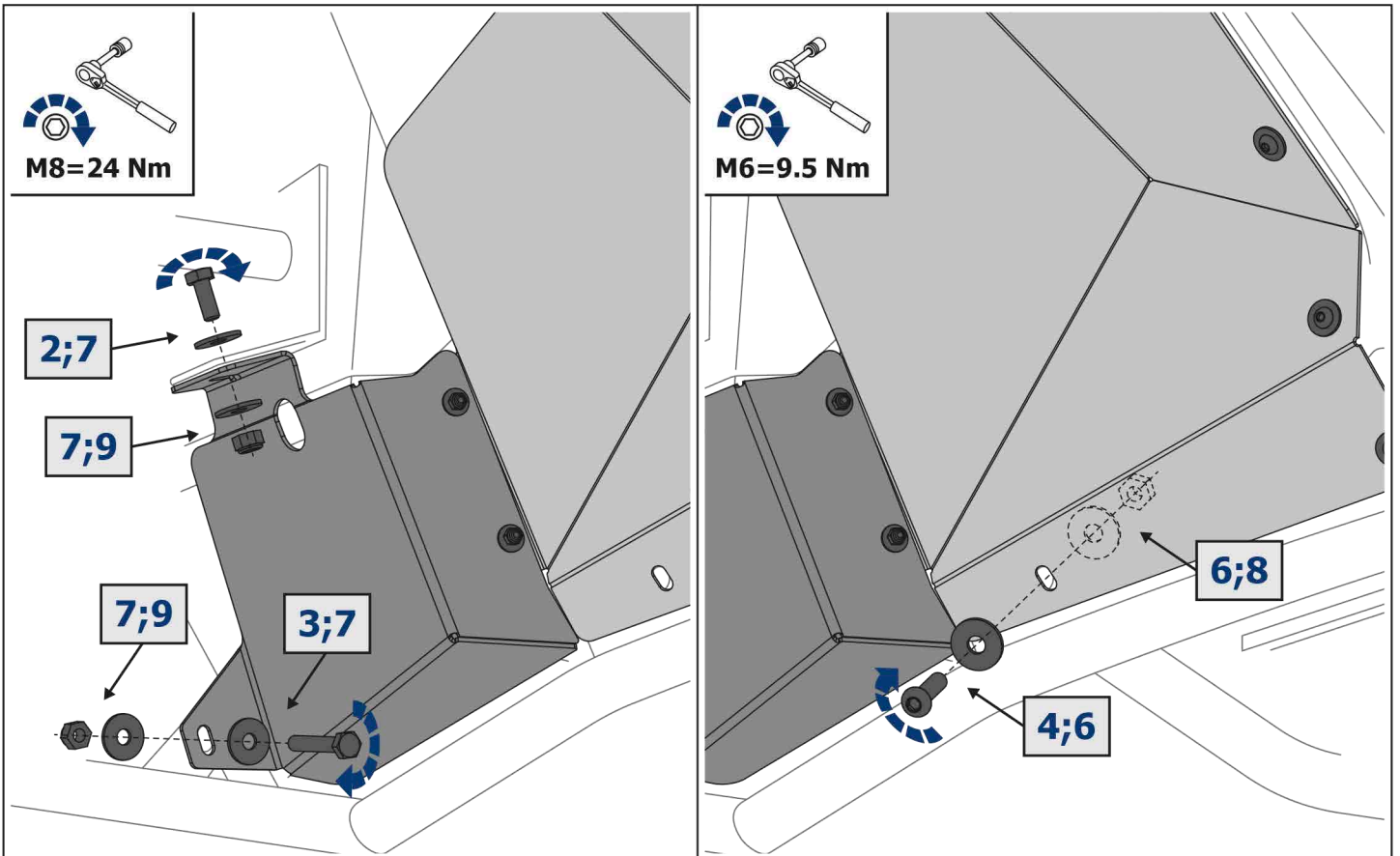


LEFT SIDE

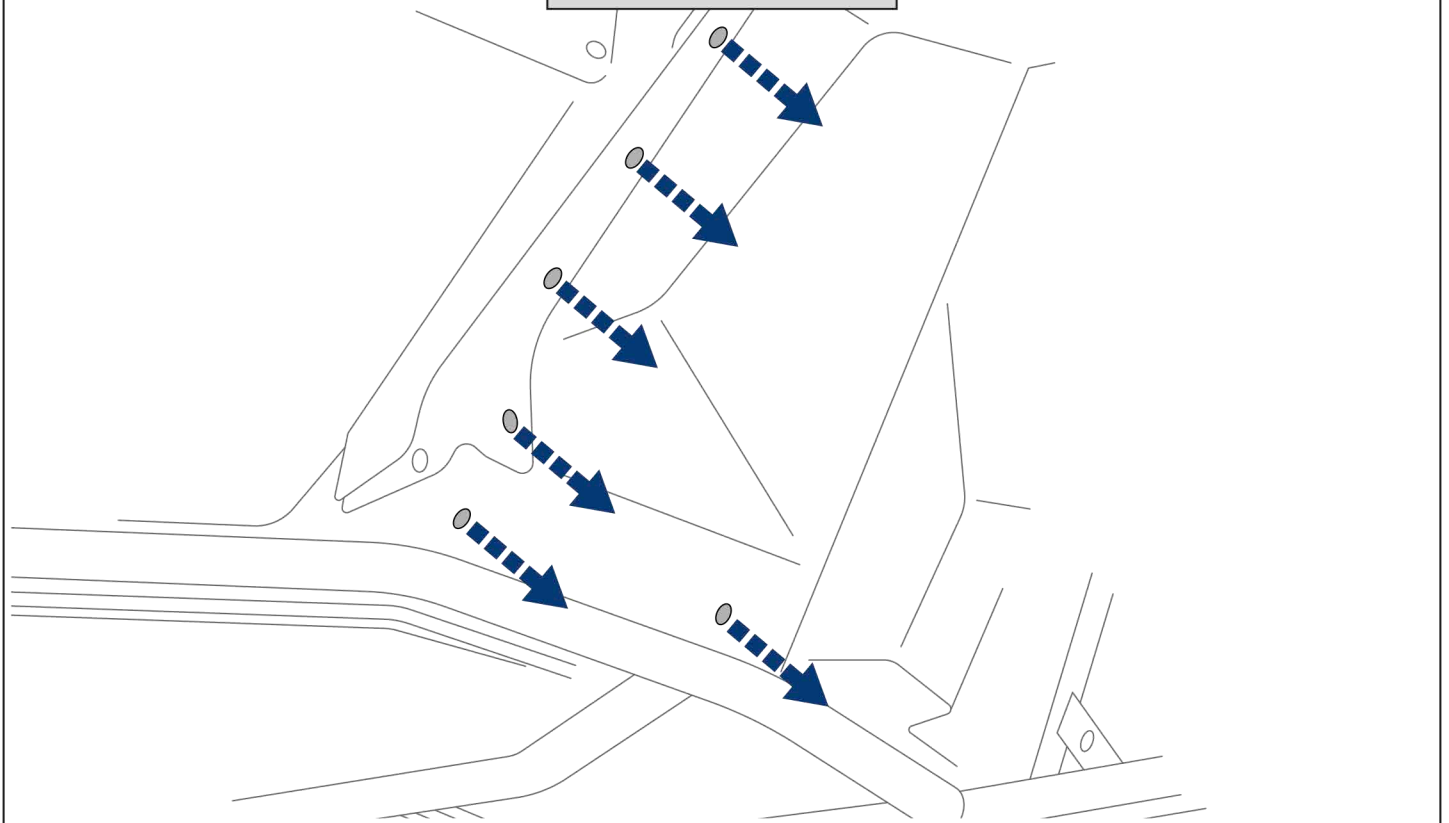


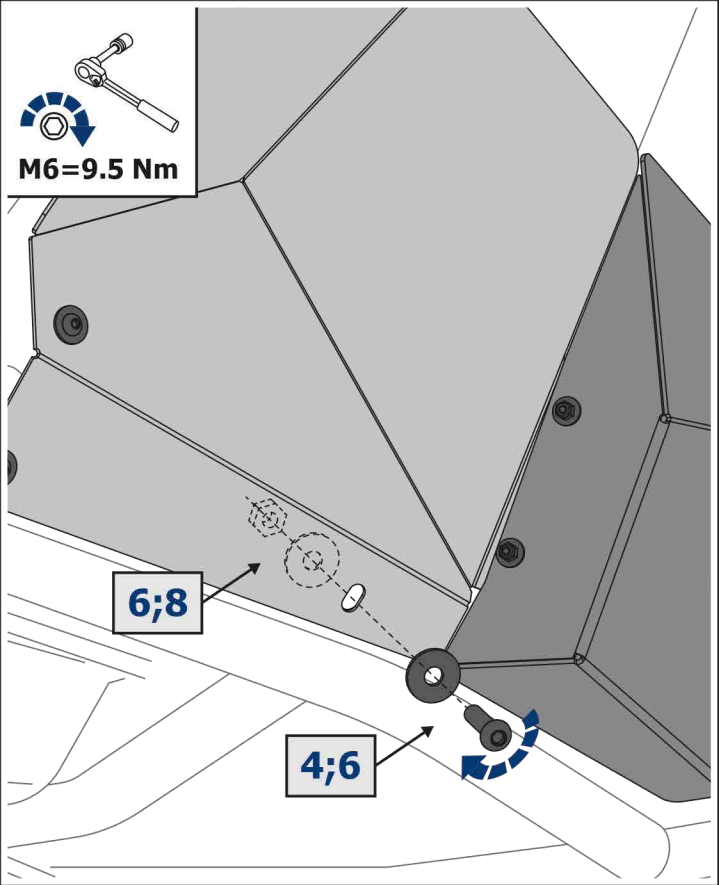
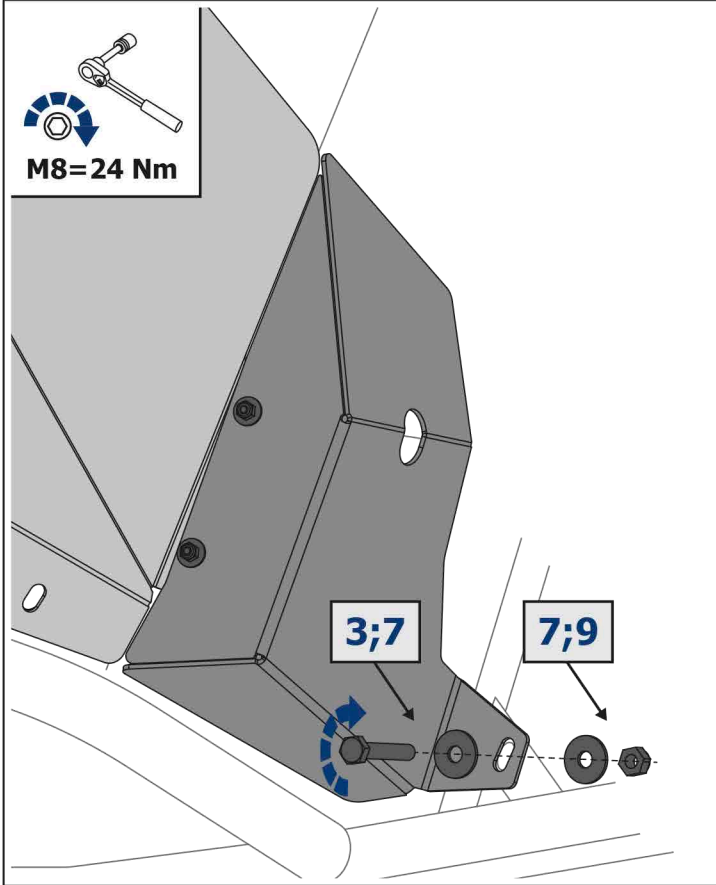
M8=24 Nm

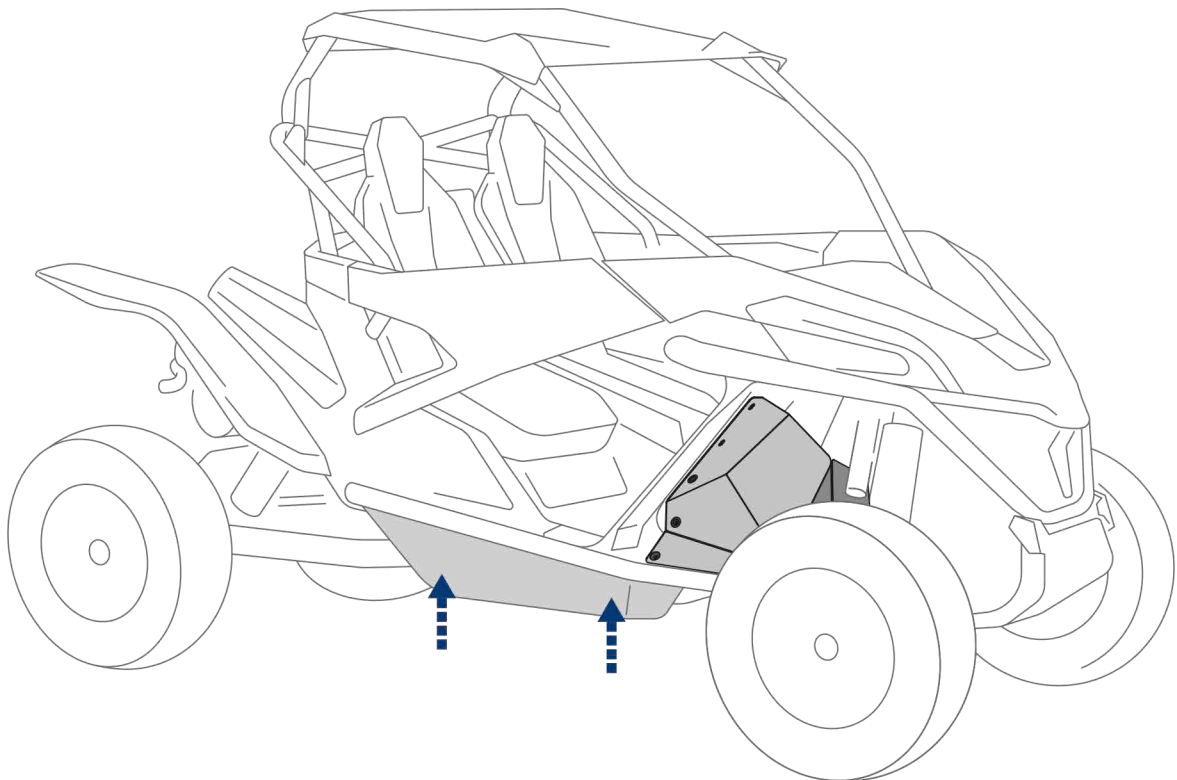
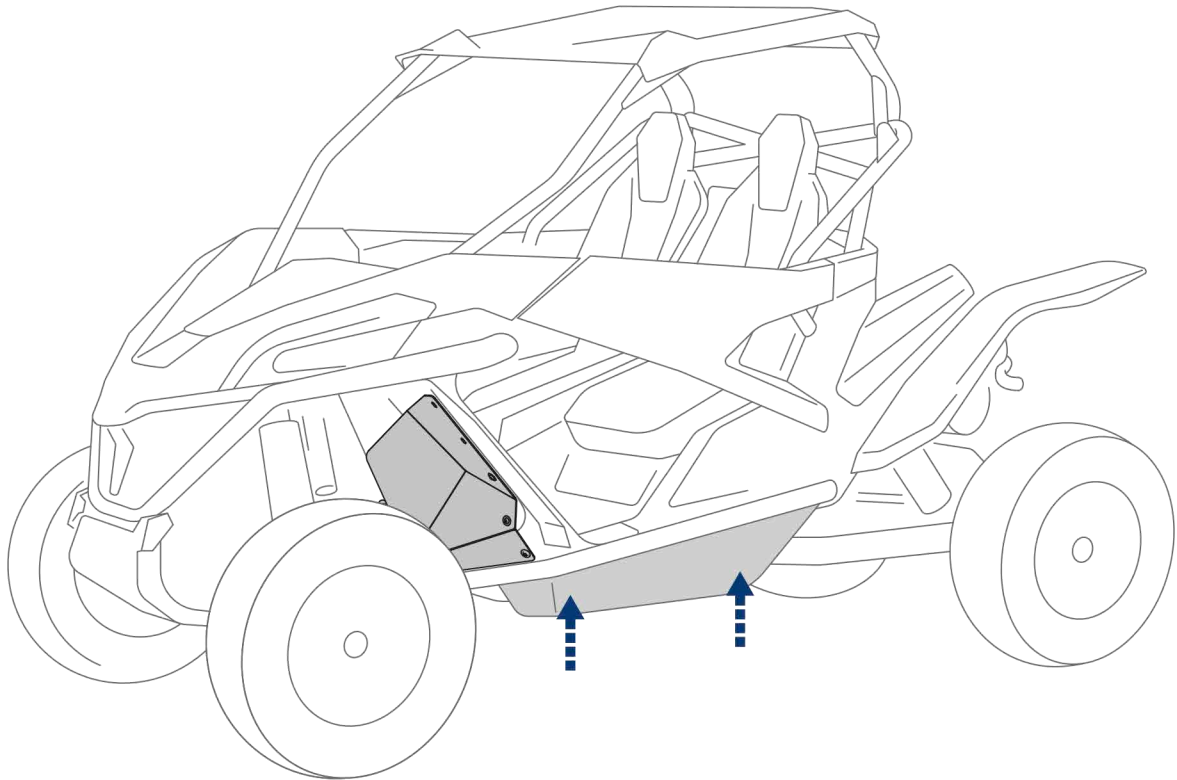




RIGHT SIDE







TIP: PERIODICALLY CHECK ALL HARDWARE AND RE-TIGHTEN IF NEEDED.