

EN **BUMPER KIT INSTALLATION MANUAL**

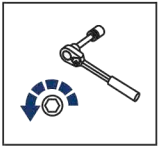
DE **MONTAGEEINLEITUNG FÜR STOBFÄNGER-KIT**



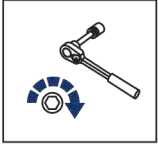
For: CFORCE 400L / 450 / 520 (2015-2022)

2444.8107.1





EN Regular fasteners
DE Originale montageile



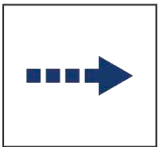
EN Regular fasteners
DE Originale montageile



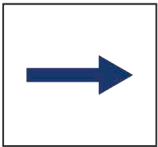
EN Screw a several turns
DE Für wenigen Umdrehungen befestigen



EN Loosen bolts
DE Bolzen lockern



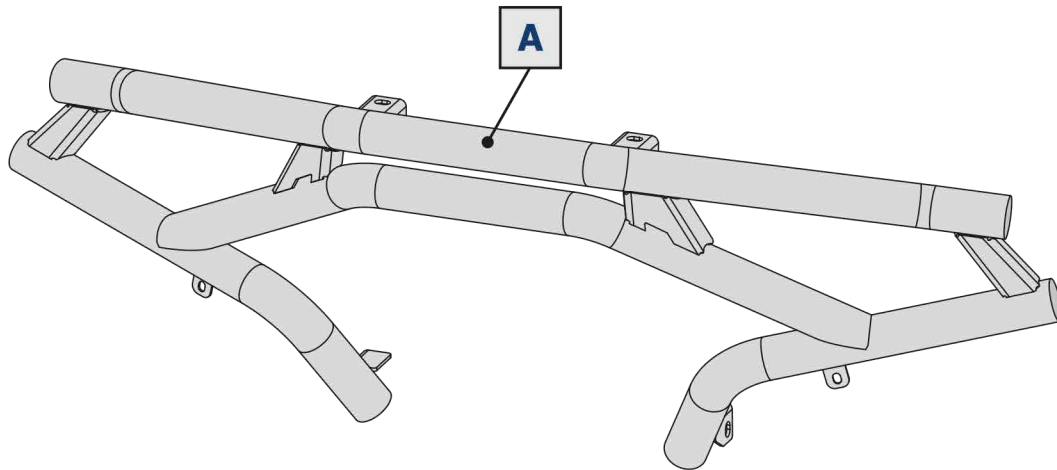
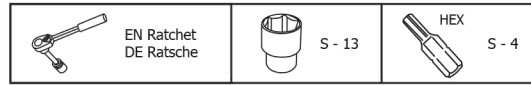
EN Movement Arrow
DE Bewegungsrichtung

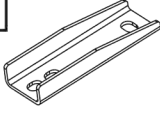
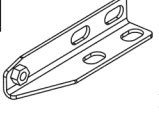
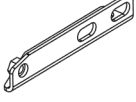
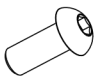
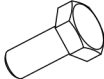





EN Location/Position Arrow
DE Anordnung/Positionsrichtung

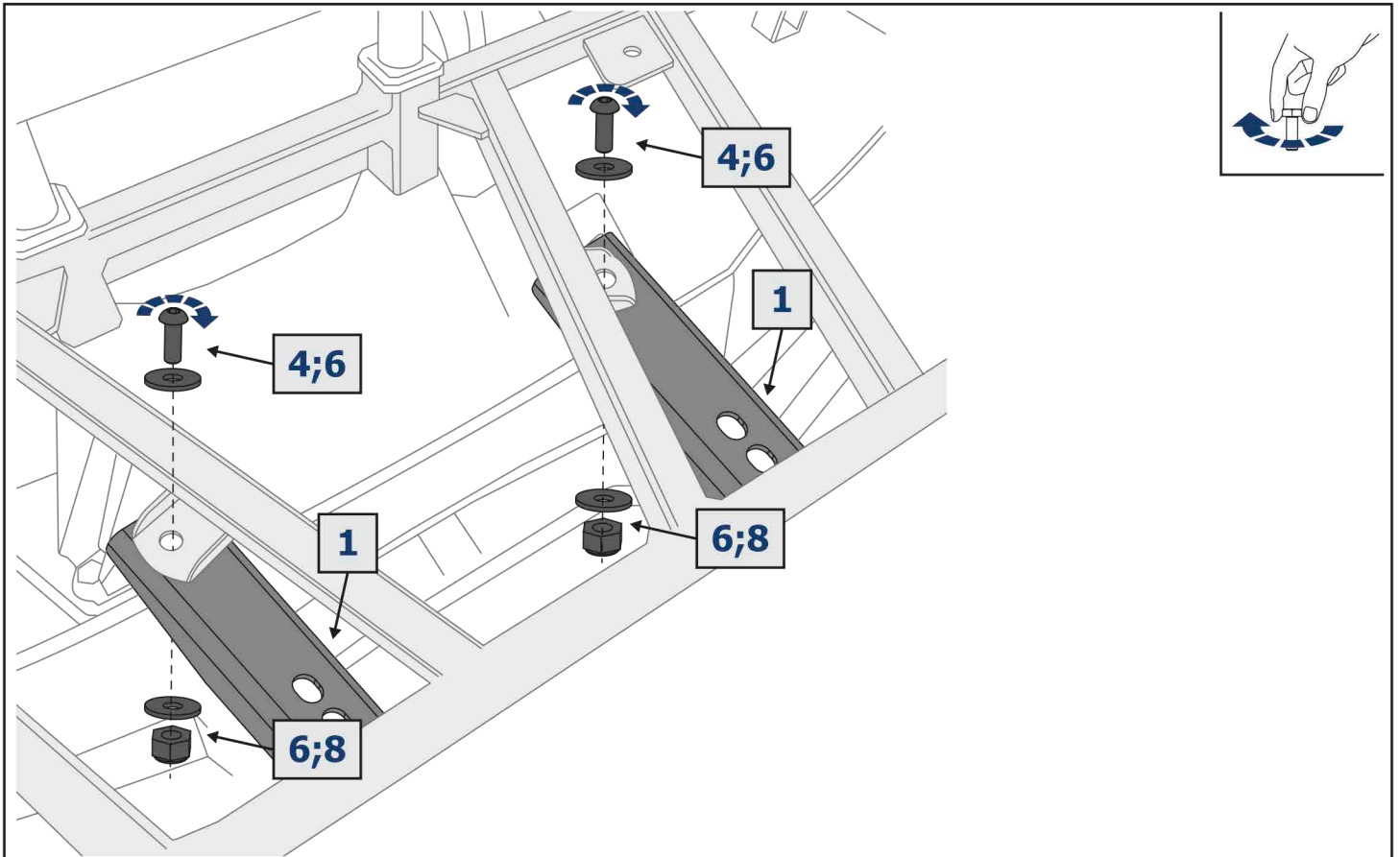


EN Screw Arrow
DE Drehungsrichtung

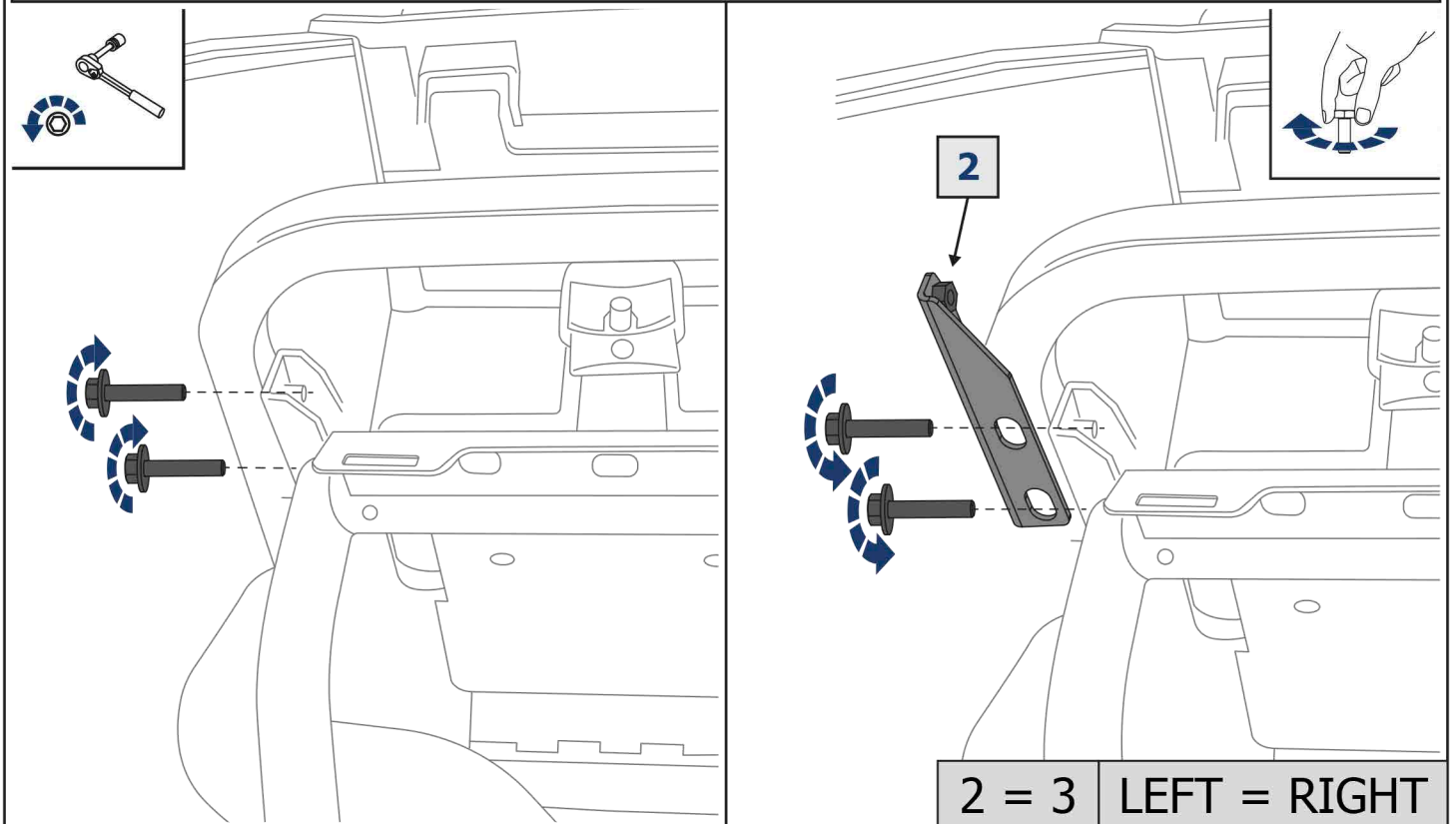


1  x2	2  x1	3  x1	4  M6x16 x6	5  M8x16 x2	6  Ø6 x12
7  Ø8 x2	8  M6 x6				

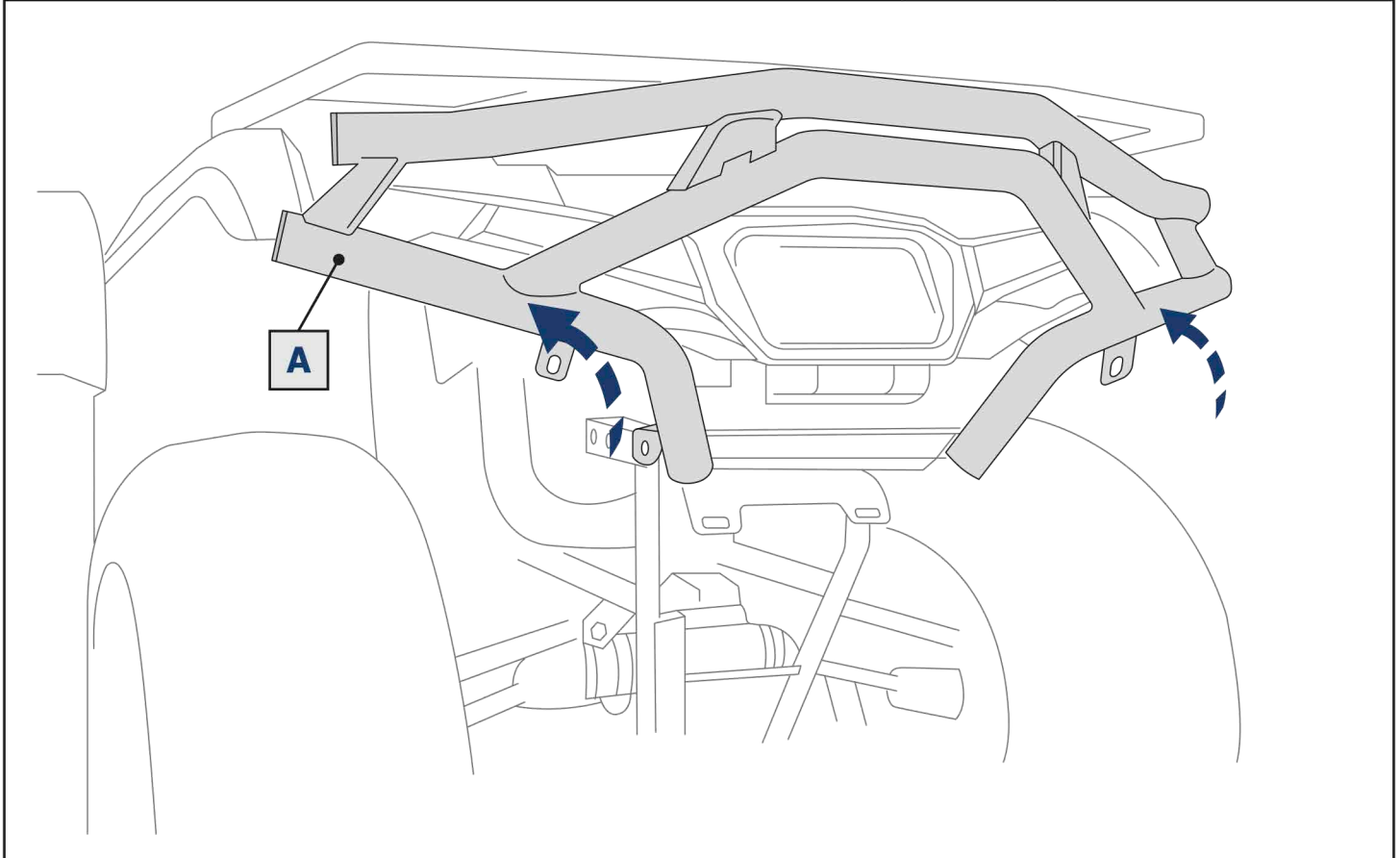
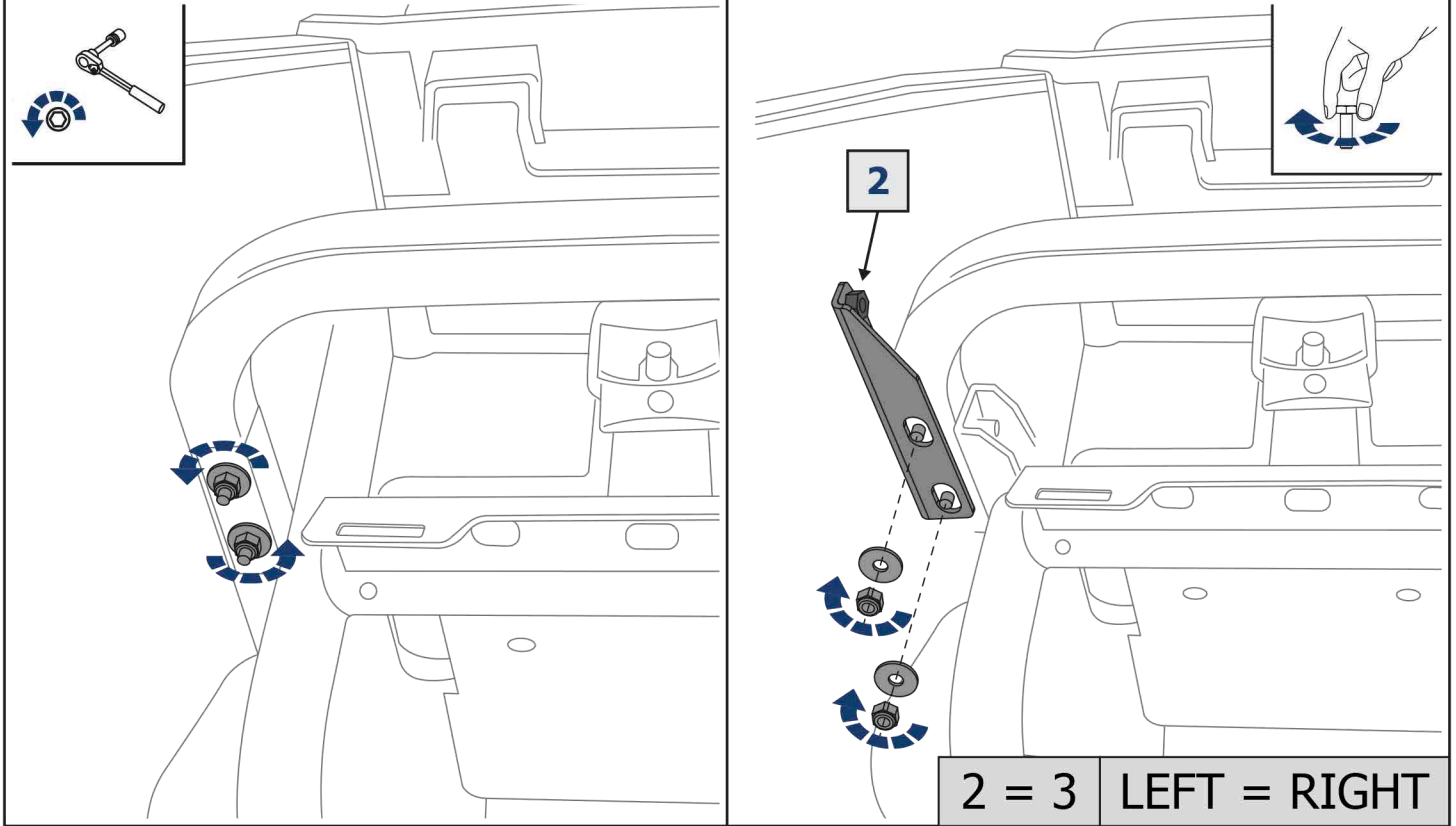
PRE-INSTALLATION: LAY OUT COMPONENTS AND COMPARE TO LIST AND IMAGES. IMAGES MAY NOT PORTRAY THE FULL DETAIL OR EXACT SHAPE OF THE PARTS; HOWEVER, THEY REPRESENT PARTS THAT HAVE SAME OR SIMILAR FUNCTION.

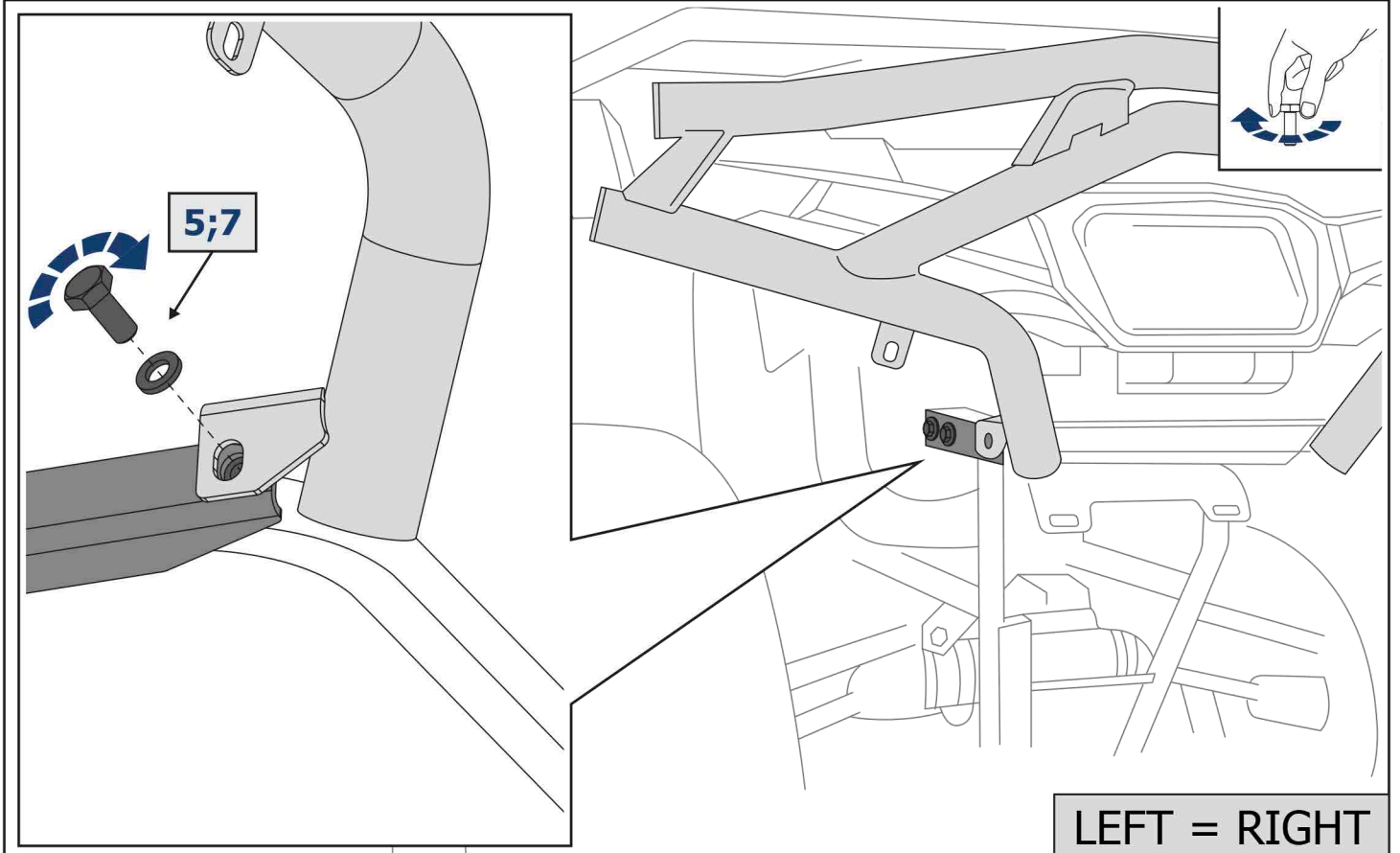
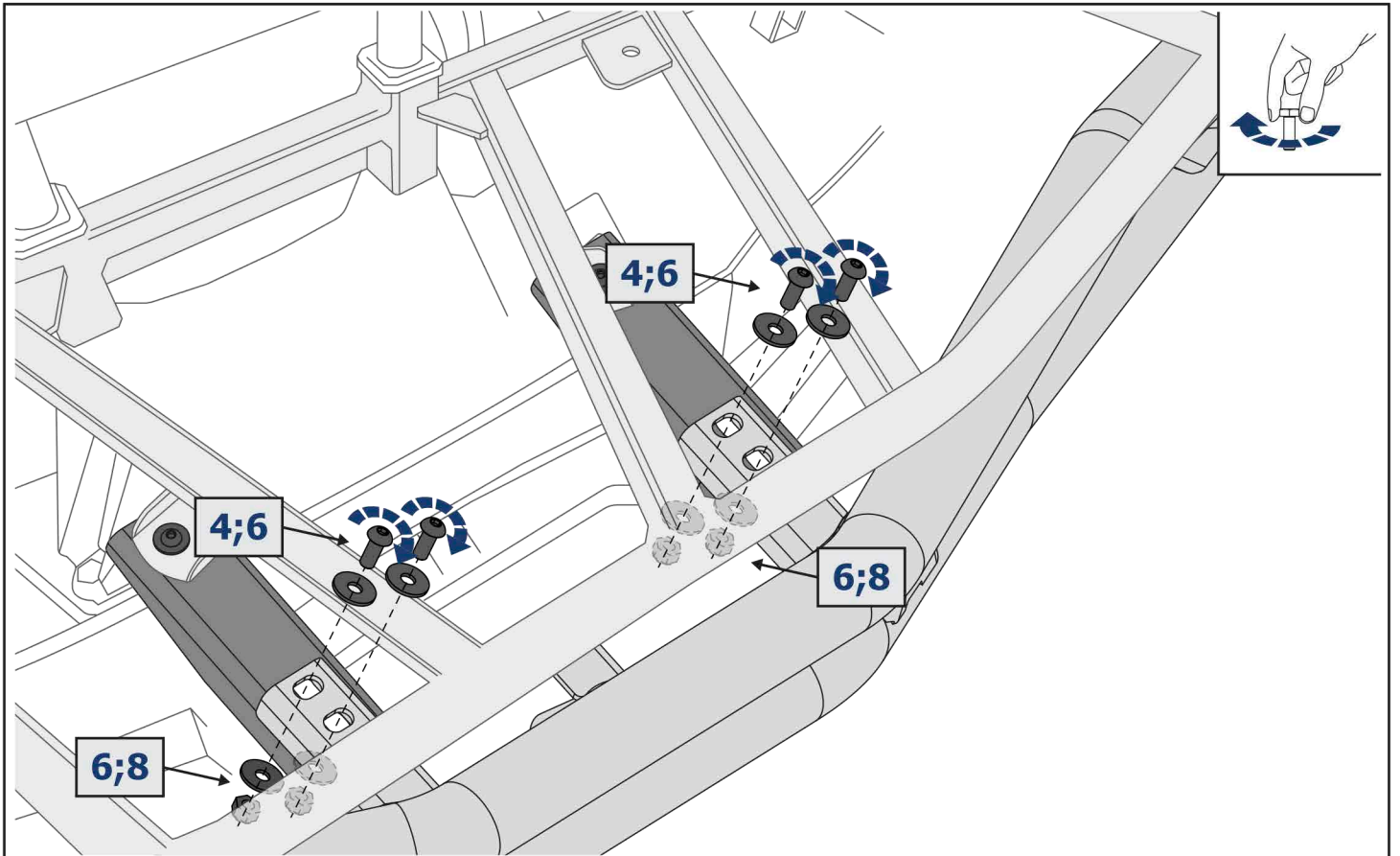


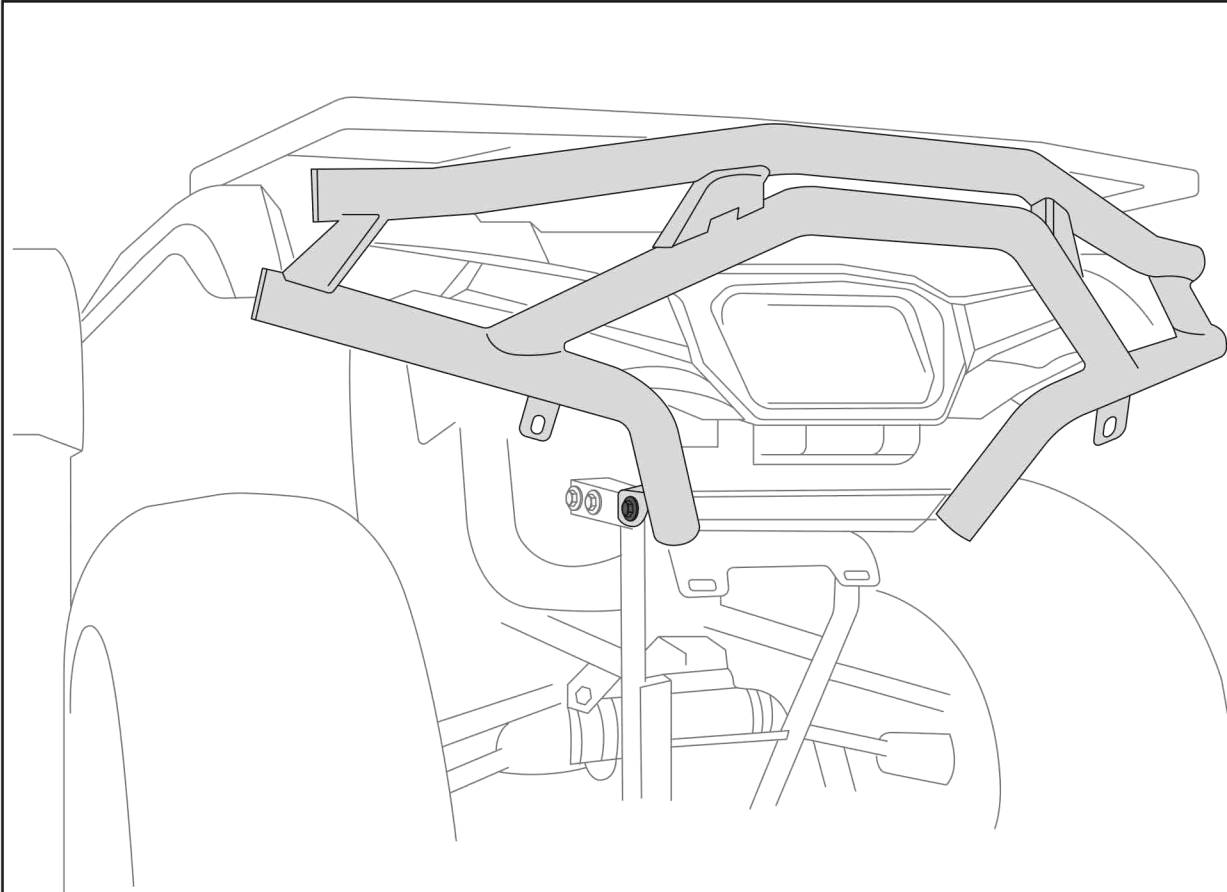
MODEL YEAR 2015-2020



MODEL YEAR 2021 - 2022







M6=9.5 Nm



M8=24 Nm

TIP: PERIODICALLY CHECK ALL HARDWARE AND RE-TIGHTEN IF NEEDED.