

EN **BUMPER KIT INSTALLATION MANUAL**

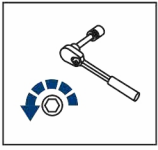
DE **MONTAGEANLEITUNG FÜR STOBFÄNGER KIT**



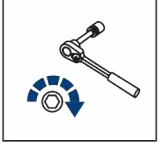
For: Can-Am Defender TX (2016-)

2444.7603.1

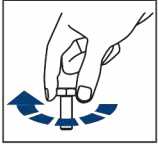




EN Regular fasteners
DE Originale montageteile



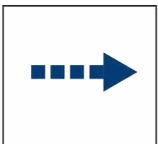
EN Regular fasteners
DE Originale montageteile



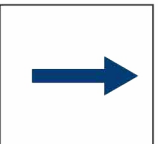
EN Screw a several turns
DE Für wenigen Umdrehungen befestigen



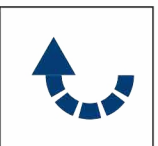
EN Loosen bolts
DE Bolzen lockern



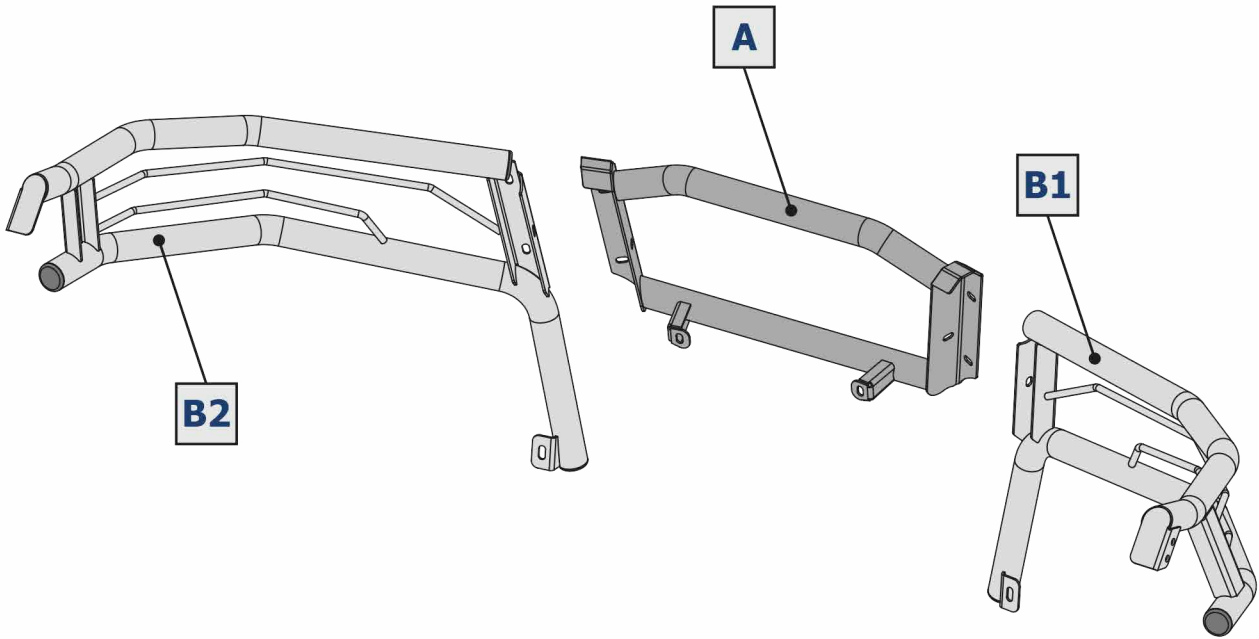
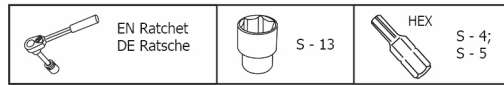
EN Movement Arrow
DE Bewegungsrichtung



EN Location/Position Arrow
DE Anordnung/Positionsrichtung

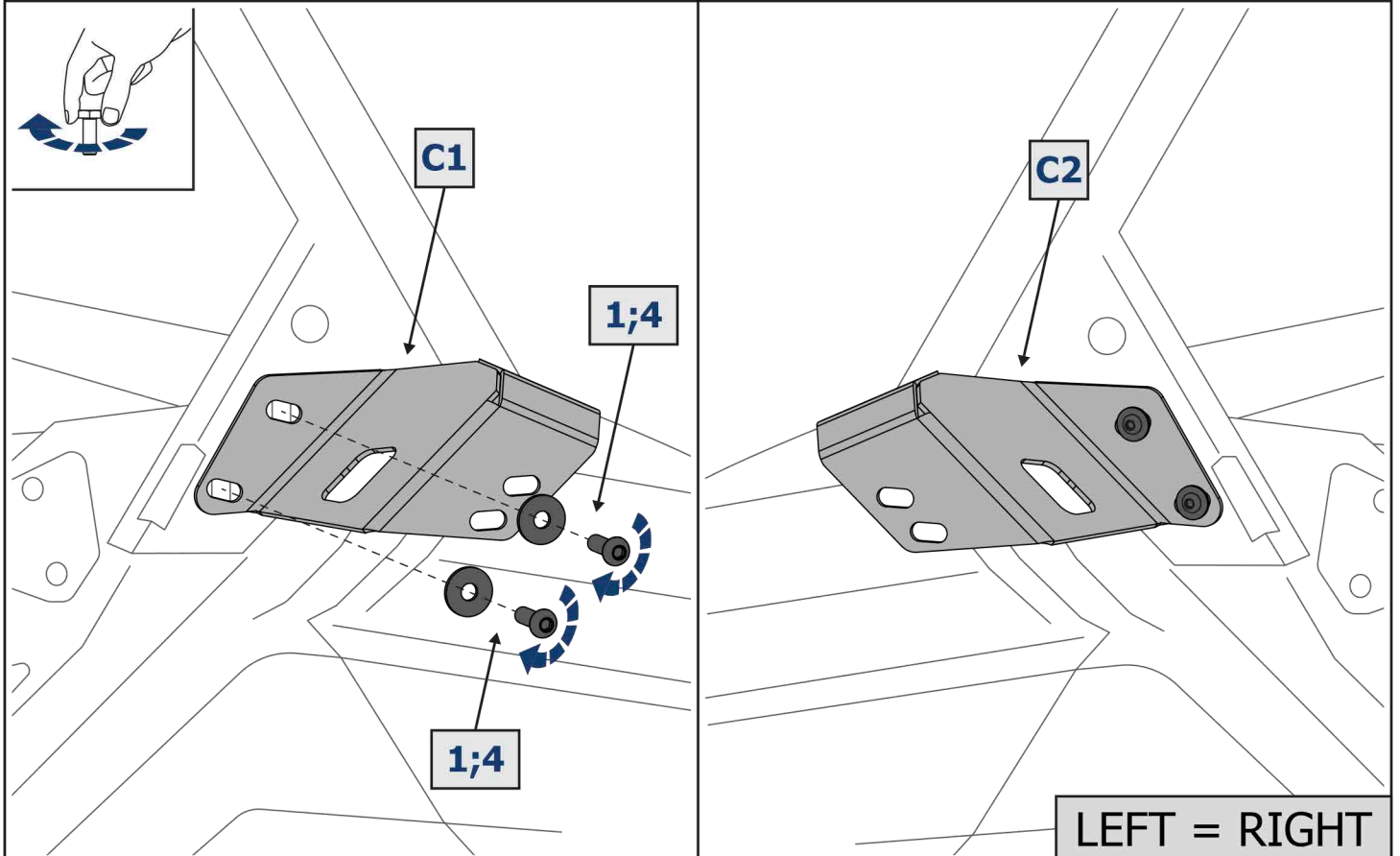
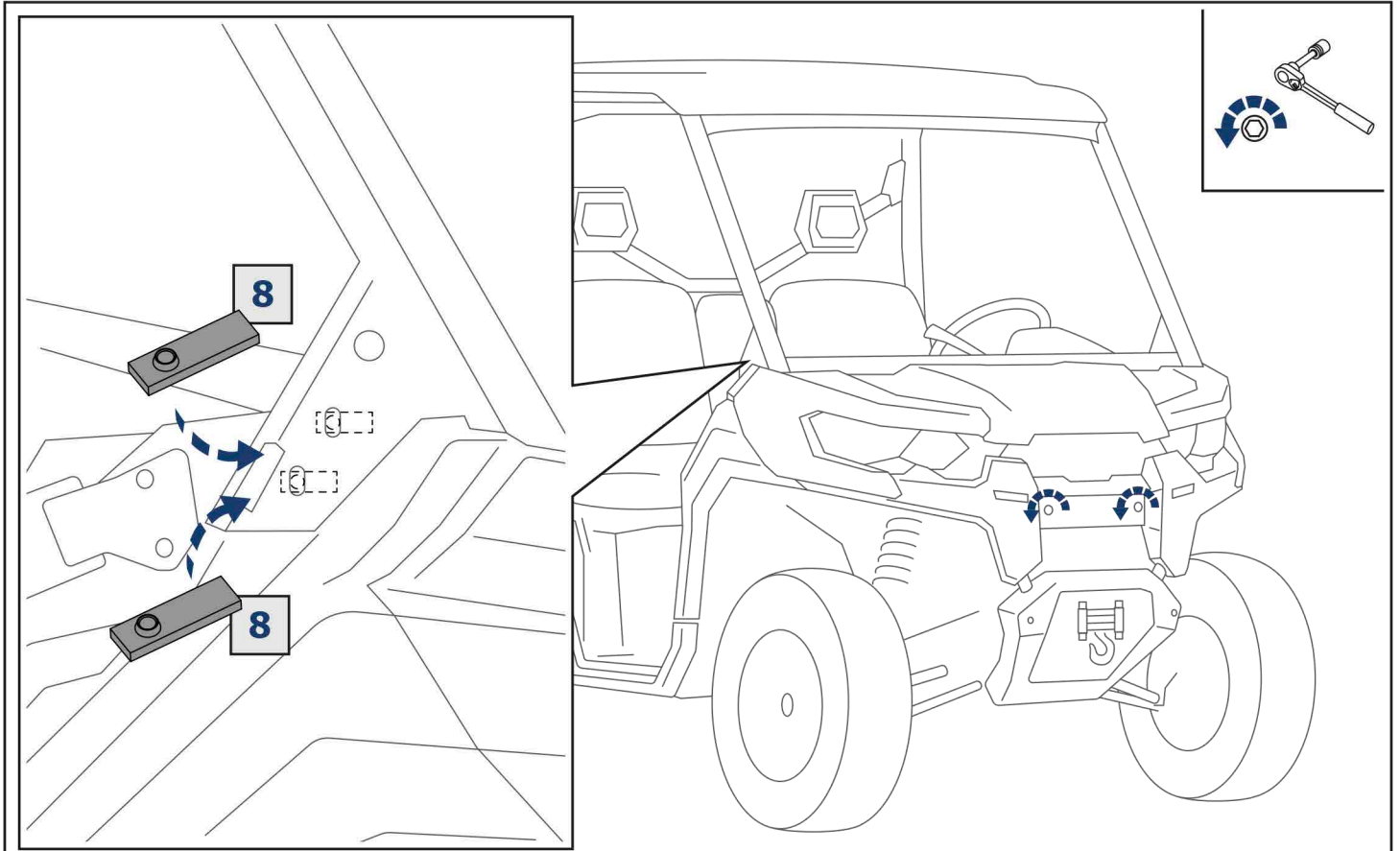


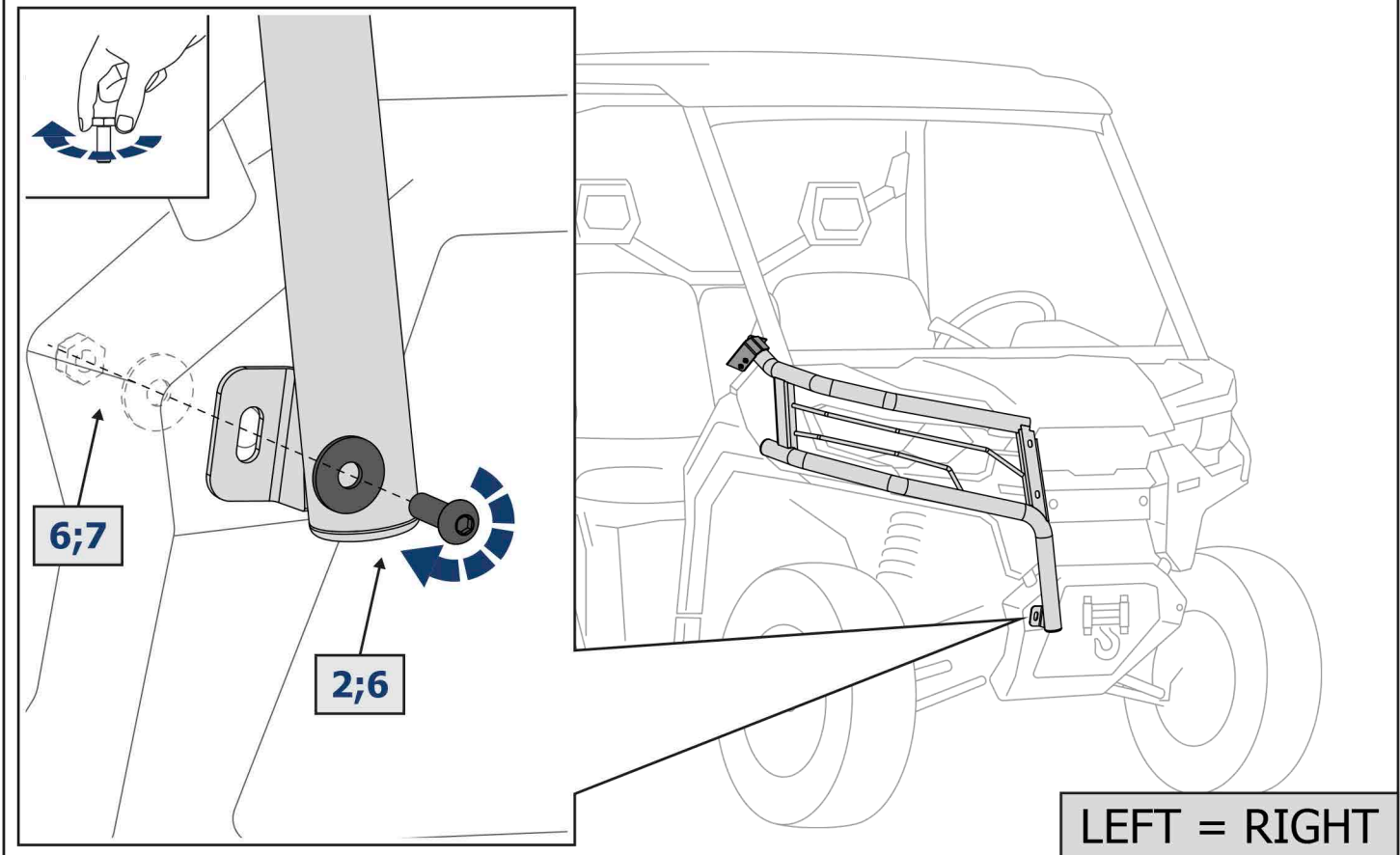
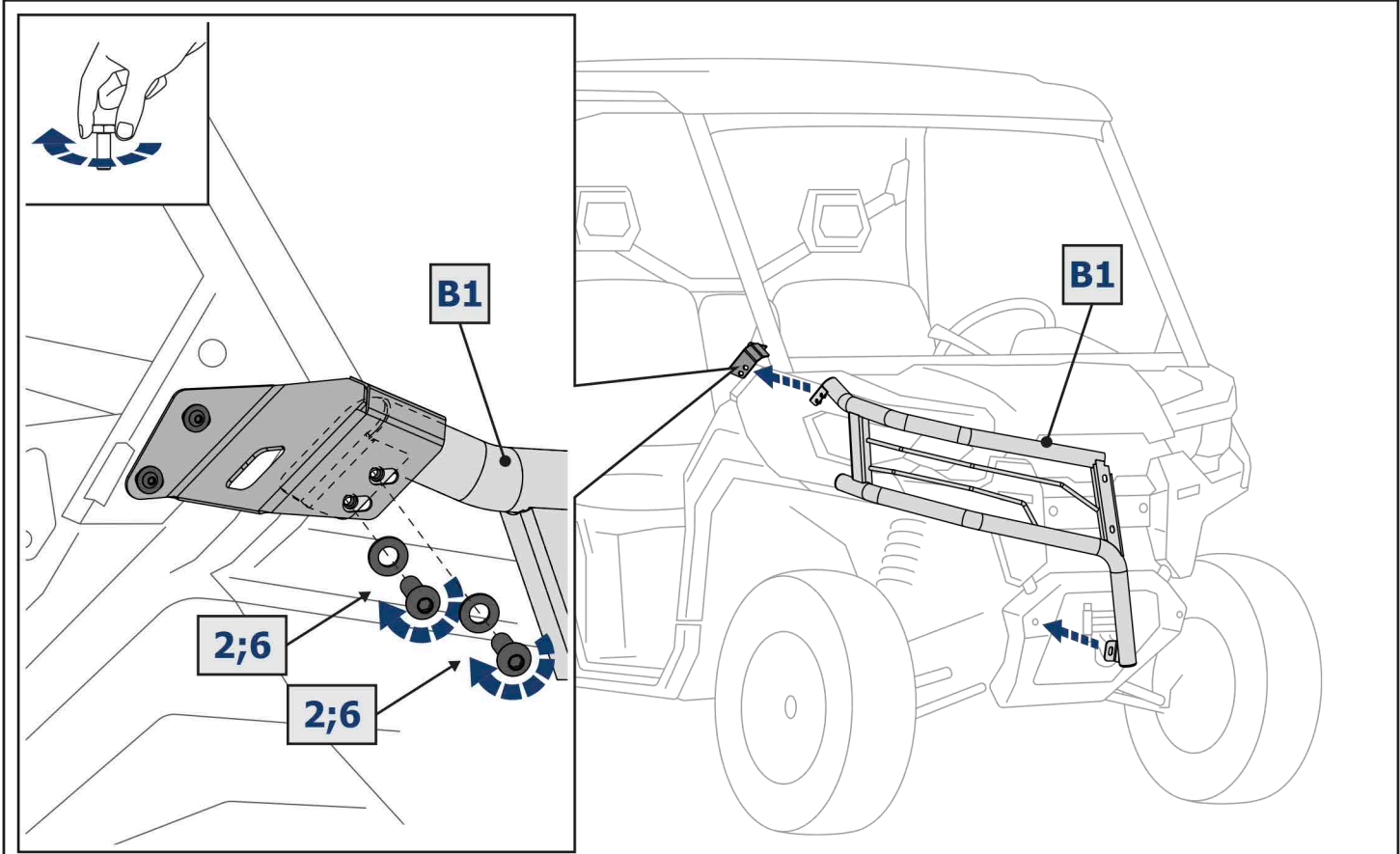
EN Screw Arrow
DE Drehungsrichtung

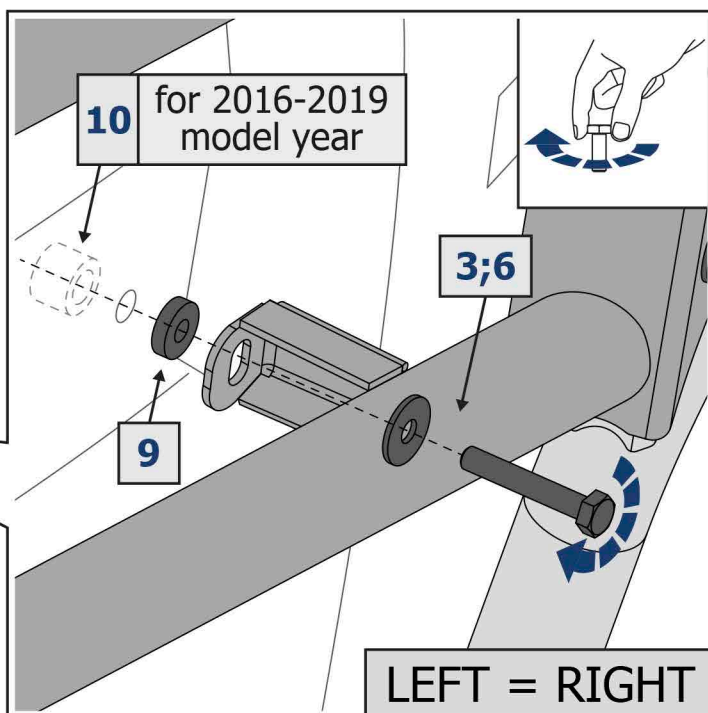
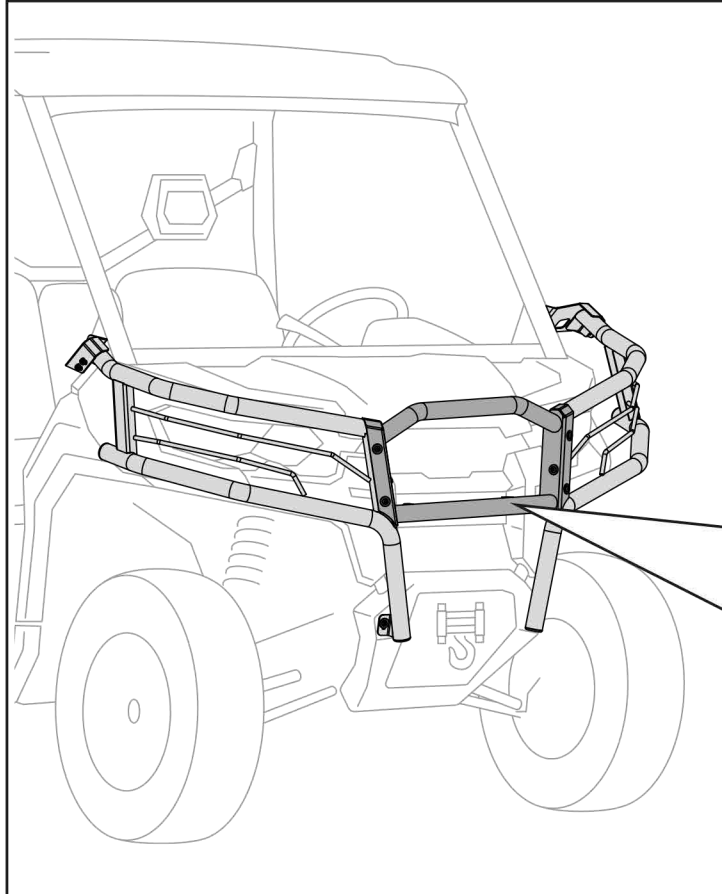
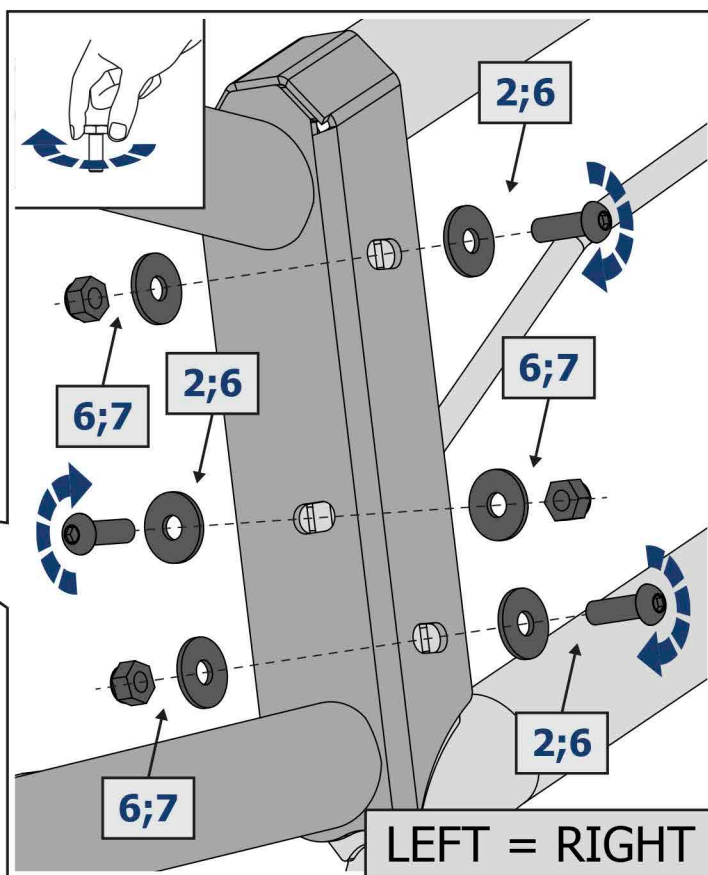
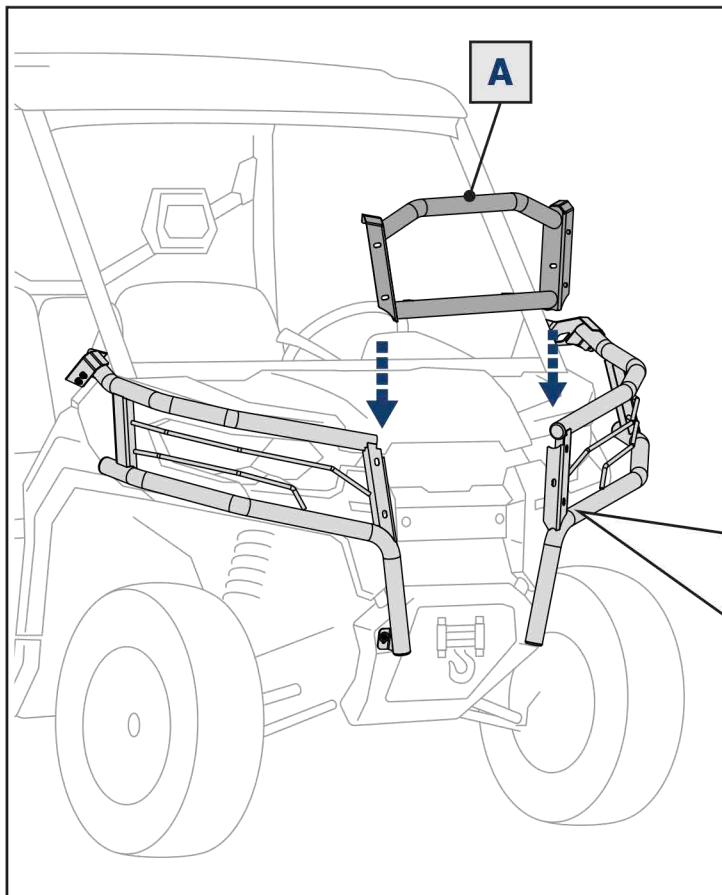


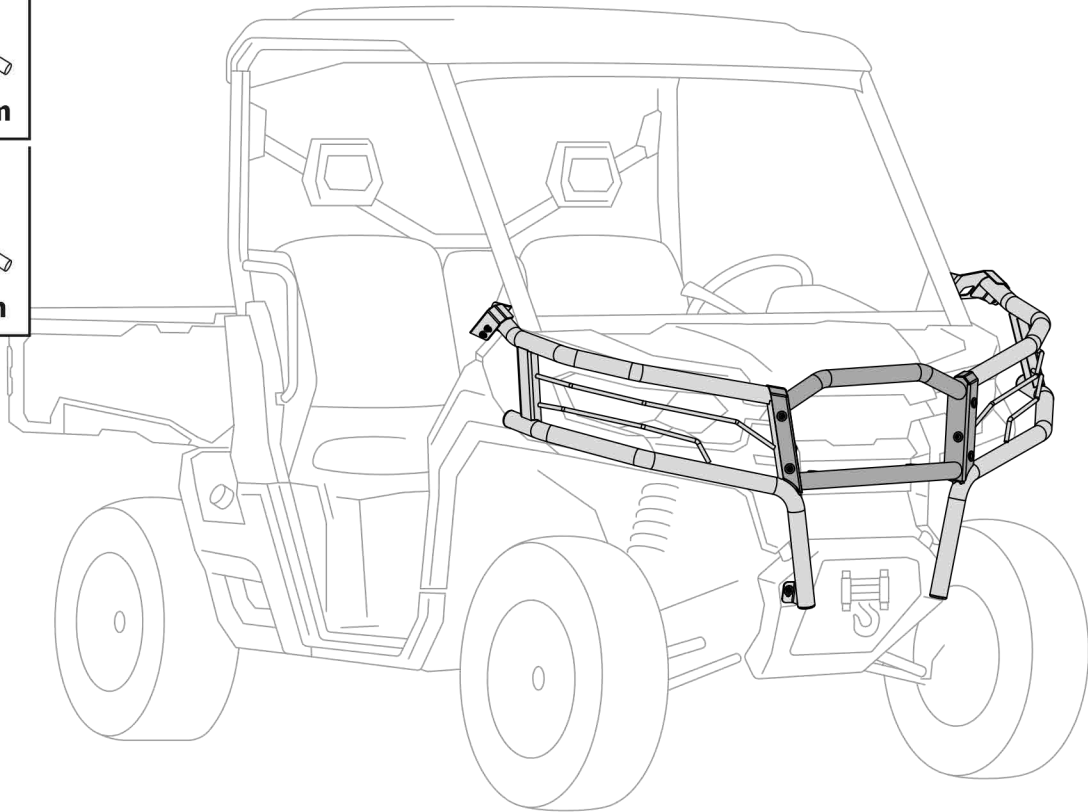
C1 x1	C2 x1	1 M6x20 x4	2 M8x25 x12	3 M8x50 x2	4 Ø6 x4
5 Ø8 x4	6 Ø8 x18	7 M8 x8	8 M6 x4	9 x2	10 x2

PRE-INSTALLATION: LAY OUT COMPONENTS AND COMPARE TO LIST AND IMAGES. IMAGES MAY NOT PORTRAY THE FULL DETAIL OR EXACT SHAPE OF THE PARTS; HOWEVER, THEY REPRESENT PARTS THAT HAVE SAME OR SIMILAR FUNCTION.







**M6=9.5 Nm****M8=24 Nm**

TIP: PERIODICALLY CHECK ALL HARDWARE AND RE-TIGHTEN IF NEEDED.