

EN DOOR KIT INSTALLATION MANUAL

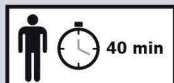
DE MONTAGEEINLEITUNG TÜREN SET

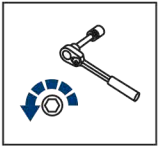
Fitting Video



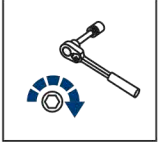
For: Polaris Ranger SP570 (2022)

2444.7495.1





EN Regular fasteners
DE Originale montageteile



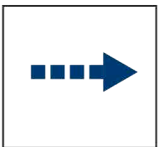
EN Regular fasteners
DE Originale montageteile



EN Screw a several turns
DE Für wenigen Umdrehungen befestigen



EN Loosen bolts
DE Bolzen lockern



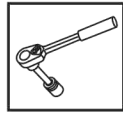
EN Movement Arrow
DE Bewegungsrichtung



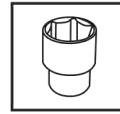
EN Location/Position Arrow
DE Anordnung/Positionsrichtung



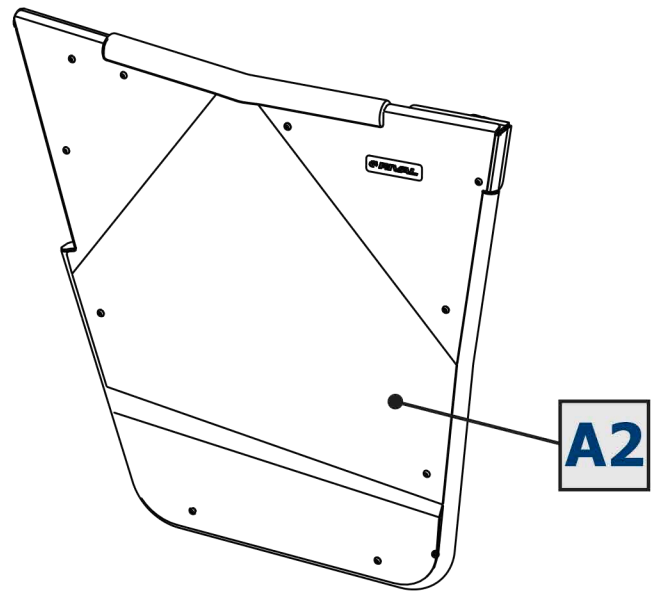
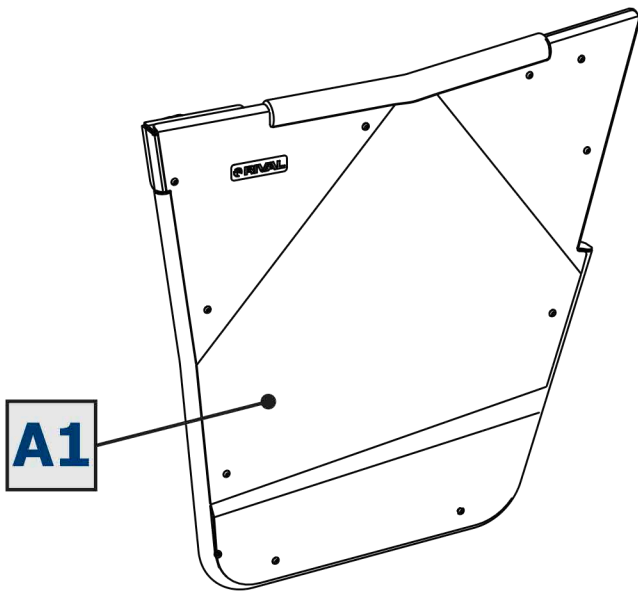
EN Screw Arrow
DE Drehungsrichtung

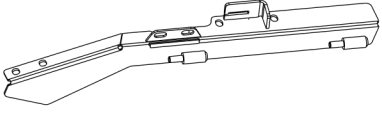
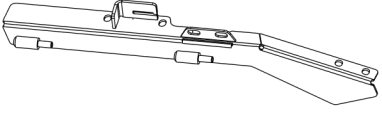
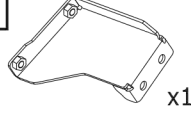
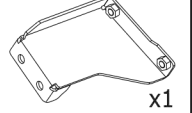
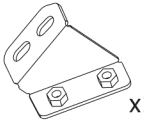
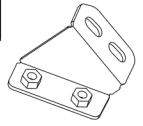
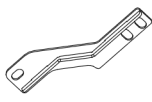
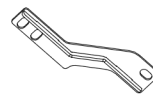
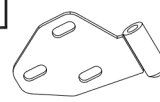
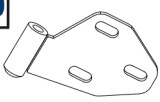
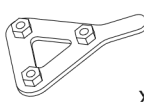

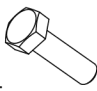
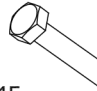

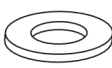



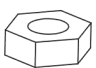
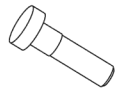





EN Ratchet
DE Ratsche

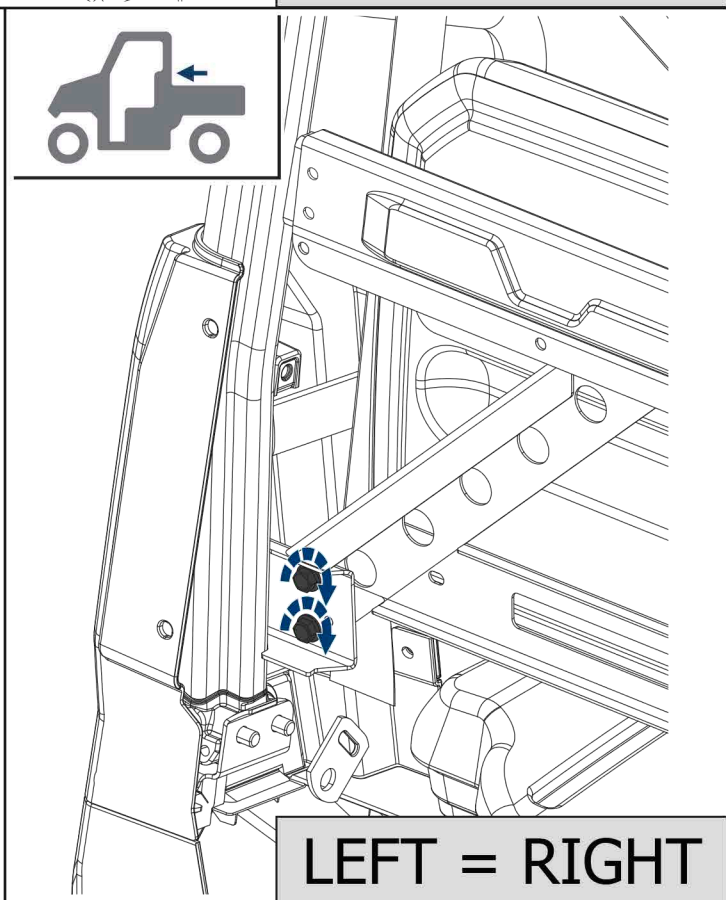
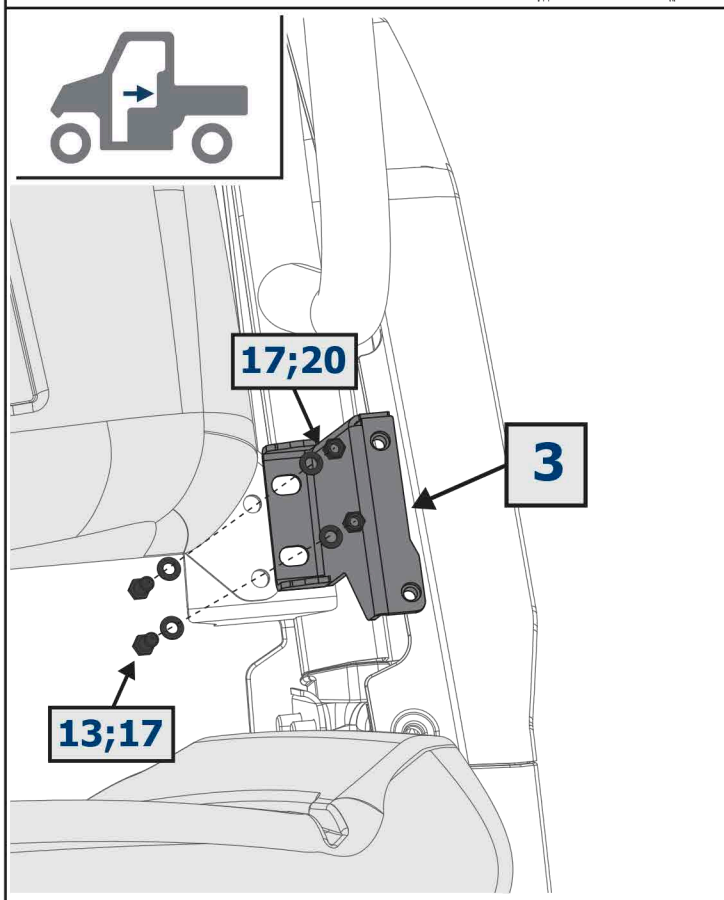
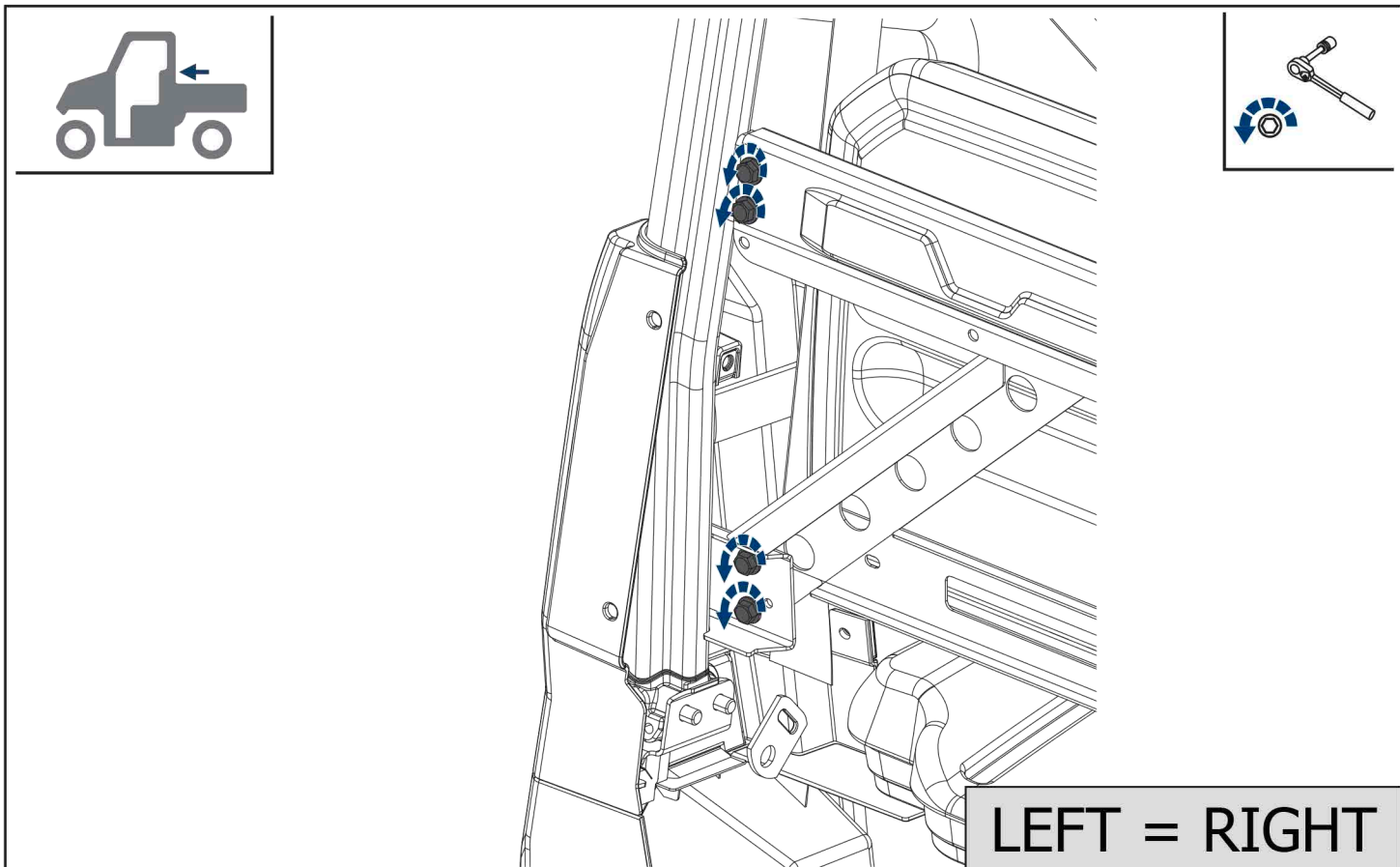


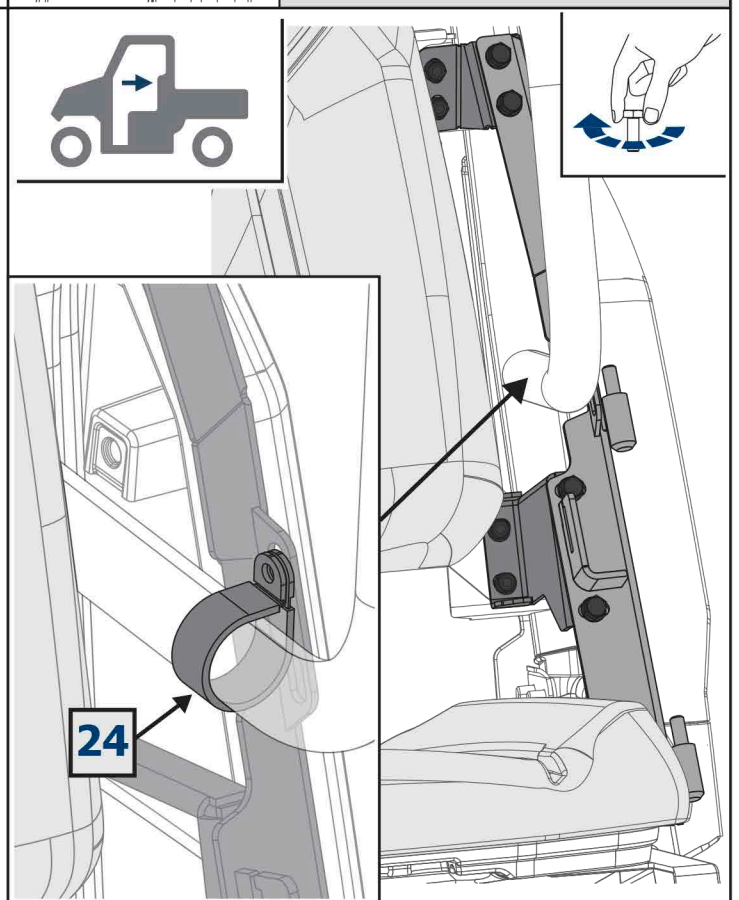
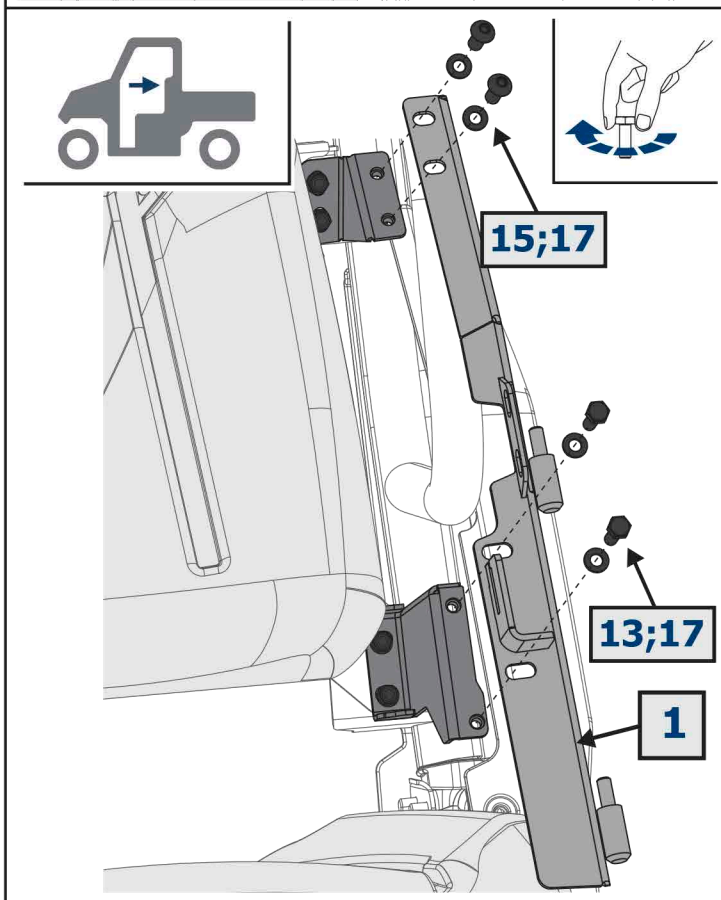
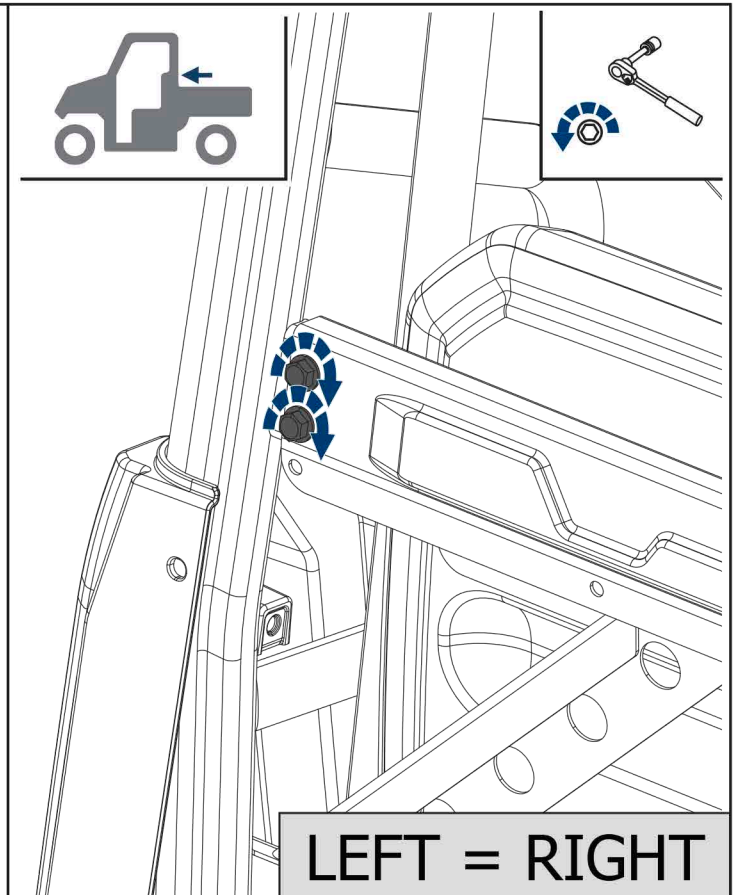
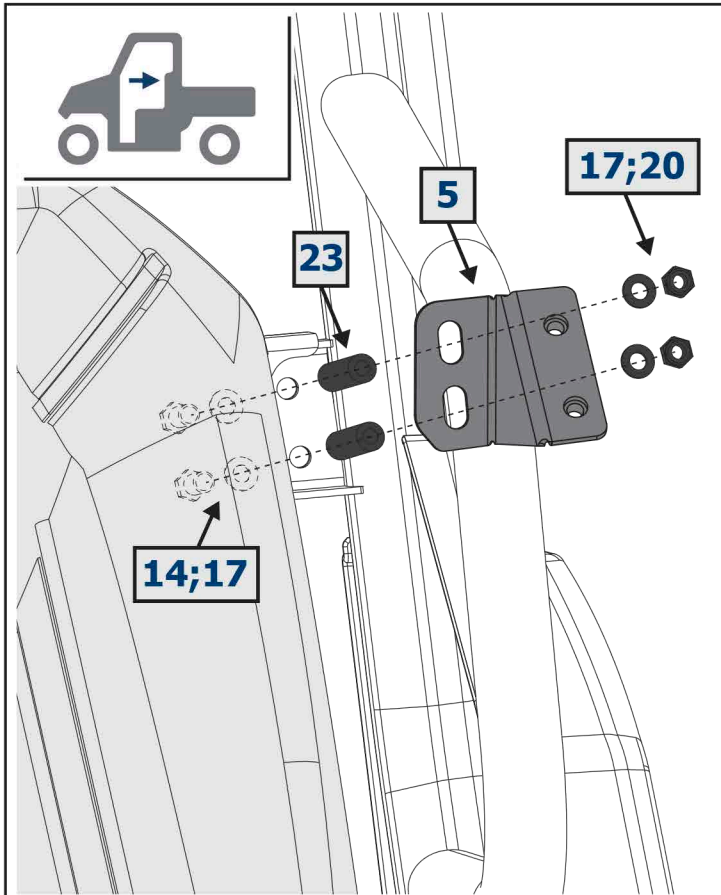
S - 10;
S - 17

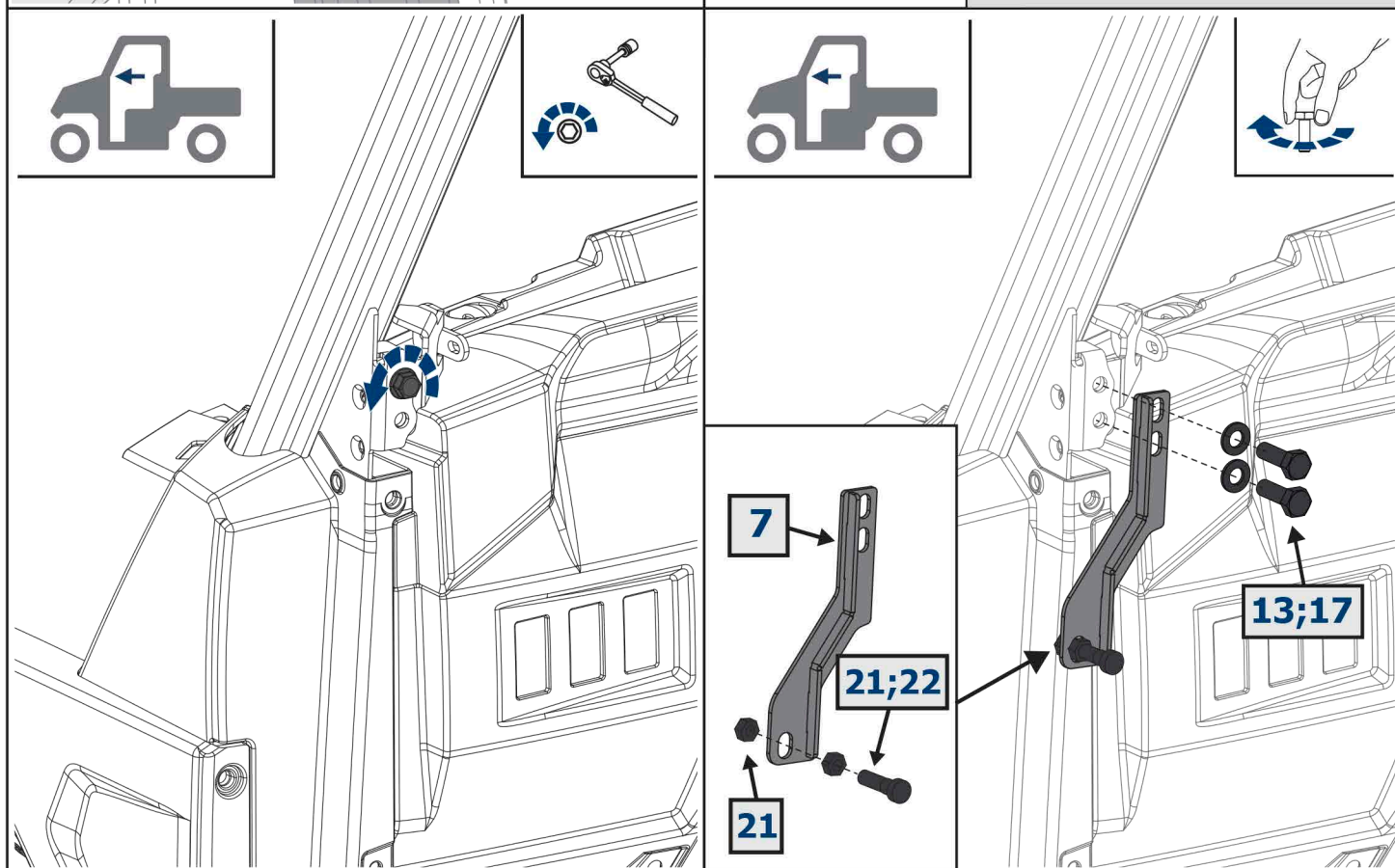
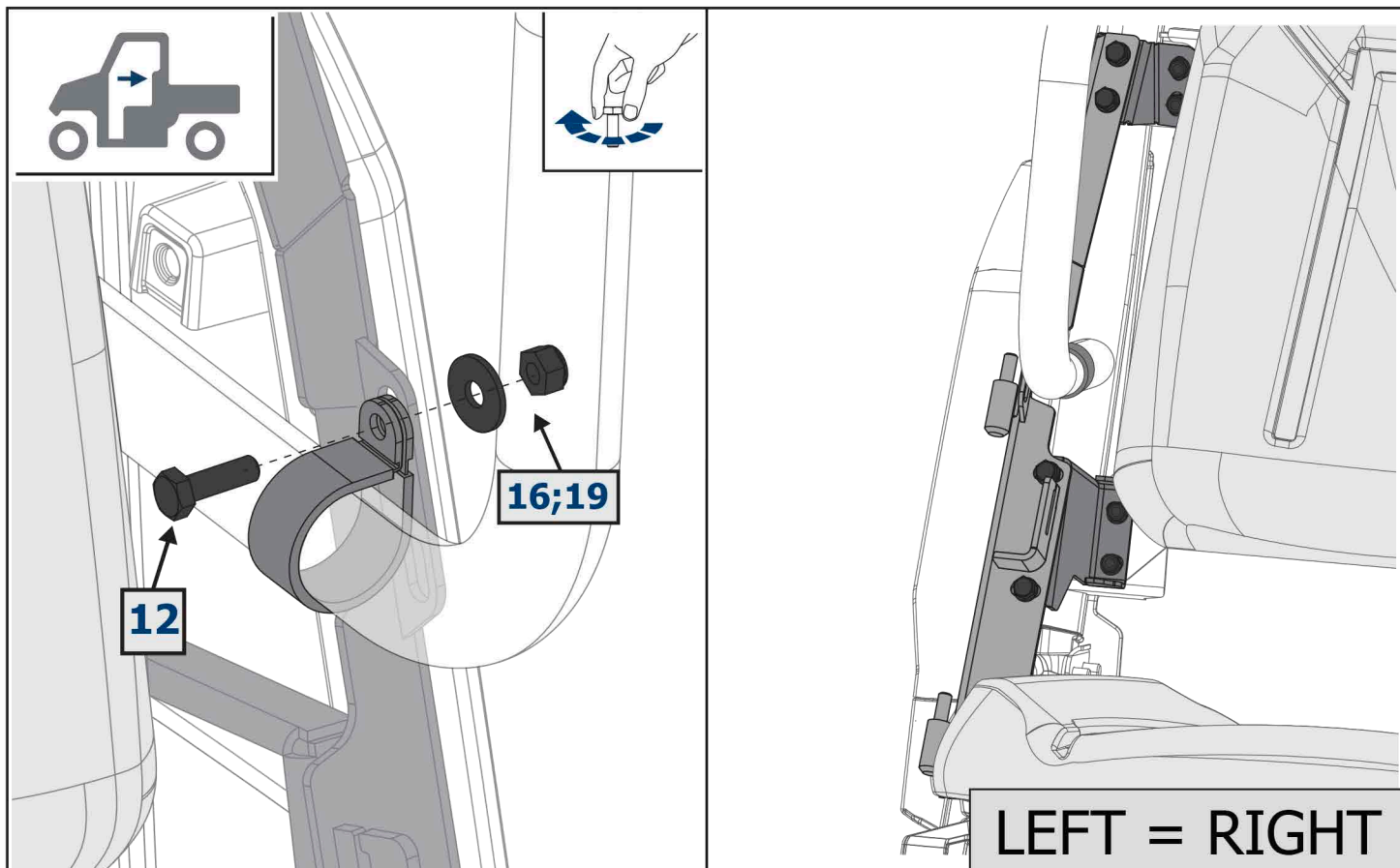


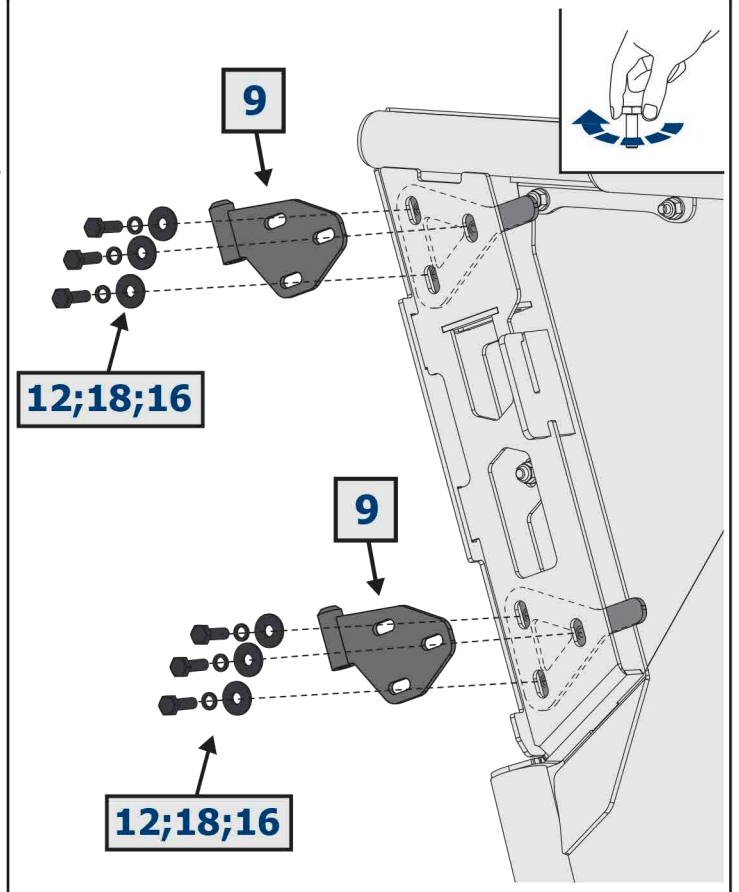
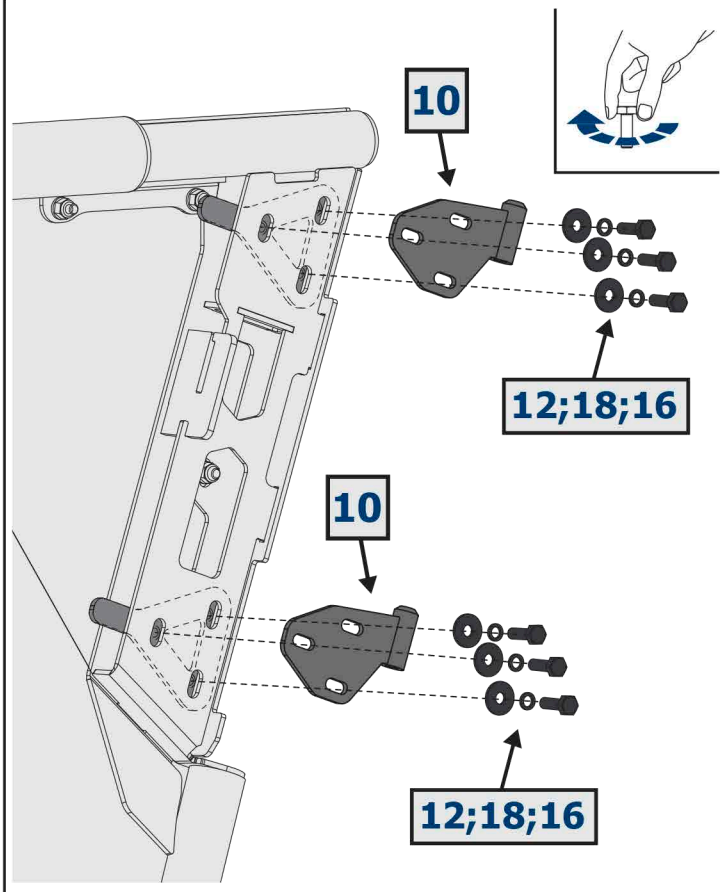
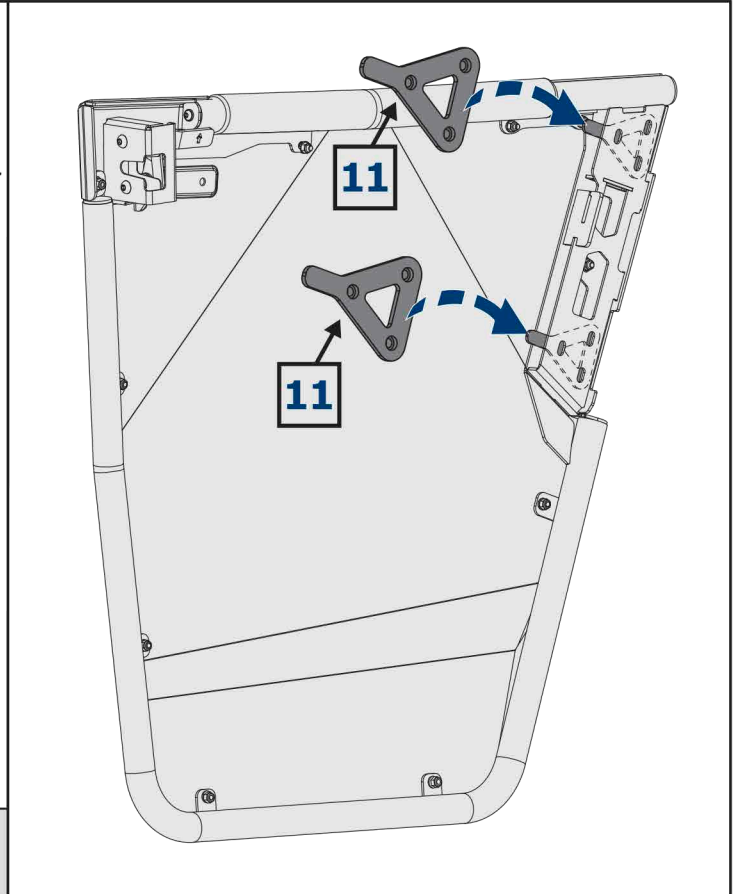
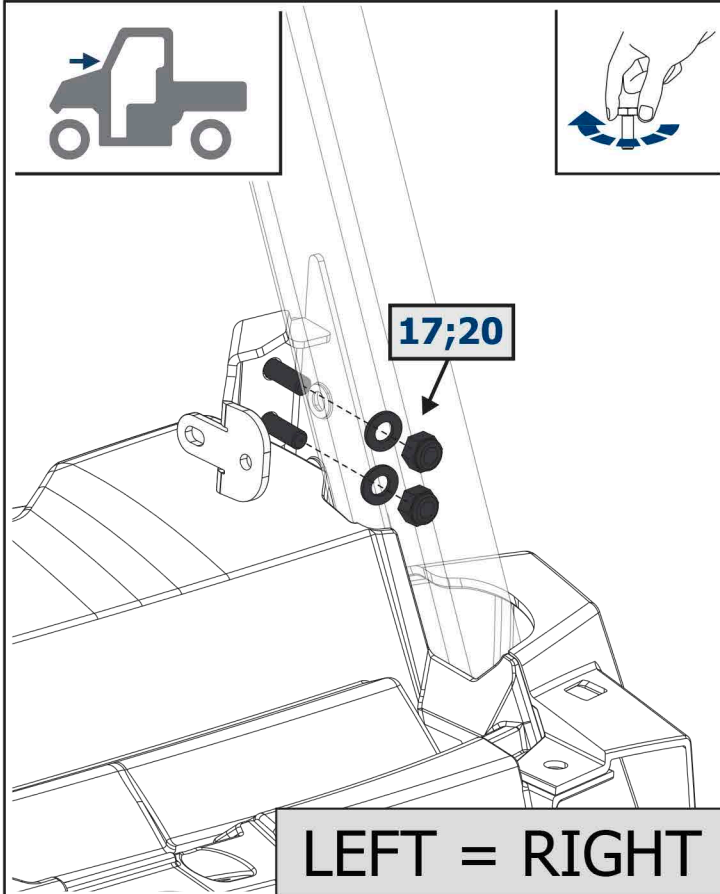
1			2			3			4					
	x1			x1			x1			M6 x1				
5		6		7		8		9			10			
	x1		x1		x1		x1		x2			x2		
11			12			13			14			15		
	x4			M6x20 x14			M8x25 x12			M8x45 x4			M8x16 x4	
17			18			19			20			21		
	ø8 x32			ø6 x12			M6 x2			M8 x12			M10 x4	
22			23			24			25					
	x2			x4			x2			x2				

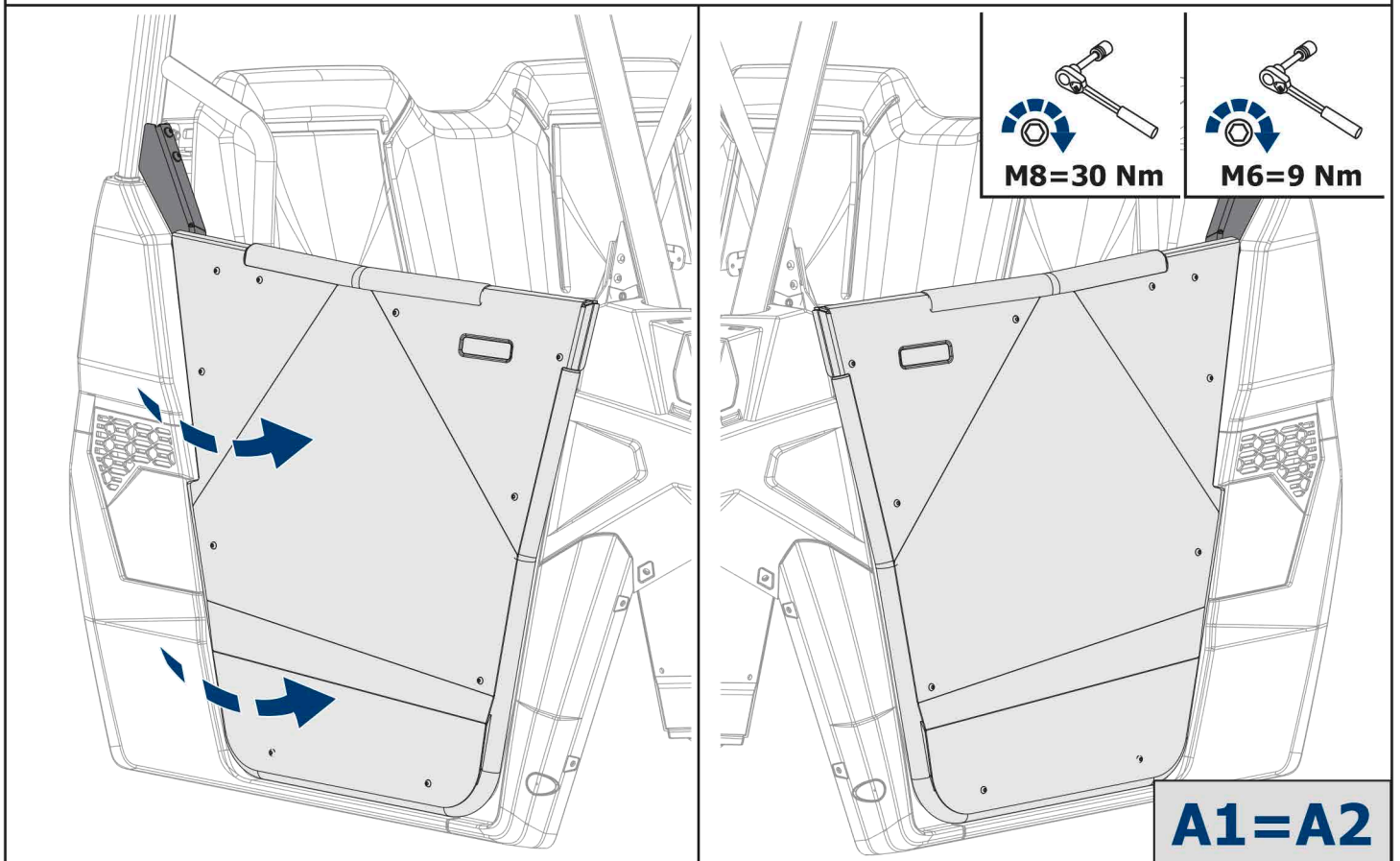
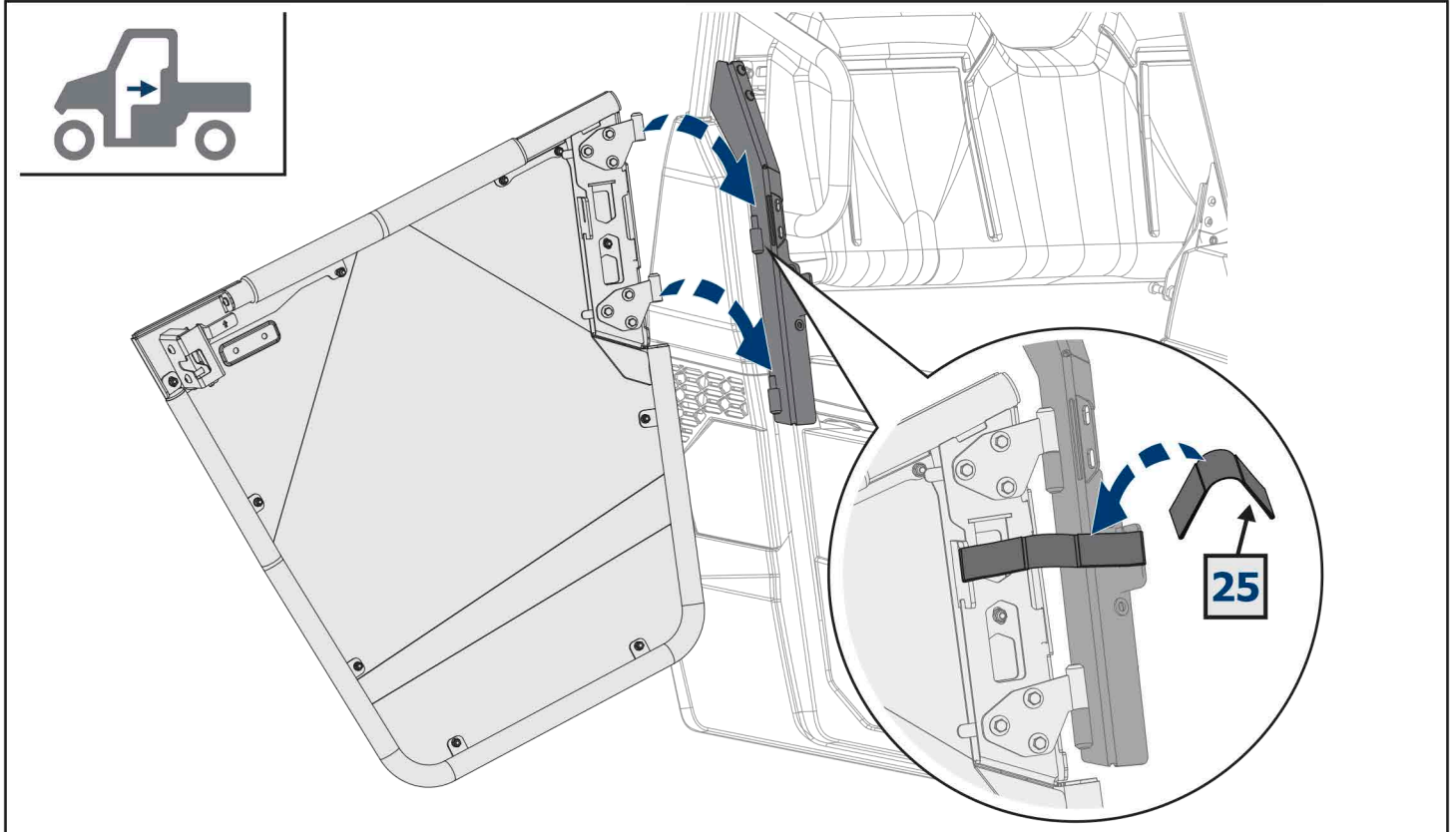
PRE-INSTALLATION: LAY OUT COMPONENTS AND COMPARE TO LIST AND IMAGES. IMAGES MAY NOT PORTRAY THE FULL DETAIL OR EXACT SHAPE OF THE PARTS; HOWEVER, THEY REPRESENT PARTS THAT HAVE SAME OR SIMILAR FUNCTION.





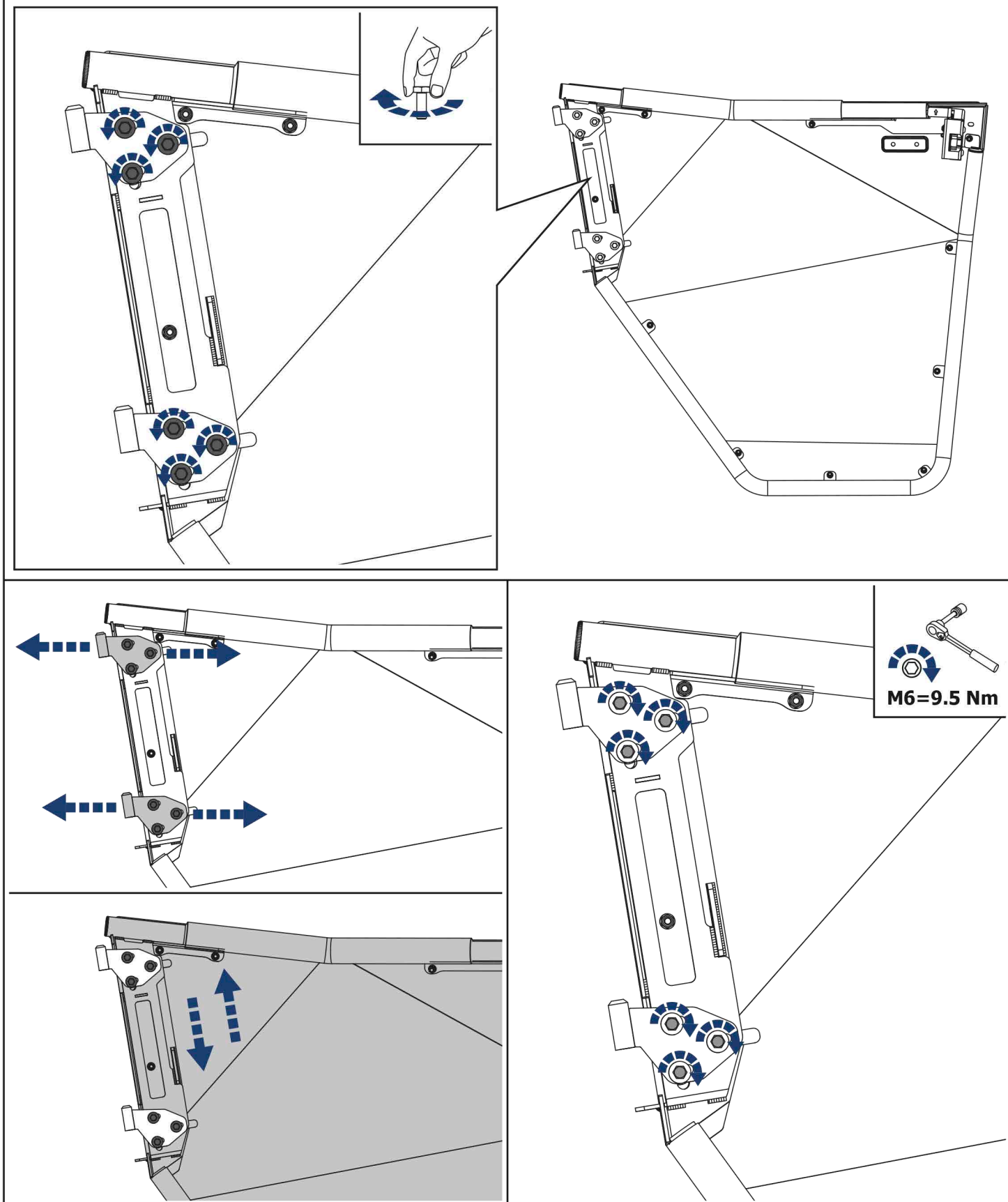






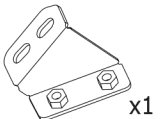
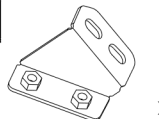
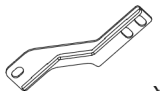
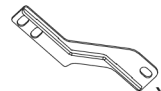
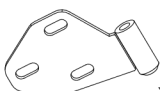
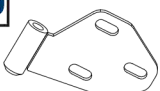
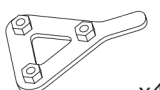
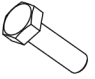
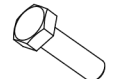
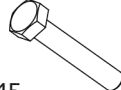




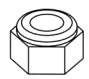
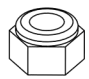
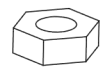
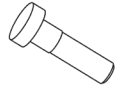



TIP: PERIODICALLY CHECK ALL HARDWARE AND RE-TIGHTEN IF NEEDED.

DOOR POSITION ADJUSTMENT



SPARE PARTS

244.7495.1 FITTING KIT

5  x1	6  x1	7  x1	8  x1	9  x2	10  x2
11  x4	12  M6x20 x14	13  M8x25 x12	14  M8x45 x4	15  M8x16 x4	16  Ø6 x14
17  Ø8 x32	18  Ø6 x12	19  M6 x2	20  M8 x12	21  M10 x4	22  x2
23  x4	24  x2	25  x2			