

EN

SKID PLATE INSTALLATION MANUAL

DE

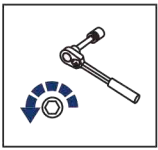
MONTAGEANLEITUNG FÜR UNTERBODENSCHUTZ SYSTEM



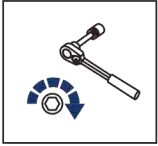
For: Polaris Ranger SP570 (2022)

2444.7485.1

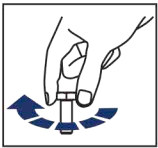




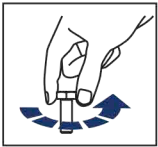
EN Regular fasteners
DE Originale montageile



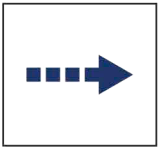
EN Regular fasteners
DE Originale montageile



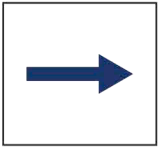
EN Screw a several turns
DE Für wenigen Umdrehungen befestigen



EN Loosen bolts
DE Bolzen lockern



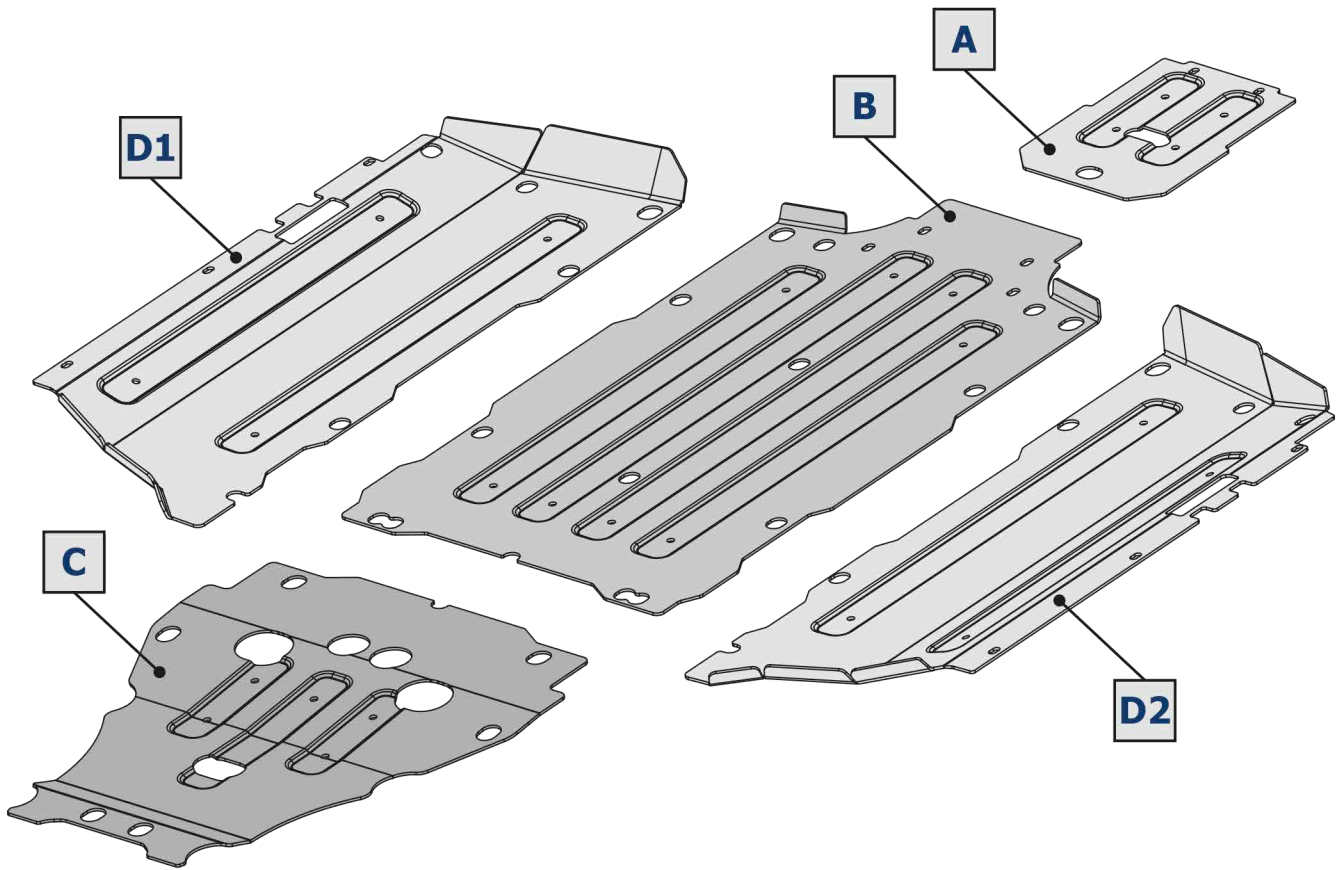
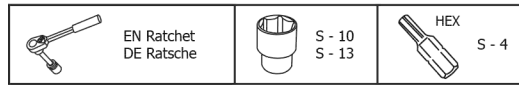
EN Movement Arrow
DE Bewegungsrichtung

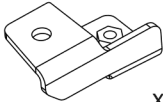
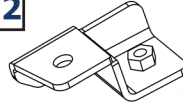
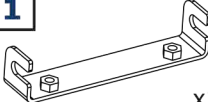
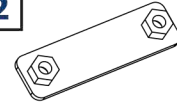
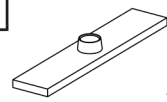


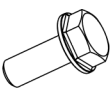
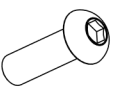
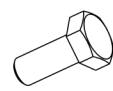
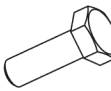





EN Location/Position Arrow
DE Amordnung/Positionsrichtung

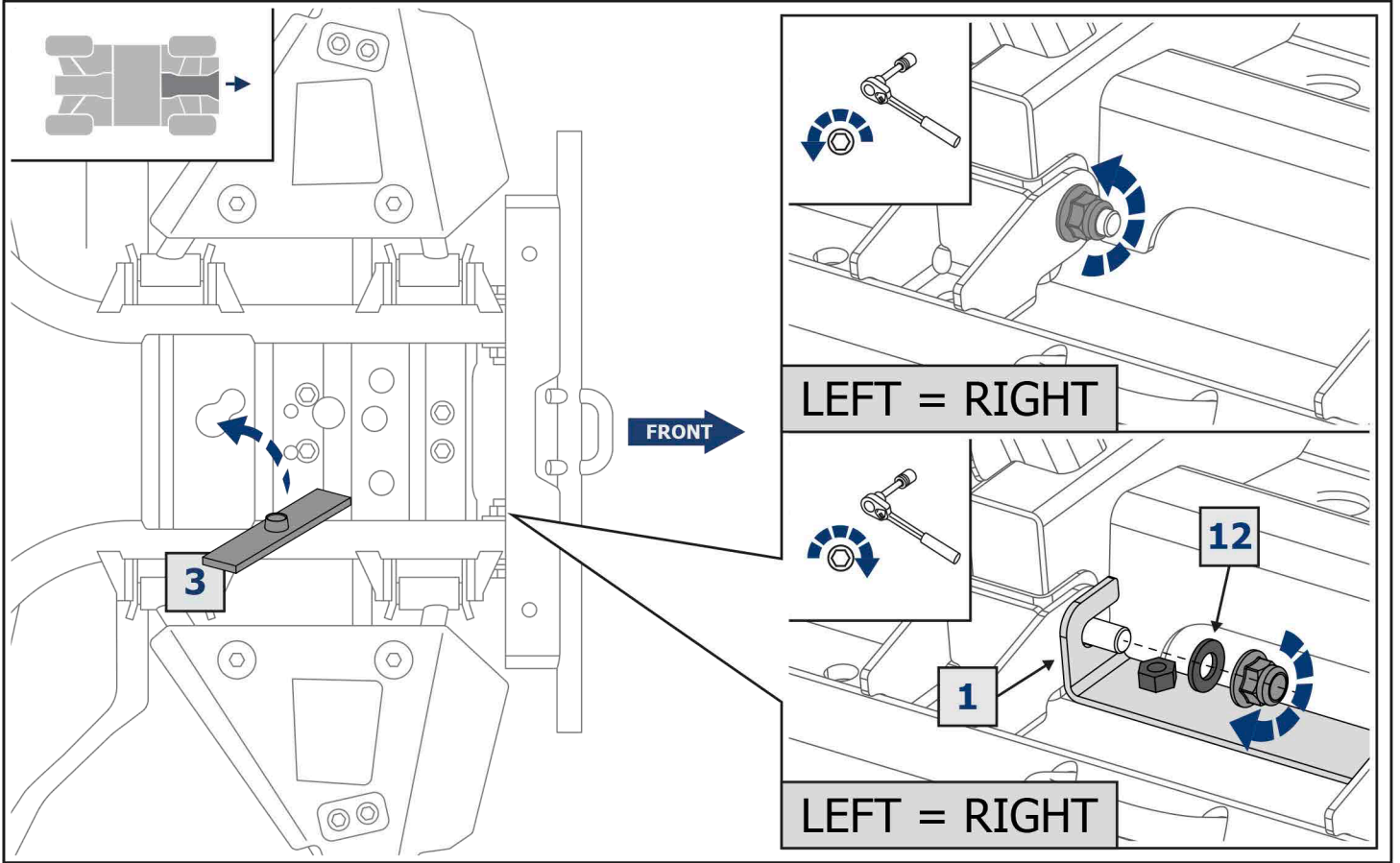
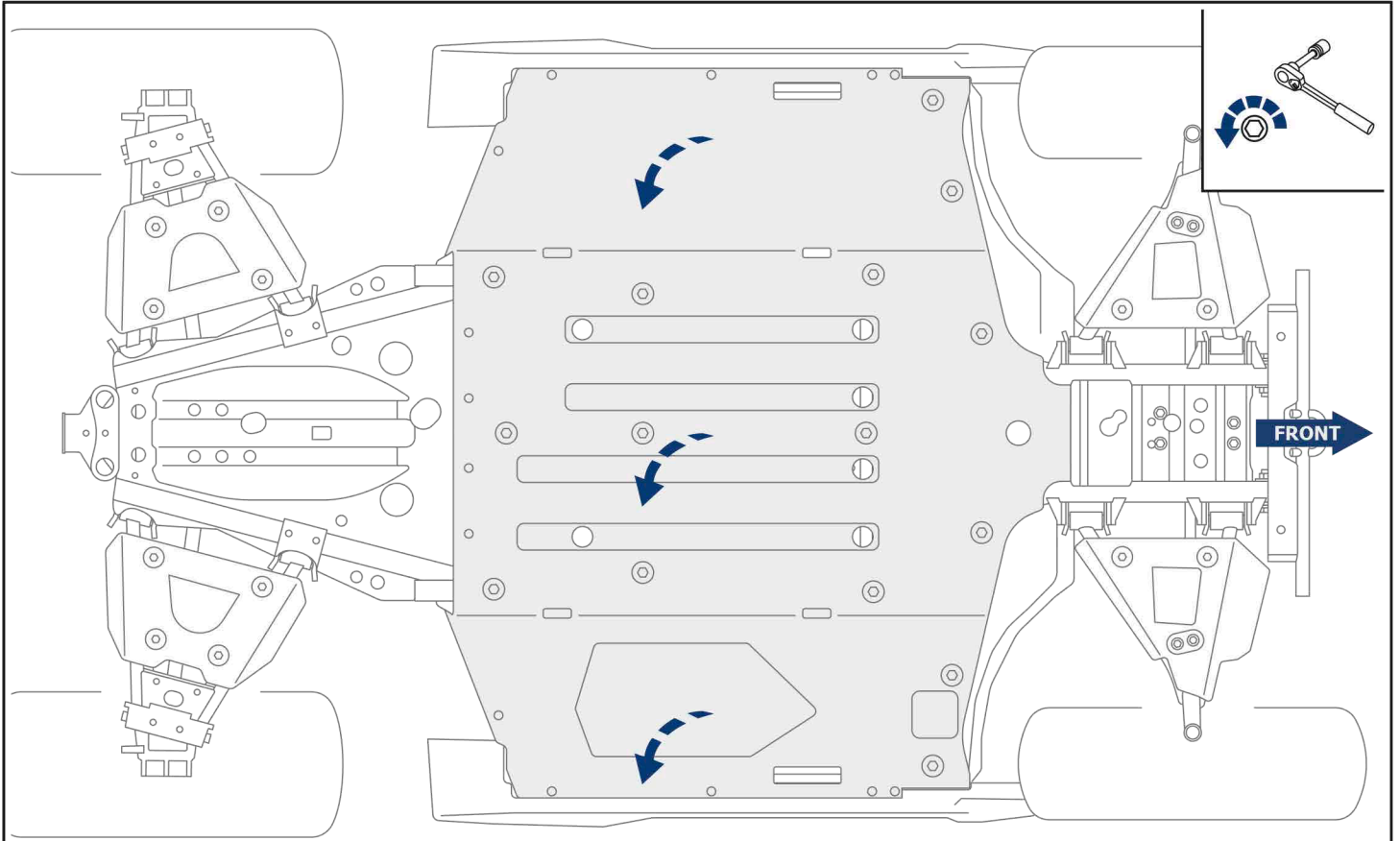


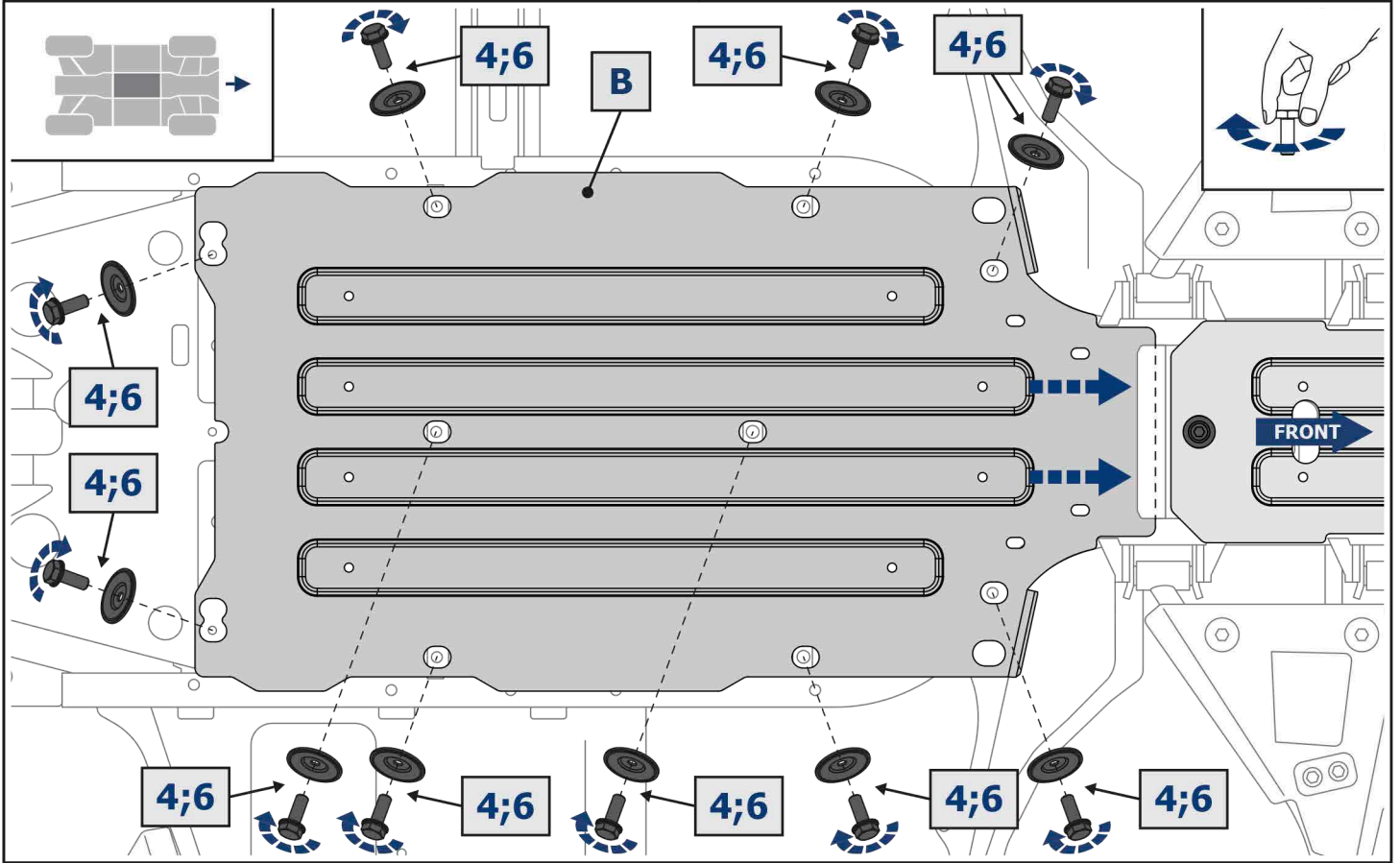
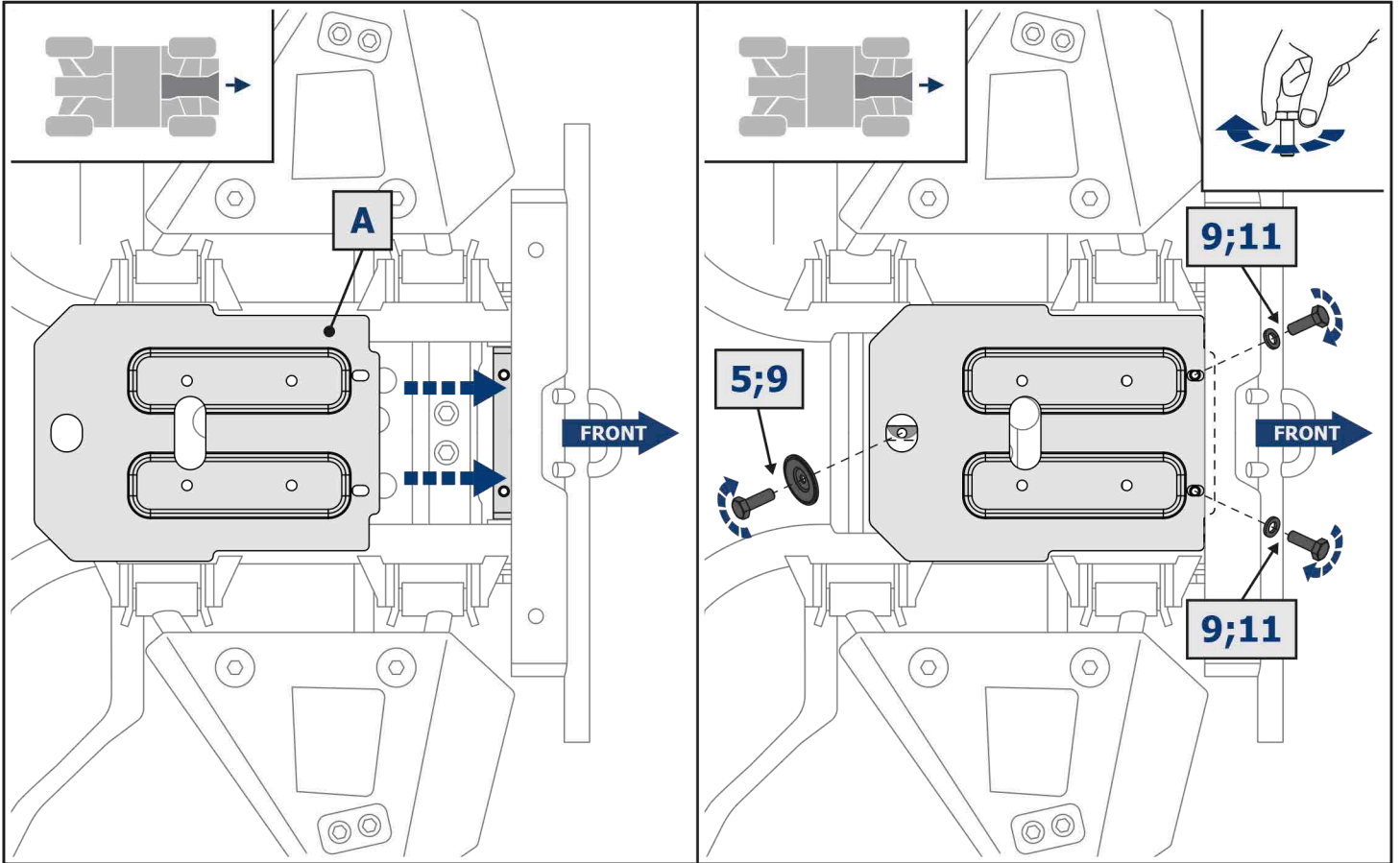
EN Screw Arrow
DE Drehungsrichtung

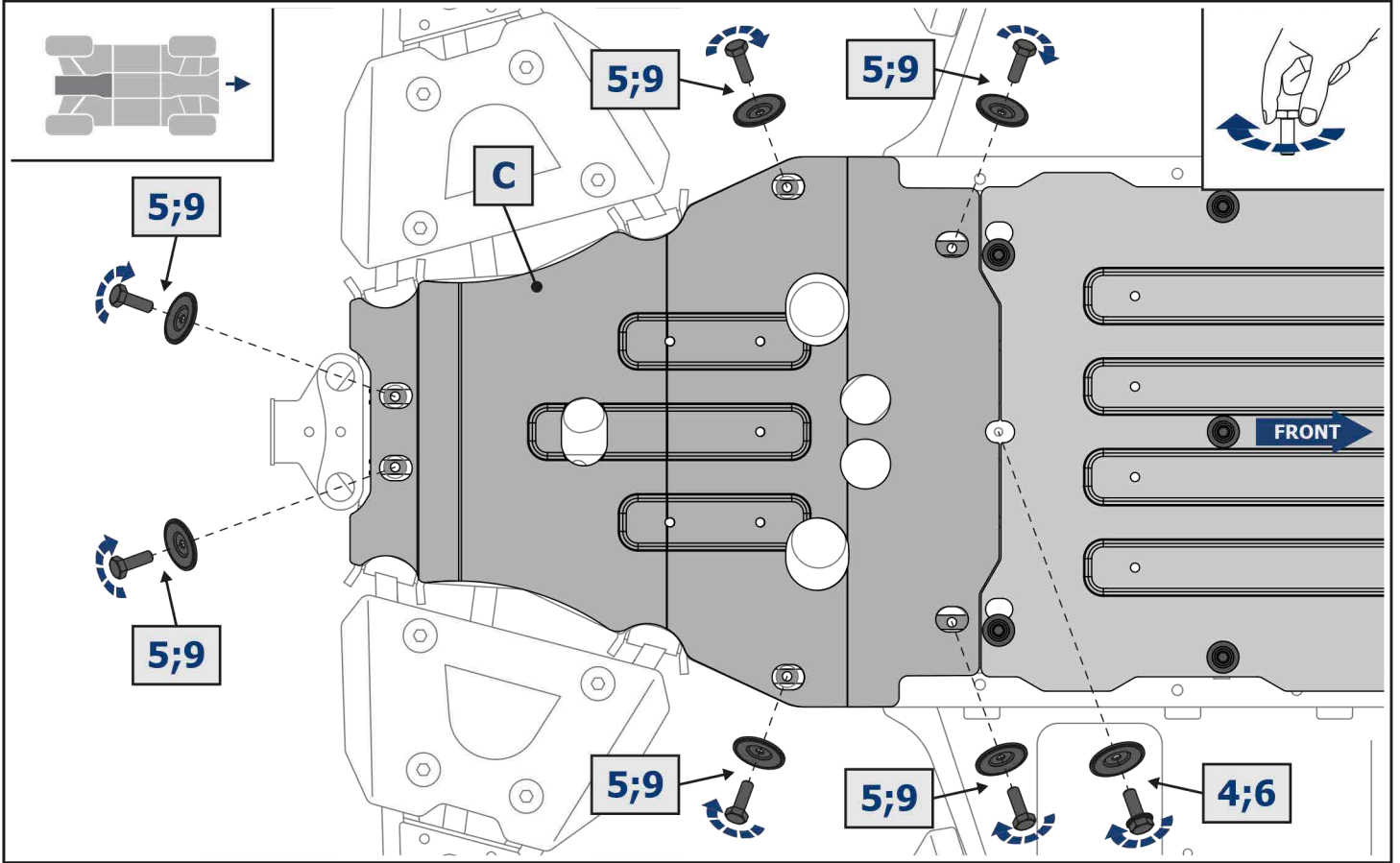
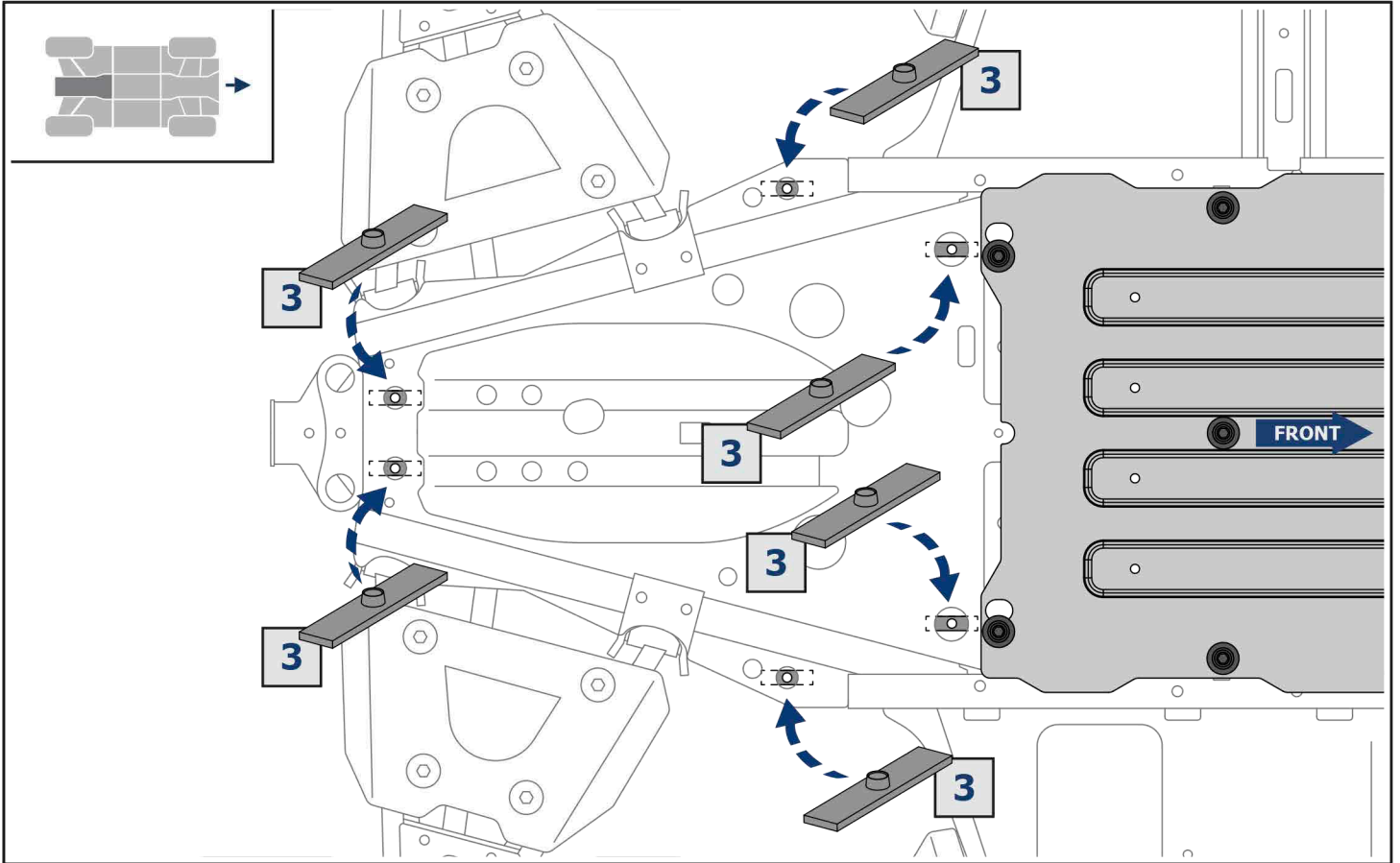


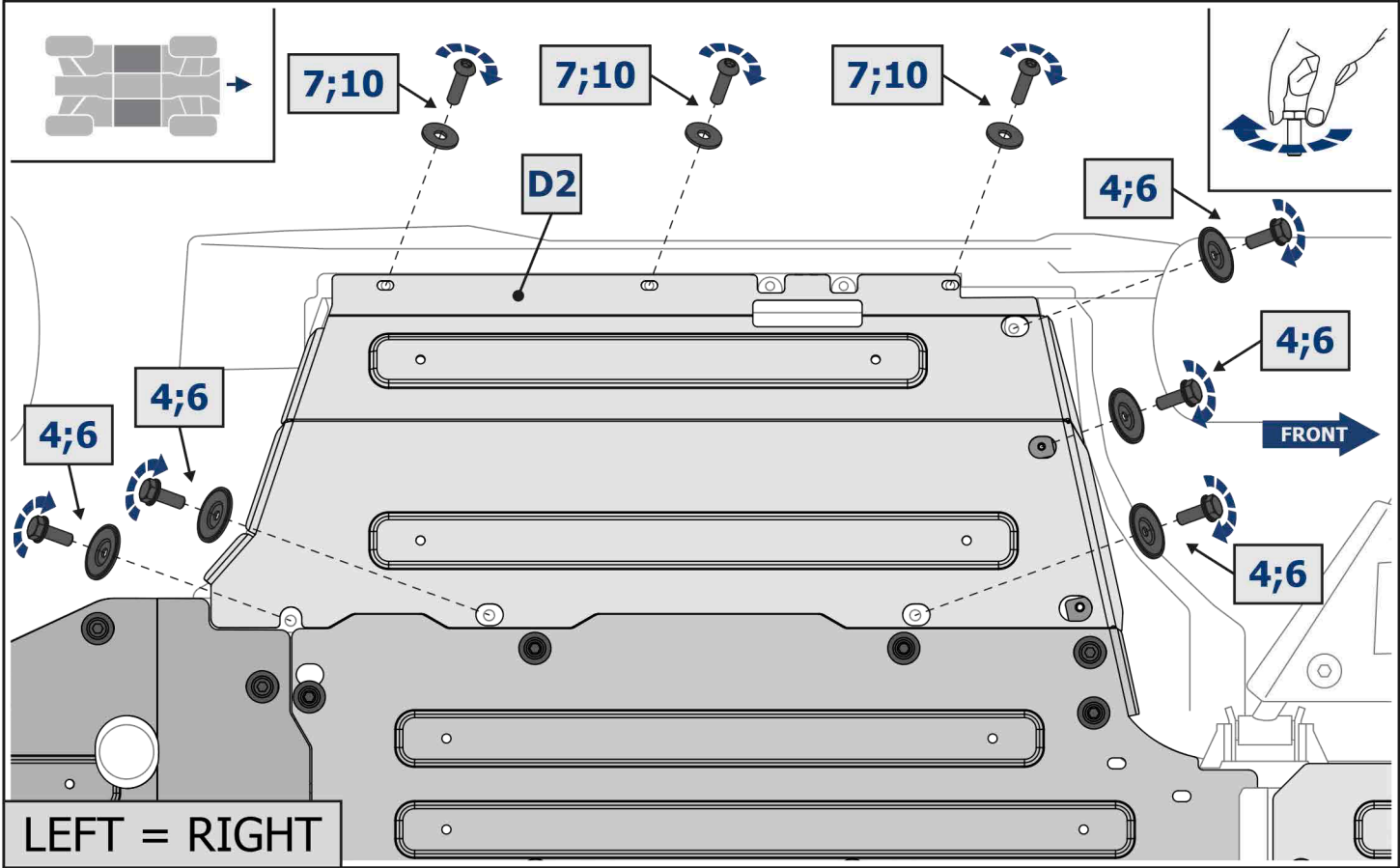
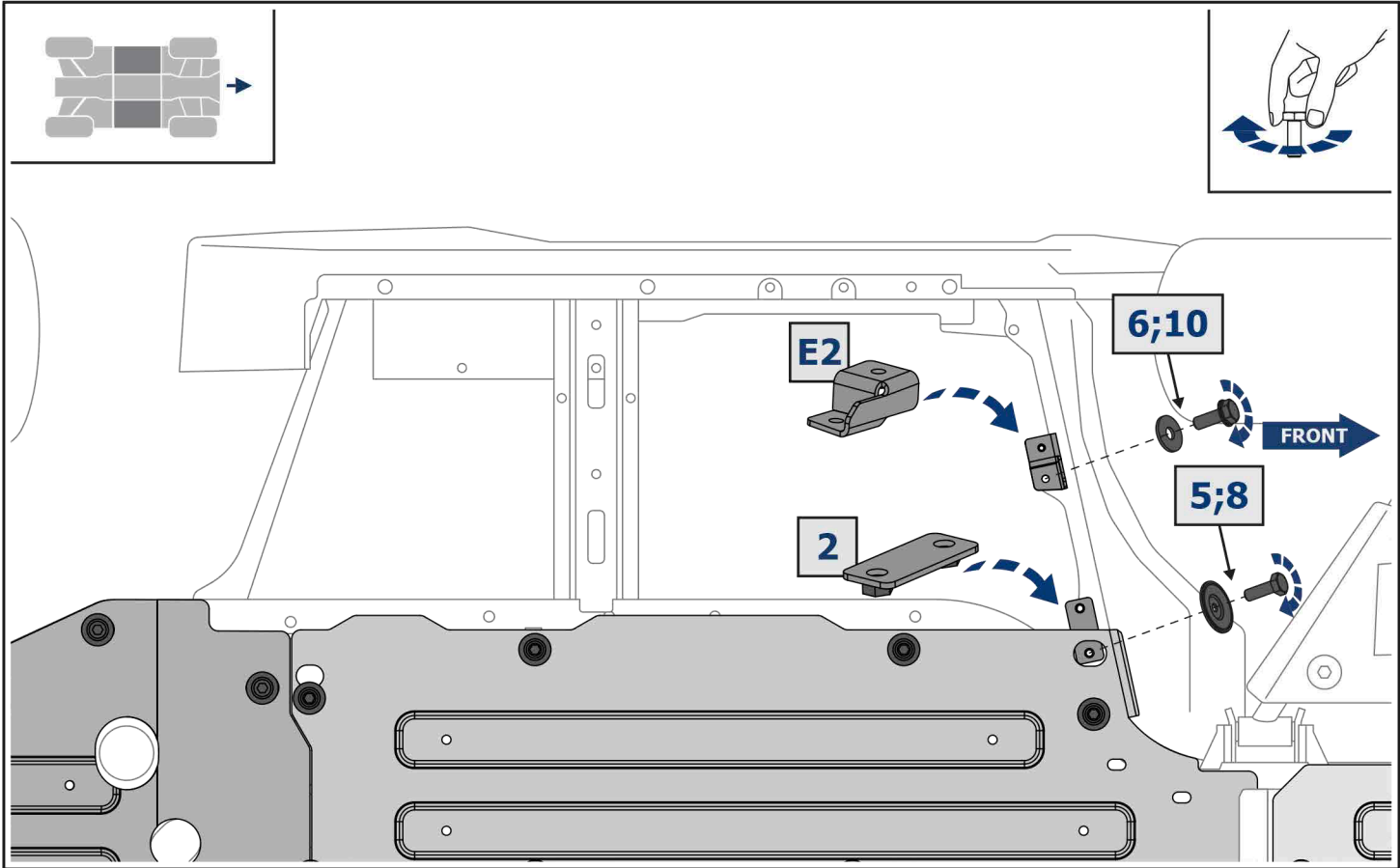
| | | | | | |
|---|--|---|---|---|---|
| E1  x1 | E2  x1 | 1  x1 | 2  x2 | 3  x7 | 4  ø6 x21 |
| 5  ø8 x11 | 6  M6x16 x23 | 7  M6x30 x6 | 8  M8x16 x4 | 9  M8x25 x9 | 10  ø6 x8 |
| 11  ø8 x2 | 12  ø10 x2 | | | | |

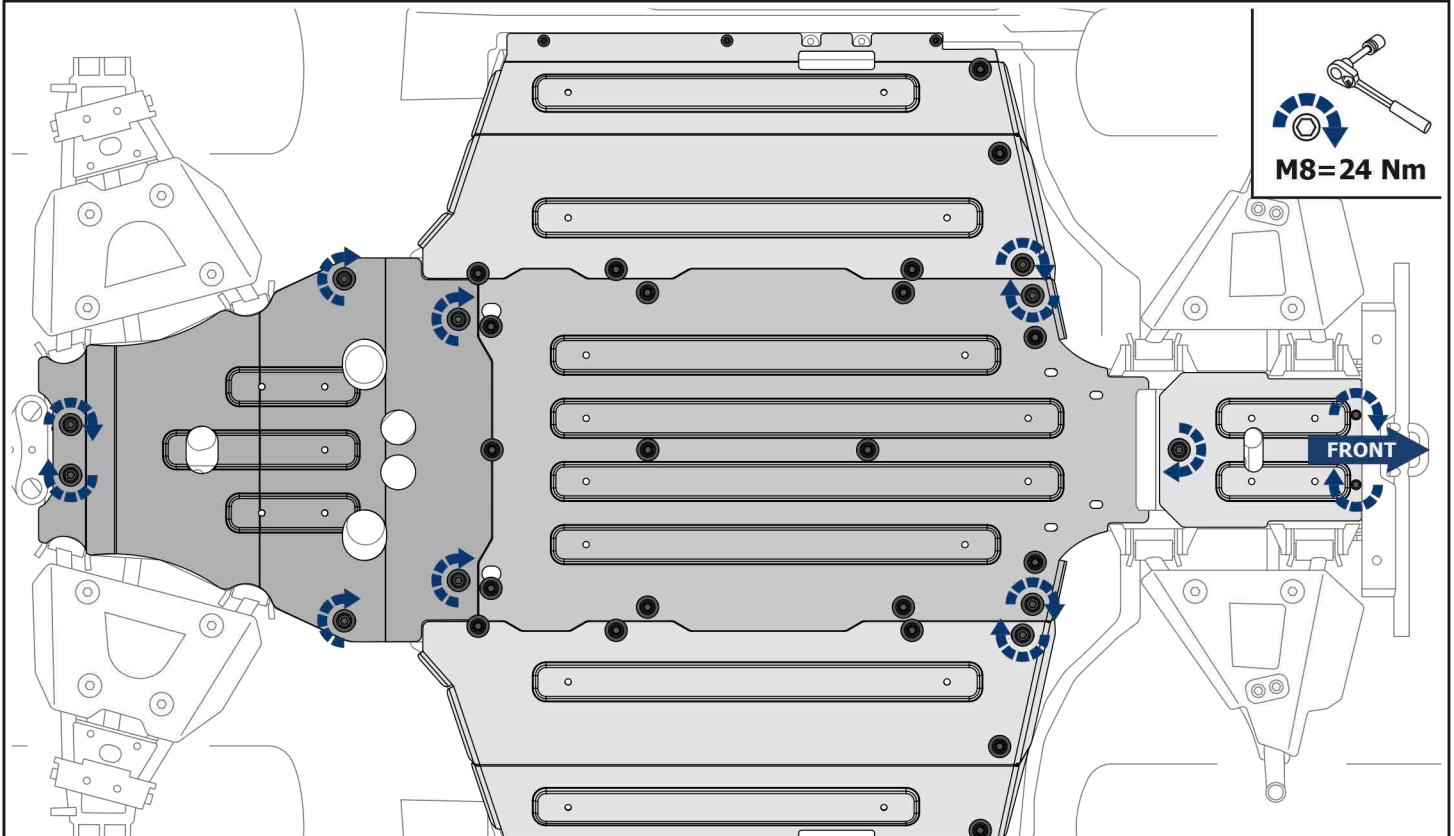
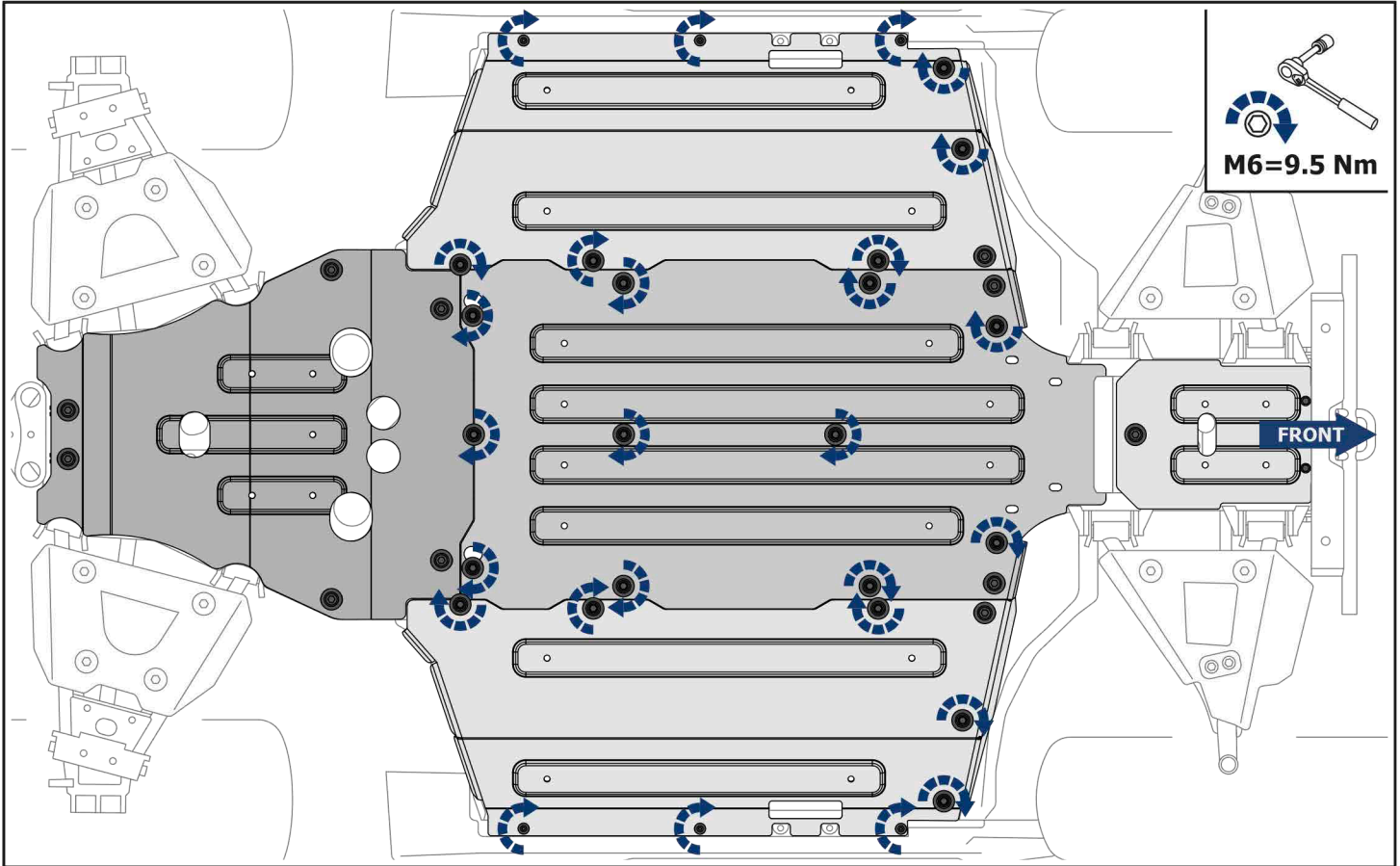
PRE-INSTALLATION: LAY OUT COMPONENTS AND COMPARE TO LIST AND IMAGES. IMAGES MAY NOT PORTRAY THE FULL DETAIL OR EXACT SHAPE OF THE PARTS; HOWEVER, THEY REPRESENT PARTS THAT HAVE SAME OR SIMILAR FUNCTION.











TIP: PERIODICALLY CHECK ALL HARDWARE AND RE-TIGHTEN IF NEEDED.