

EN DOOR KIT INSTALLATION MANUAL

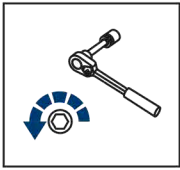
DE MONTAGEEINLEITUNG TÜREN SET



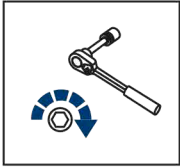
**For: Polaris Ranger 150 (2015-)**

2444.7460.1

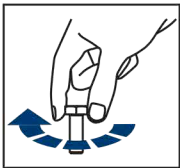




EN Regular fasteners  
DE Originale montageteile



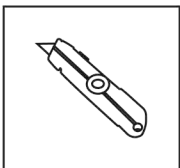
EN Regular fasteners  
DE Originale montageteile



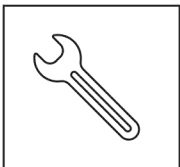
EN Screw several times  
DE Für wenigen Umdrehungen befestigen



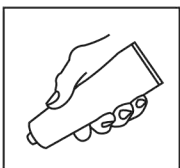
EN Loosen bolts  
DE Bolzen lockern



EN Office Knife  
DE Büromesser

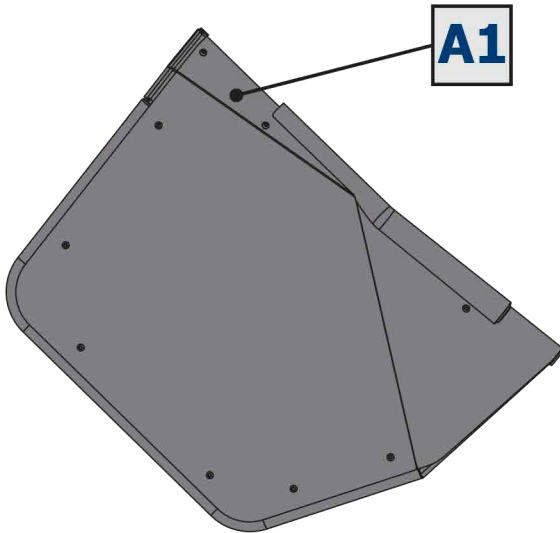


EN Wrench  
DE Schraubenschlüssel

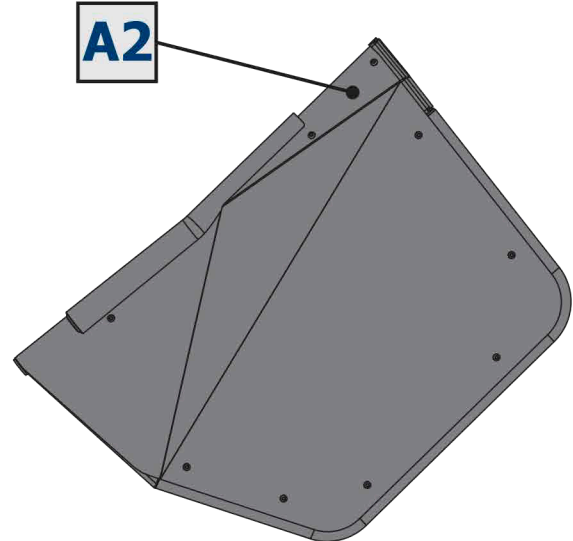


EN Grease  
DE Schmierfett

	EN Ratchet DE Ratsche		S - 10; S - 13; S - 17		HEX S - 4; S - 5
--	--------------------------	--	------------------------------	--	------------------------



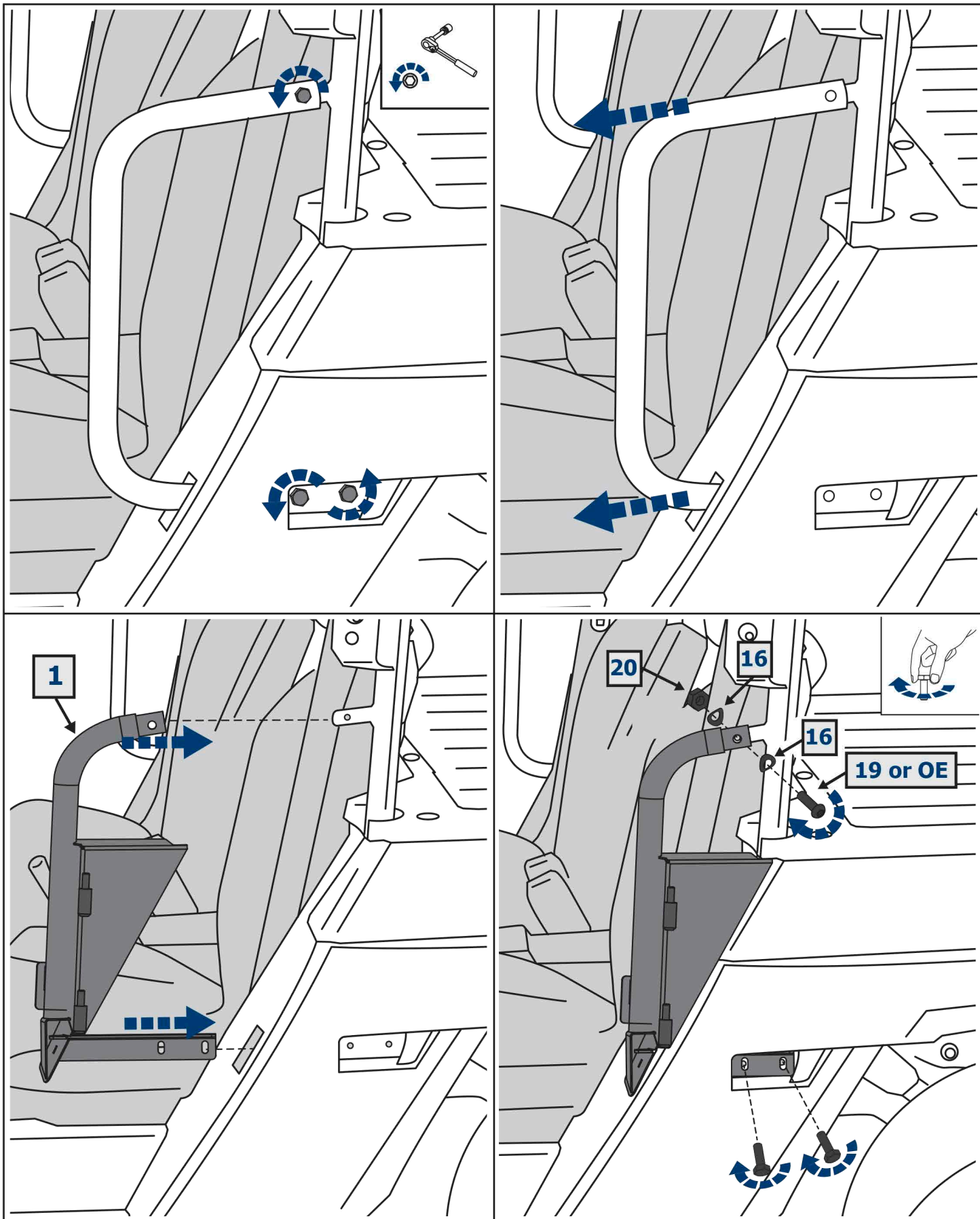
**A1**

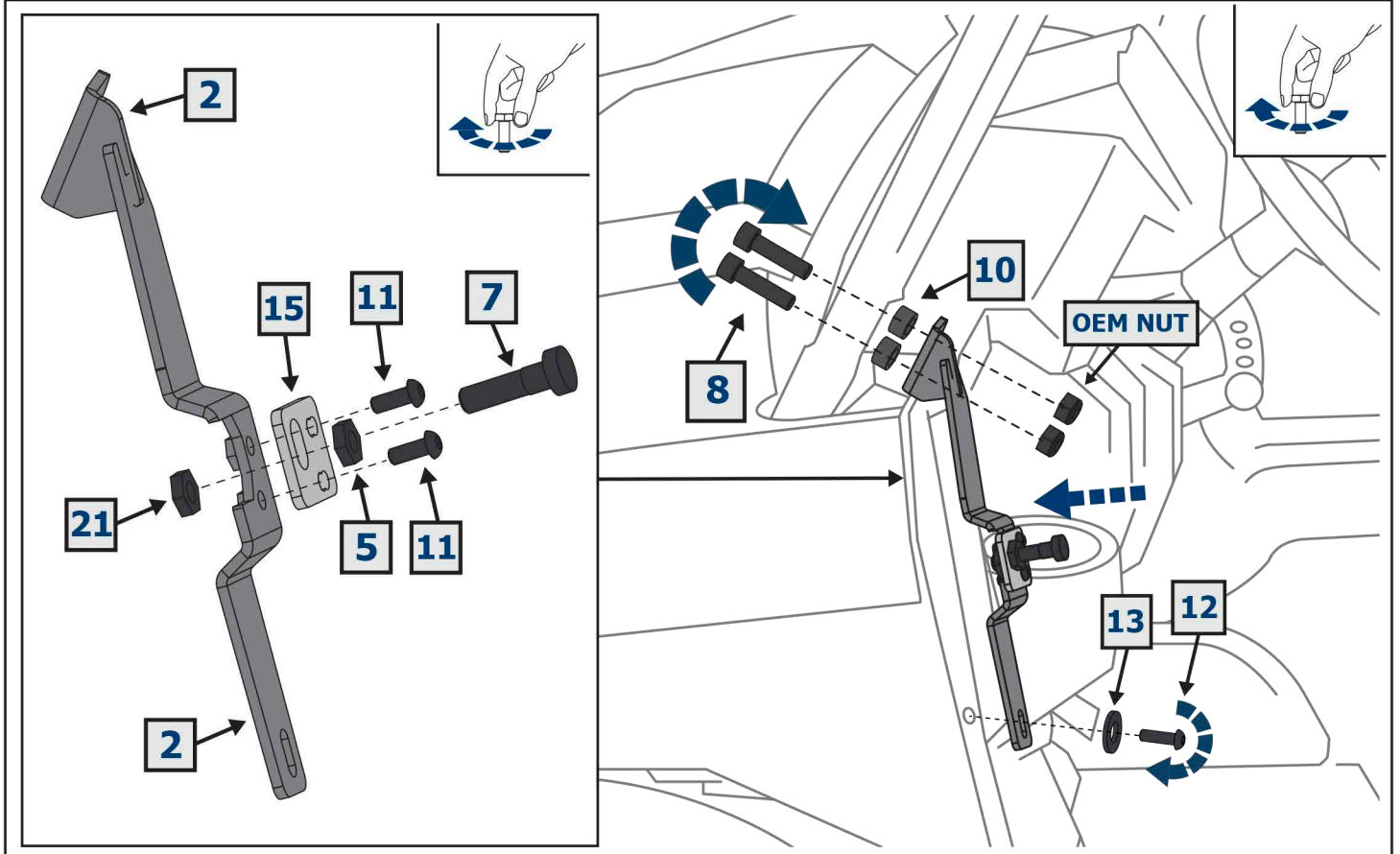
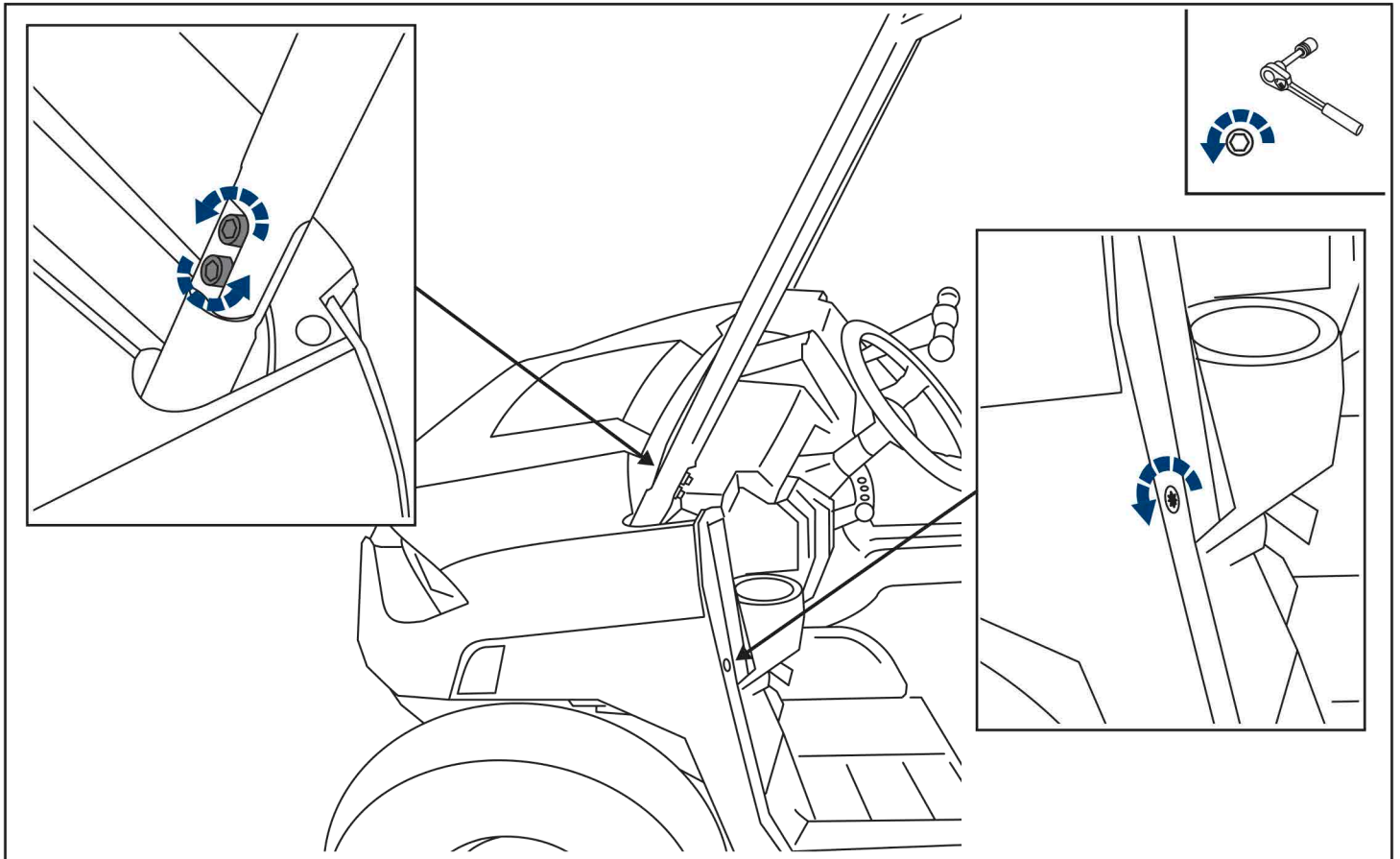


**A2**

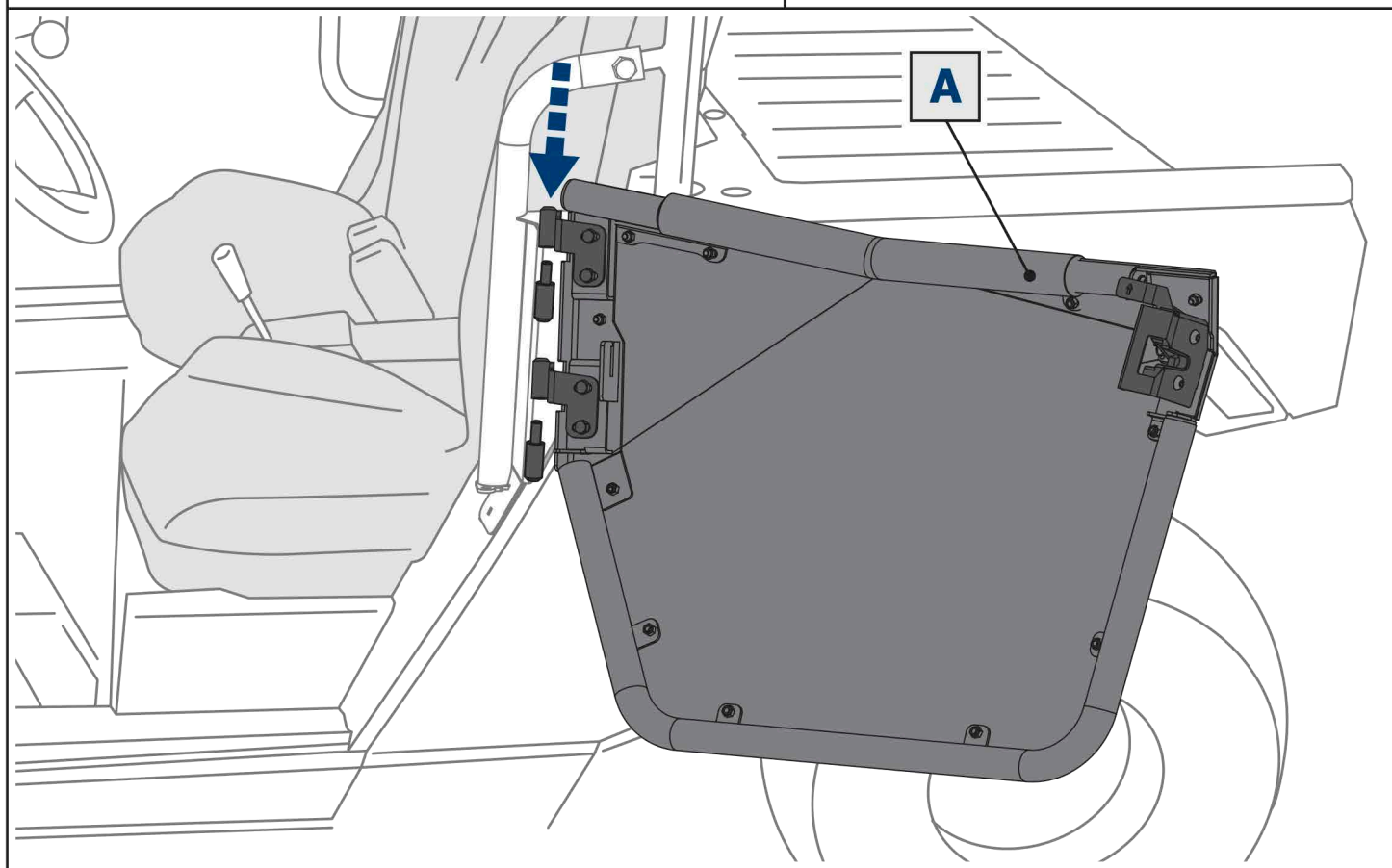
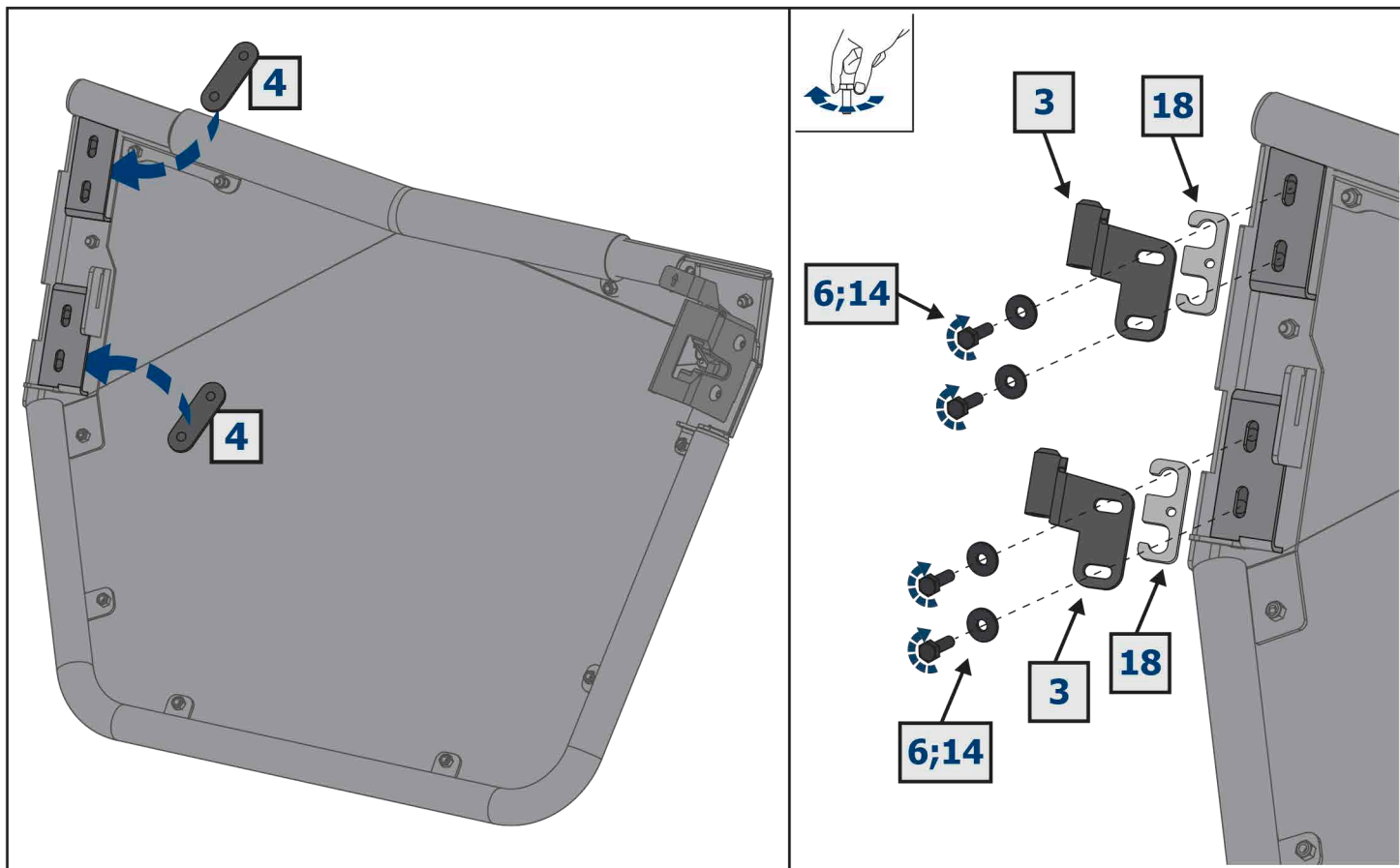
<b>1</b>  x2	<b>2</b>  x2	<b>3</b>  x2	<b>4</b>  x2	<b>5</b>  M10 x4	<b>6</b>  Ø6 x8
<b>7</b>  x2	<b>8</b>  UNC 3/8"x1 3/4" x4	<b>9</b>  Ø8 x4	<b>10</b>  x4	<b>11</b>  M6x16 x4	<b>12</b>  M6x40 x2
<b>13</b>  Ø6 x6	<b>14</b>  M6x25 x8	<b>15</b>  x2	<b>16</b>  x4	<b>17</b>  x2	<b>18</b>  x4
<b>19</b>  M8x40 x2	<b>20</b>  M8 x2	<b>21</b>  M10 x2			

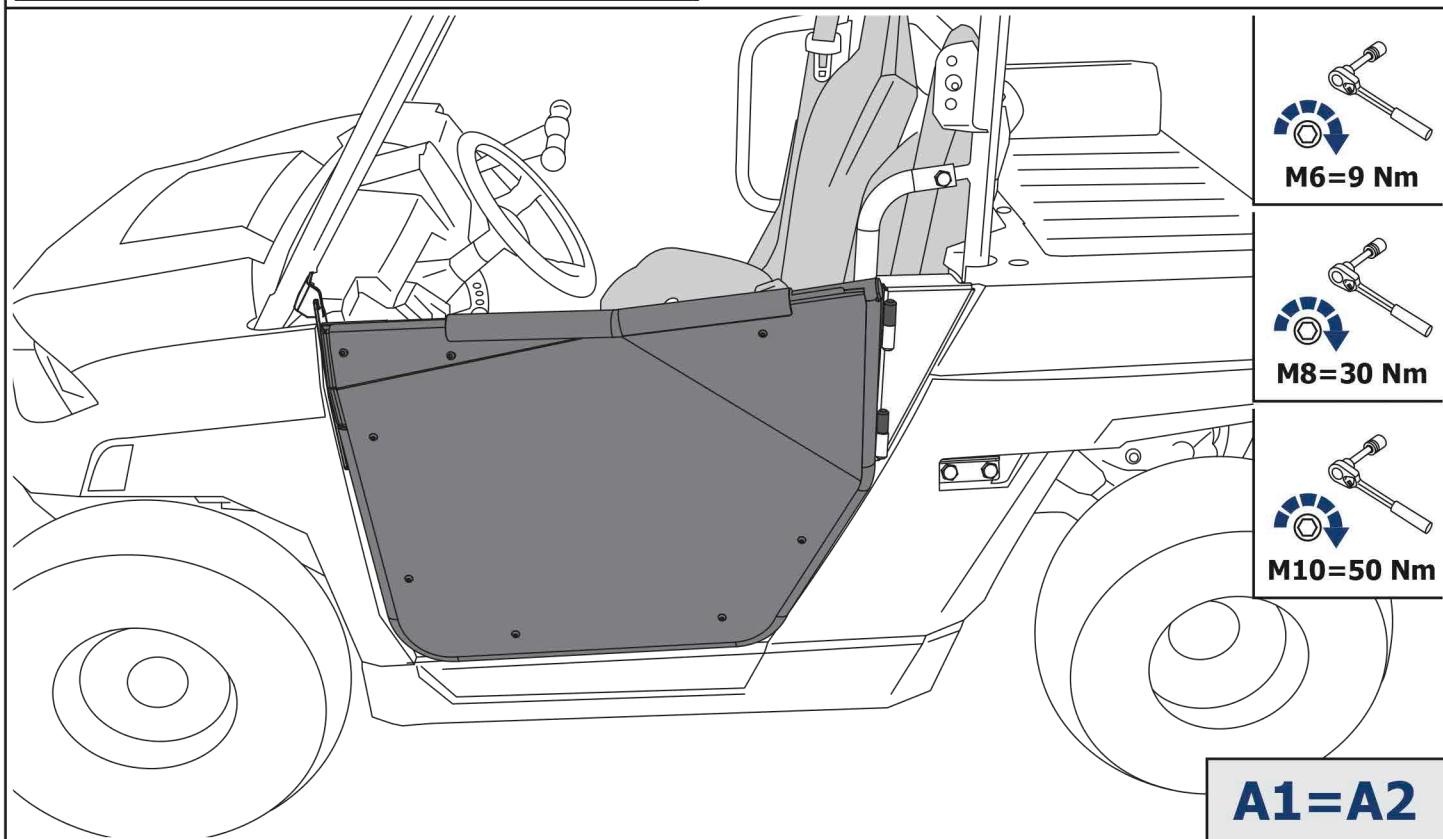
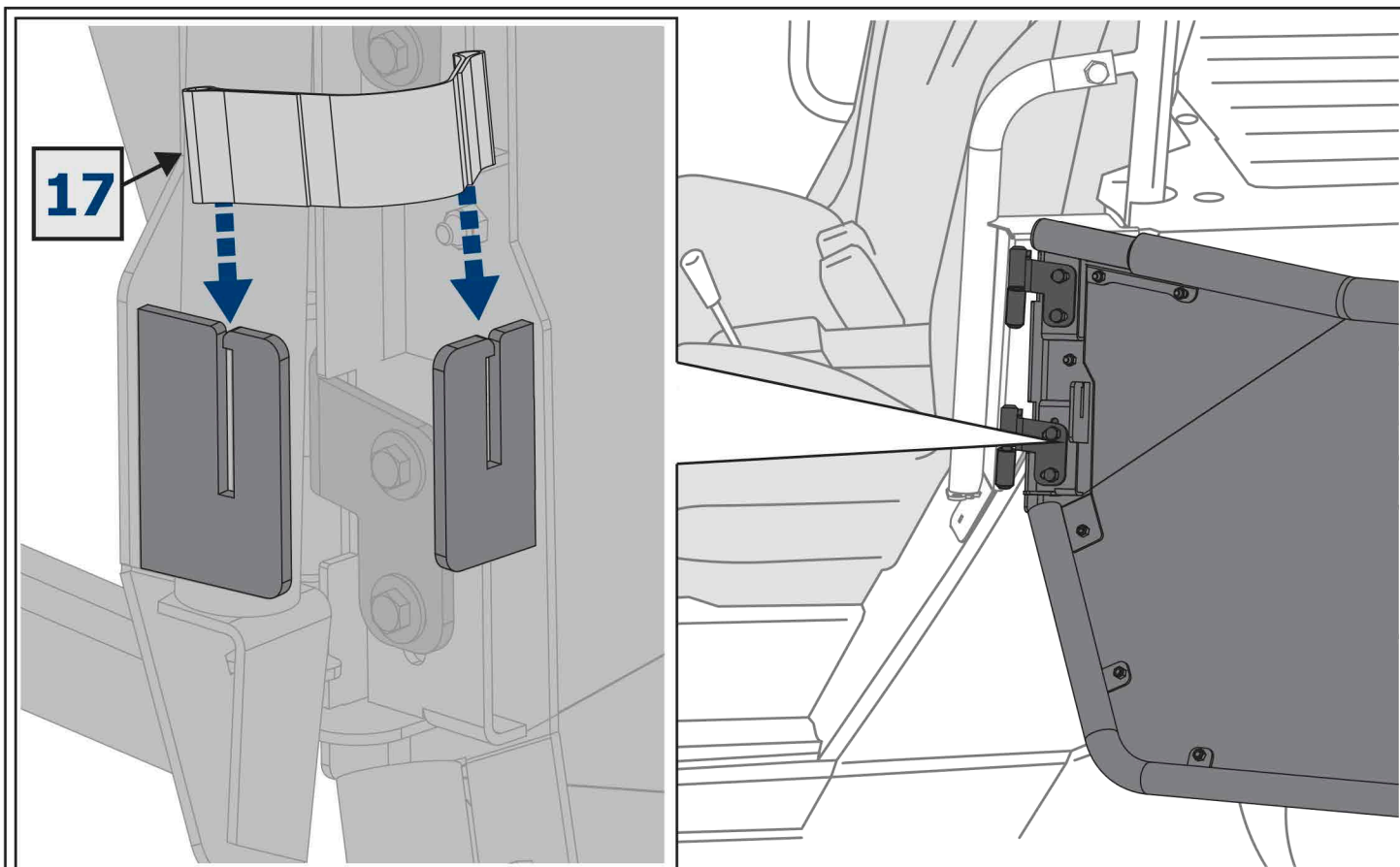
PRE-INSTALLATION: LAY OUT COMPONENTS AND COMPARE TO LIST AND IMAGES. IMAGES MAY NOT PORTRAY THE FULL DETAIL OR EXACT SHAPE OF THE PARTS; HOWEVER, THEY REPRESENT PARTS THAT HAVE SAME OR SIMILAR FUNCTION.











TIP: PERIODICALLY CHECK ALL HARDWARE AND RE-TIGHTEN IF NEEDED.