

EN DOOR KIT INSTALLATION MANUAL

DE MONTAGEEINLEITUNG TÜREN SET

Fitting Video

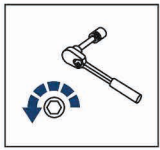


For: Polaris Ranger XP1000 (2018-)

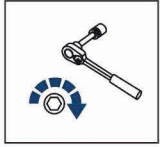
2444.7455.1

444.7455.1





EN Regular fasteners
DE Originale montageteile



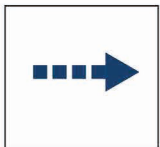
EN Regular fasteners
DE Originale montageteile



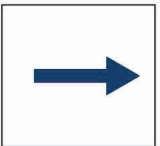
EN Screw a several turns
DE Für wenigen Umdrehungen befestigen



EN Loosen bolts
DE Bolzen lockern



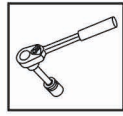
EN Movement Arrow
DE Bewegungsrichtung



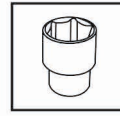
EN Location/Position Arrow
DE Anordnung/Positionsrichtung



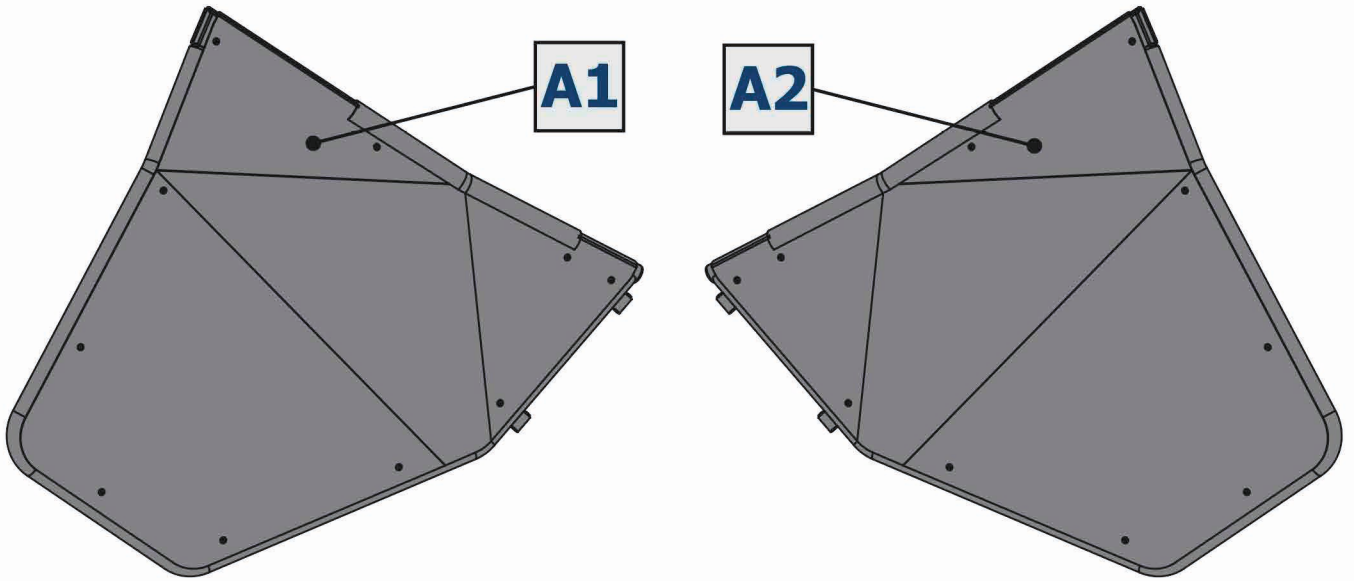
EN Screw Arrow
DE Drehungsrichtung



EN Ratchet
DE Ratsche

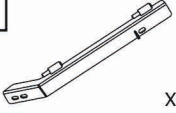
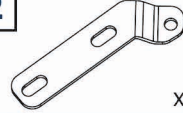
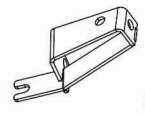

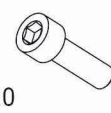

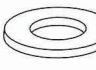
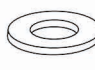

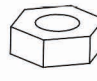
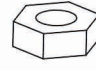

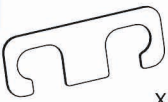
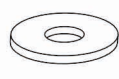


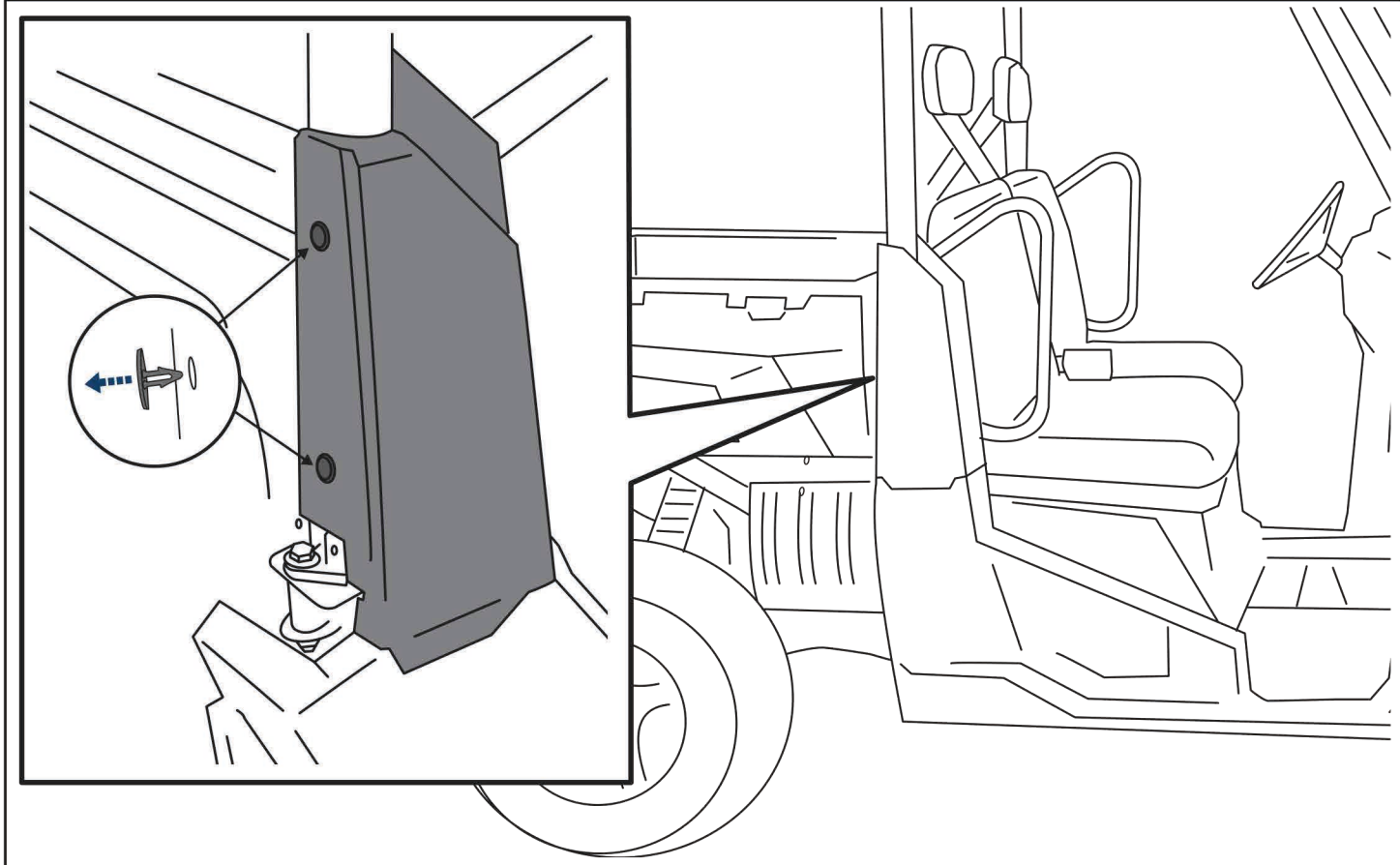
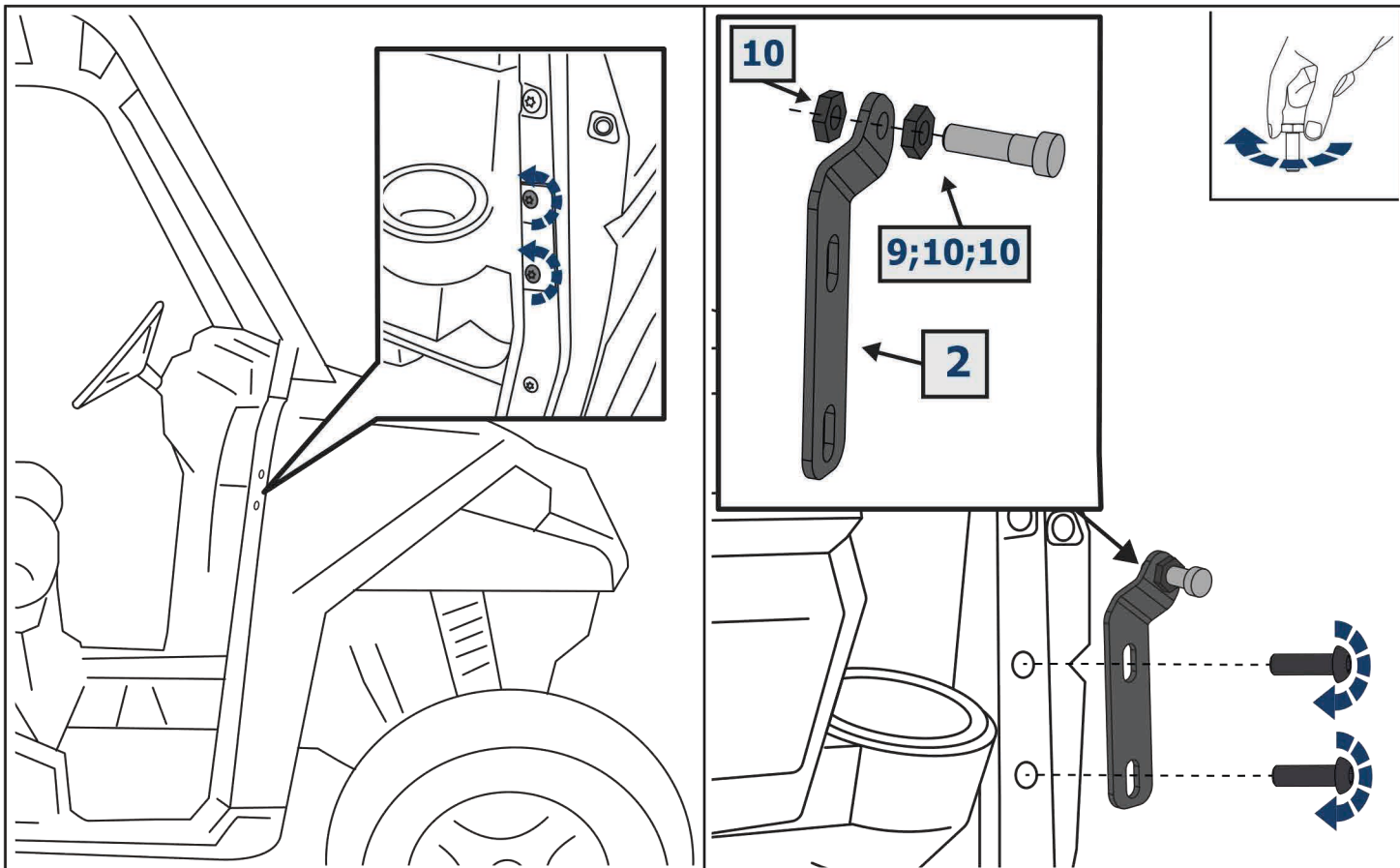
S - 10;
S - 17

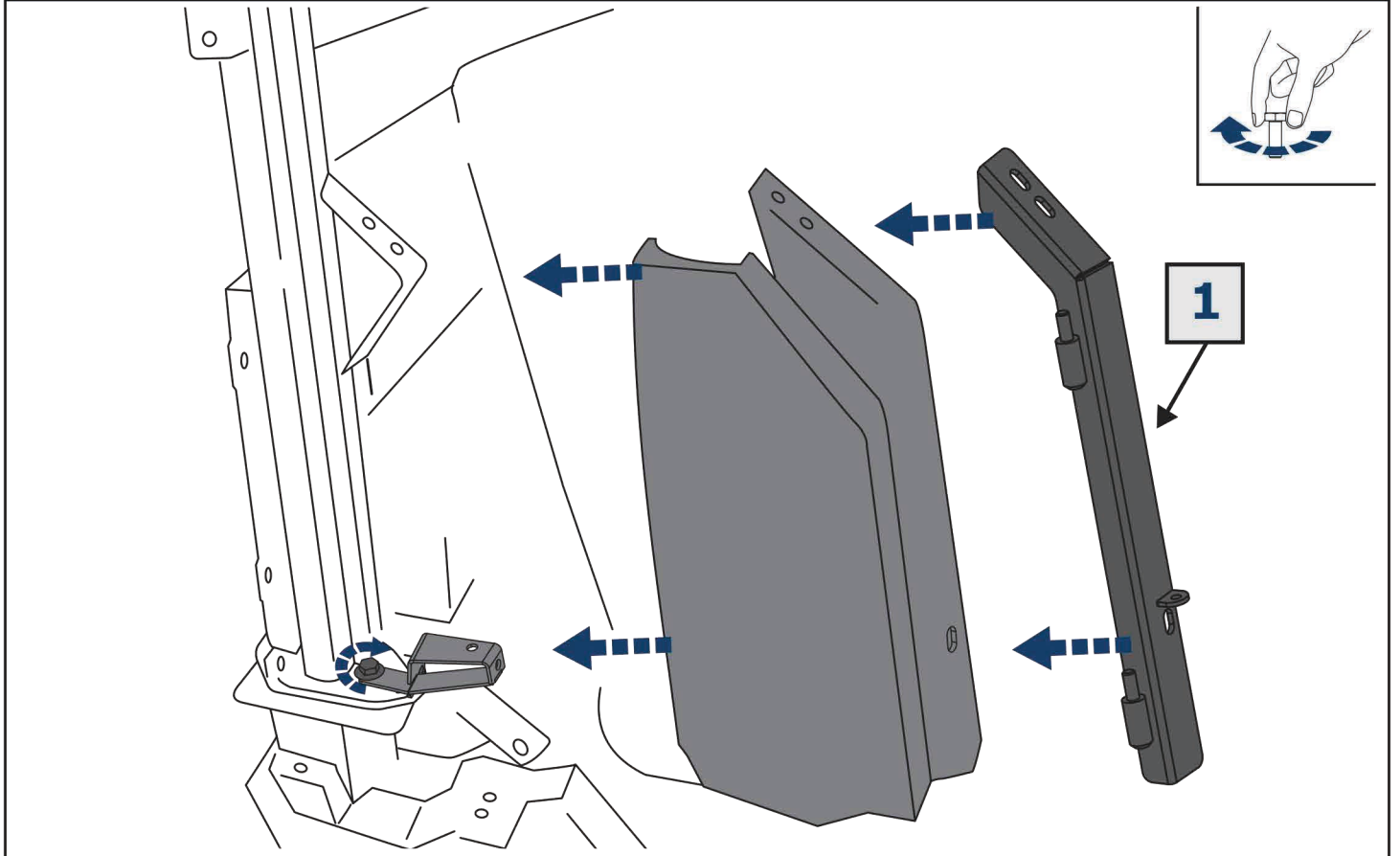
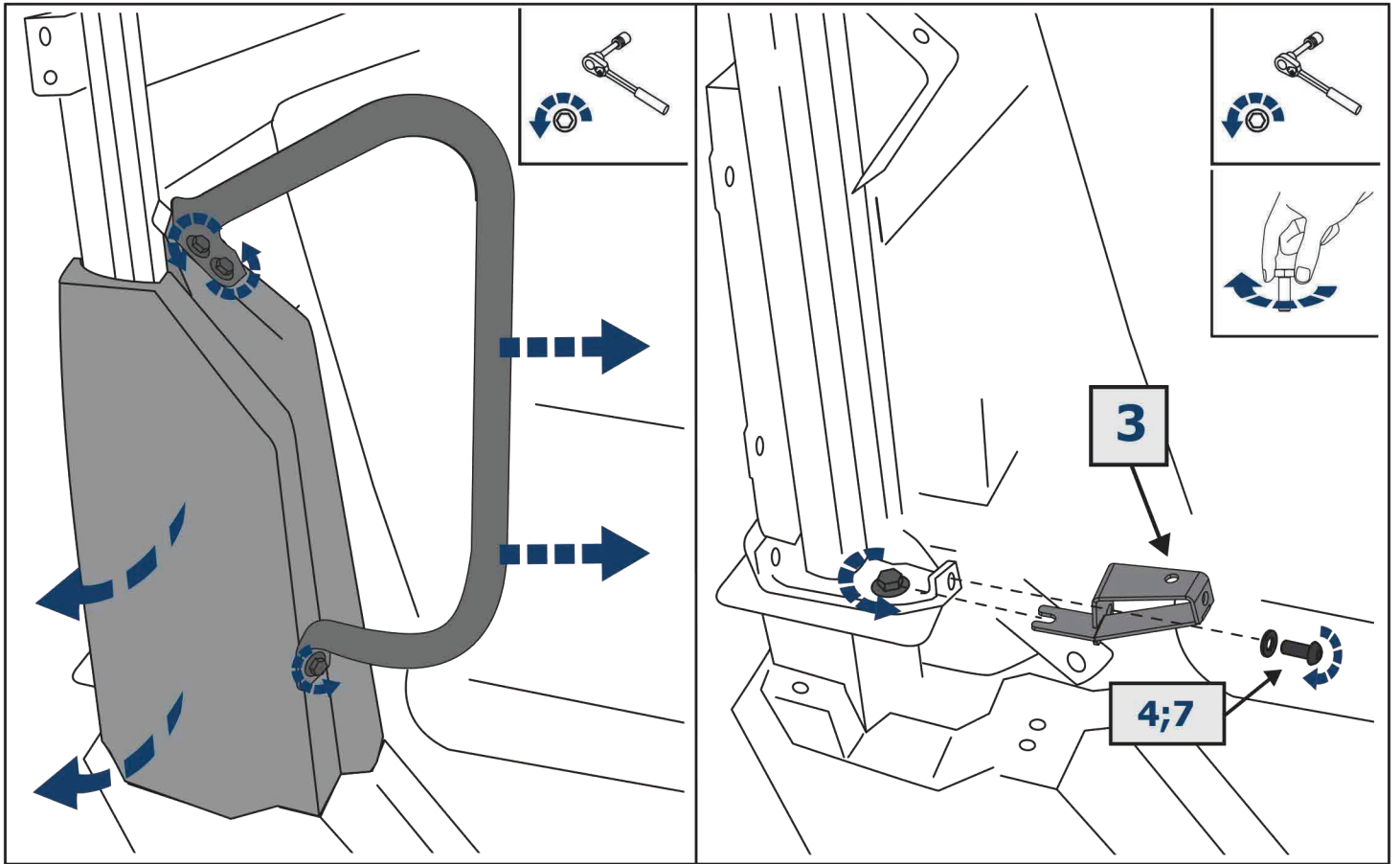


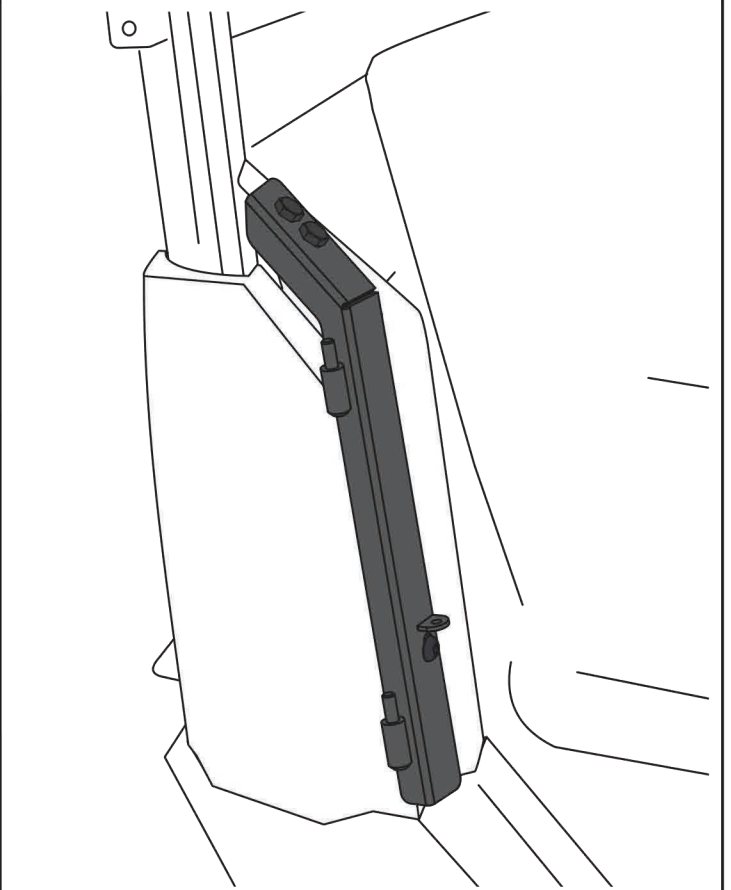
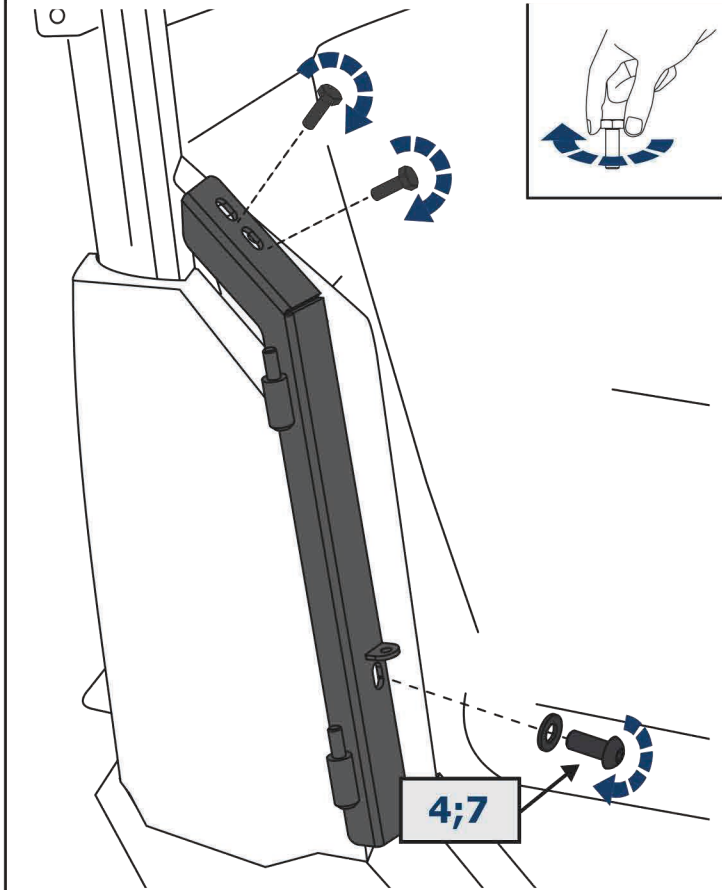
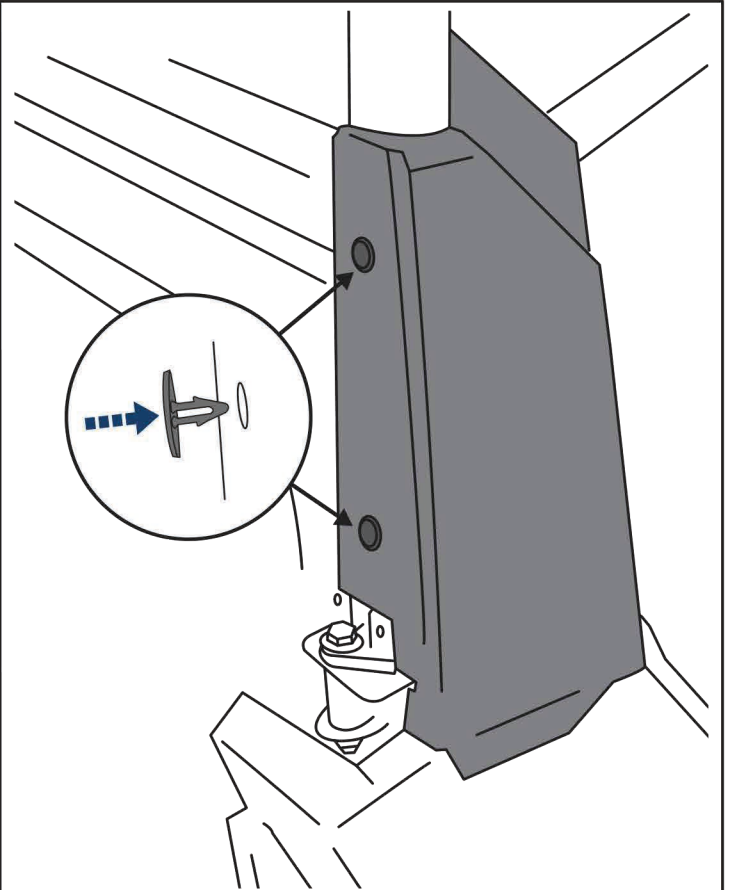
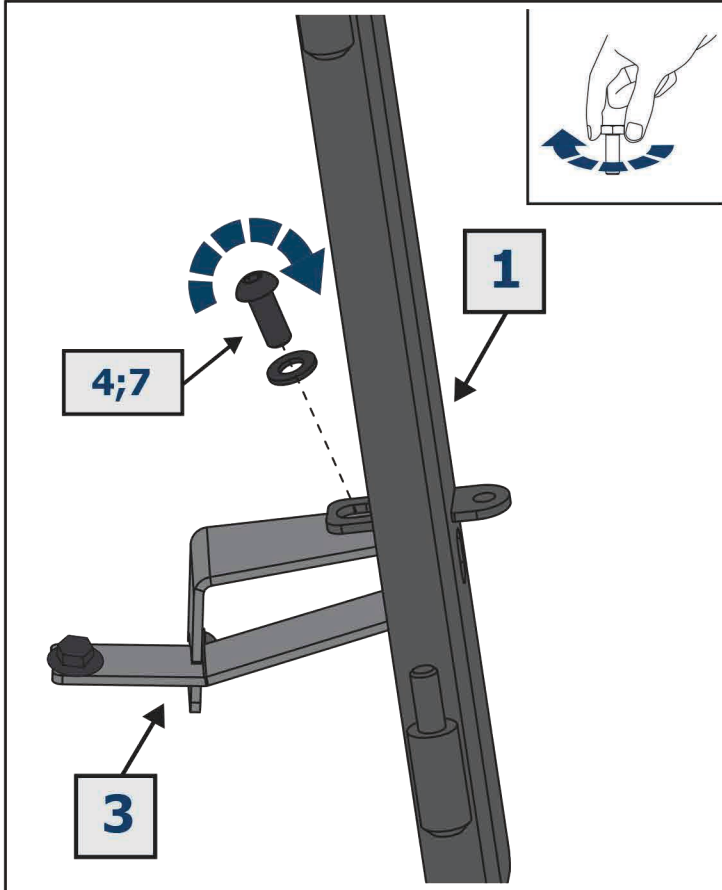
A1

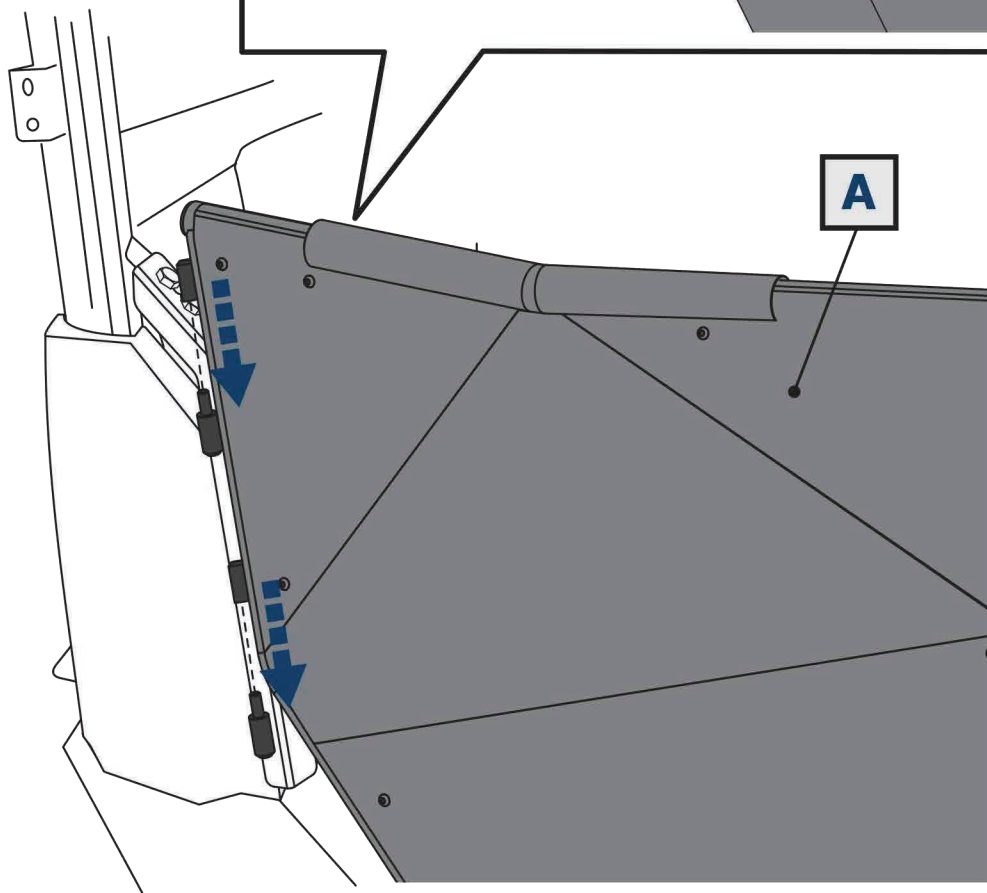
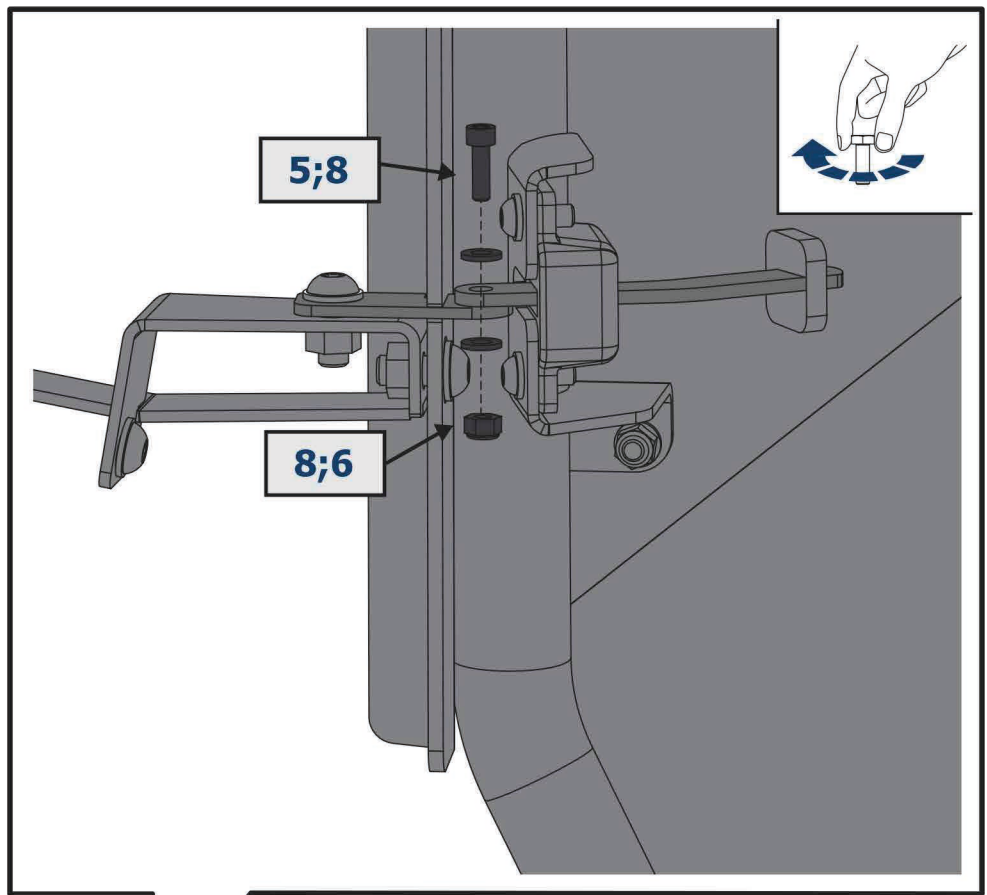
A2

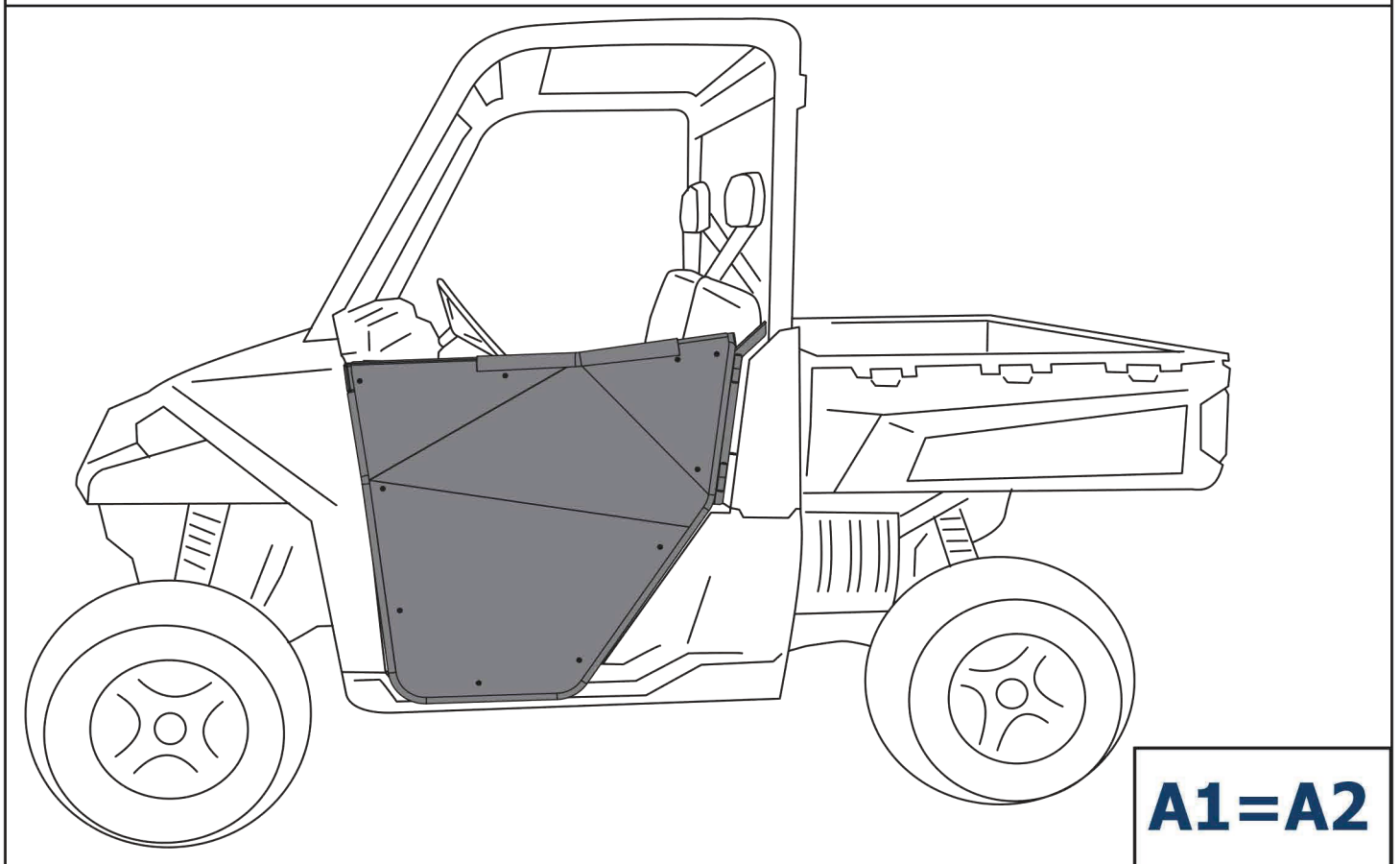
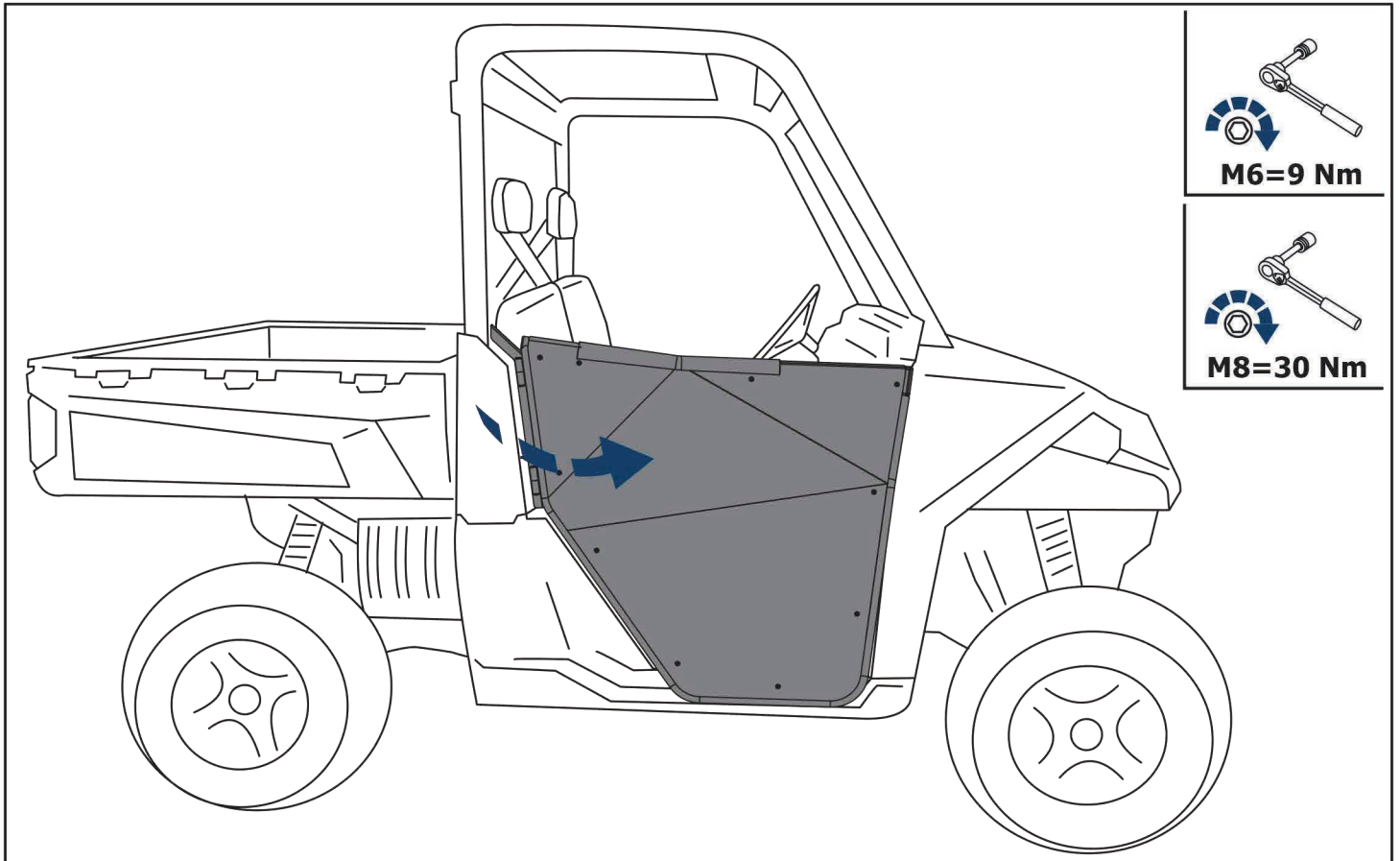
1  x2	2  x2	3  x2	4  M8x20 x8	5  M6x20 x2	6  M6 x2
7  Ø8 x10	8  Ø6 x4	9  x2	10  M10 x4	11  M8 x4	12  x10
13  x4	14  Ø8 x10				



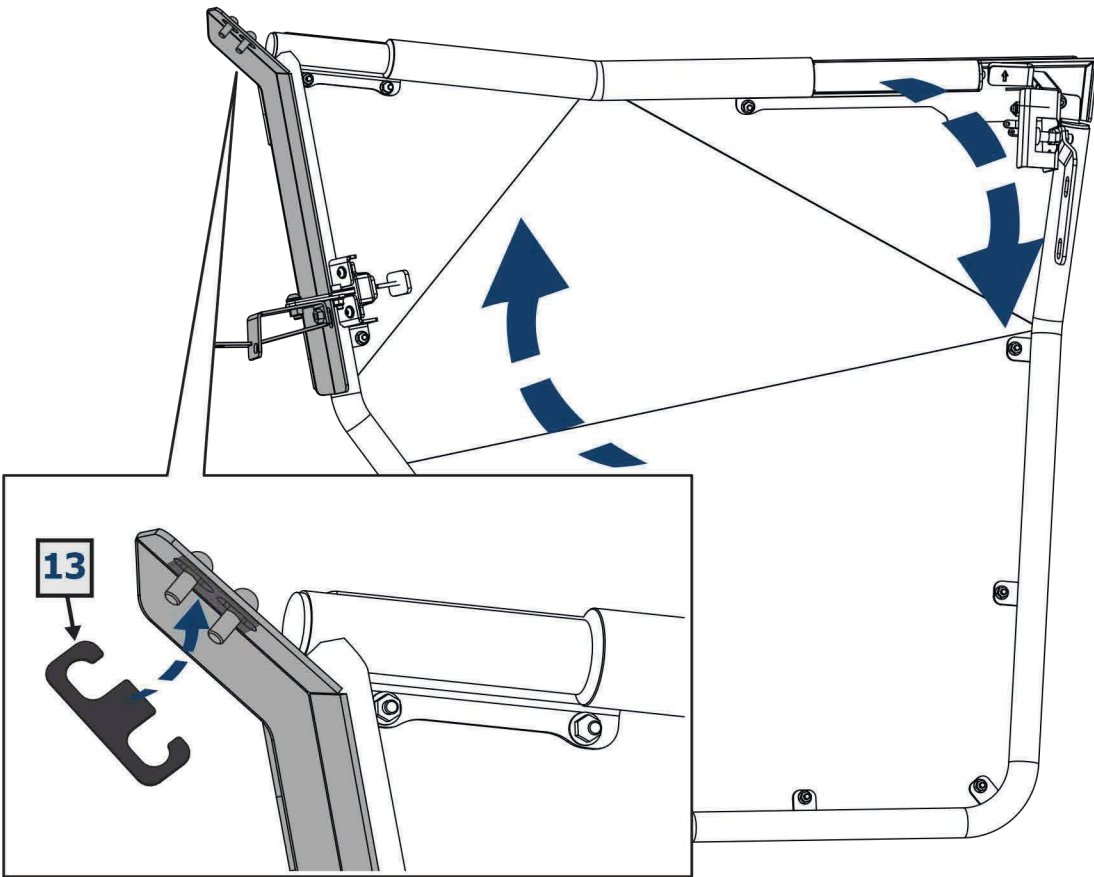
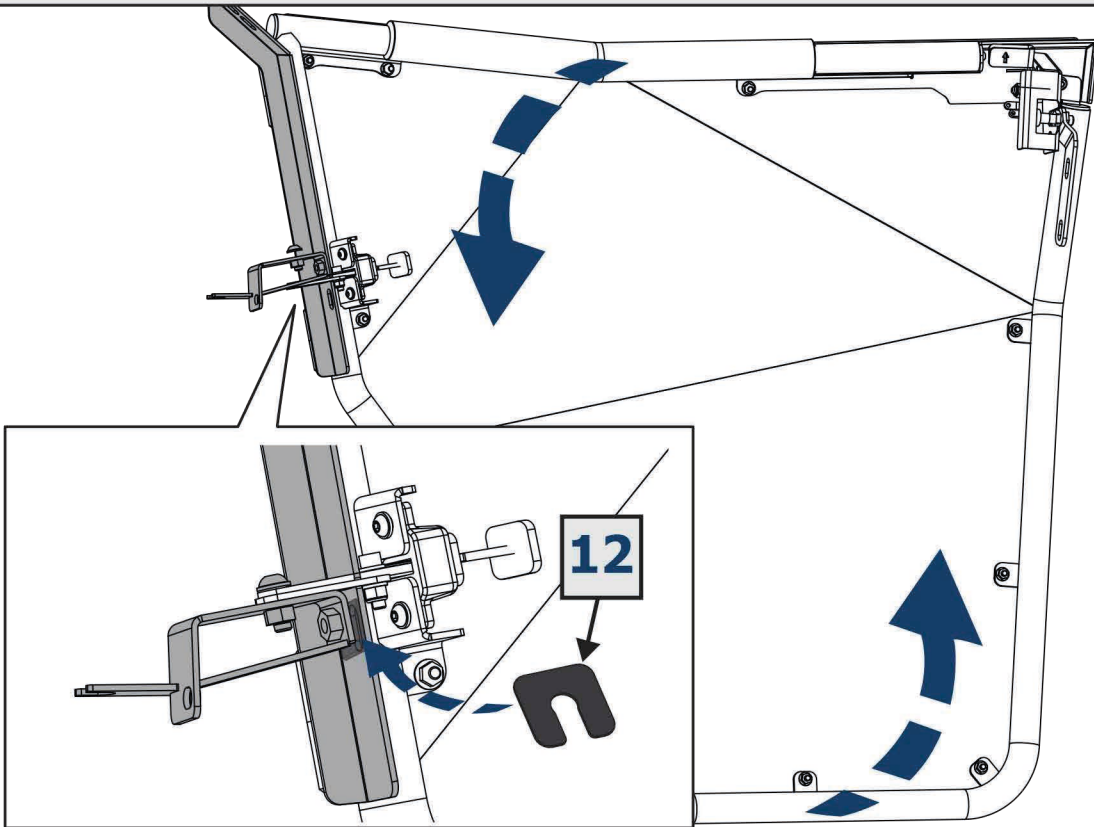




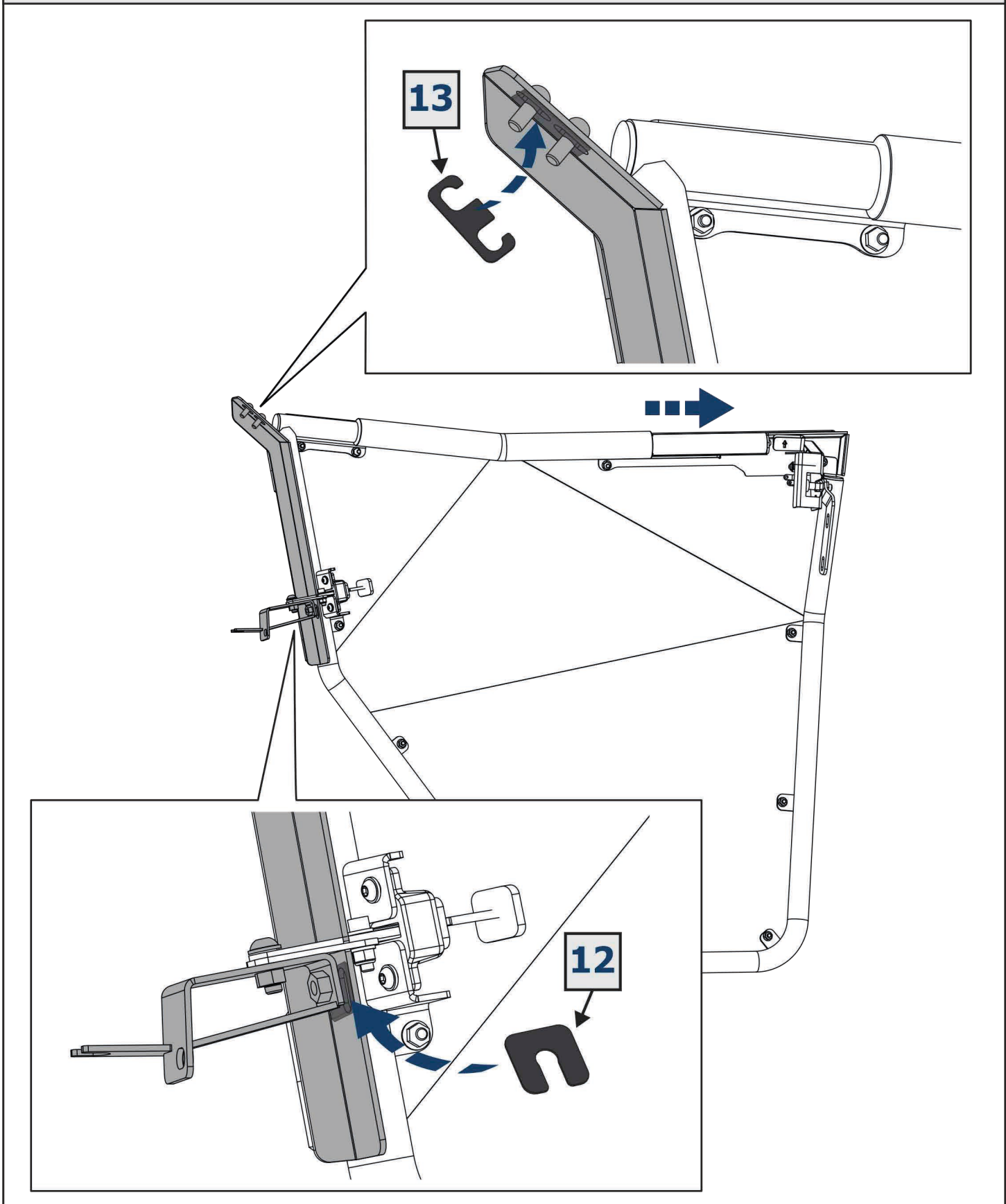




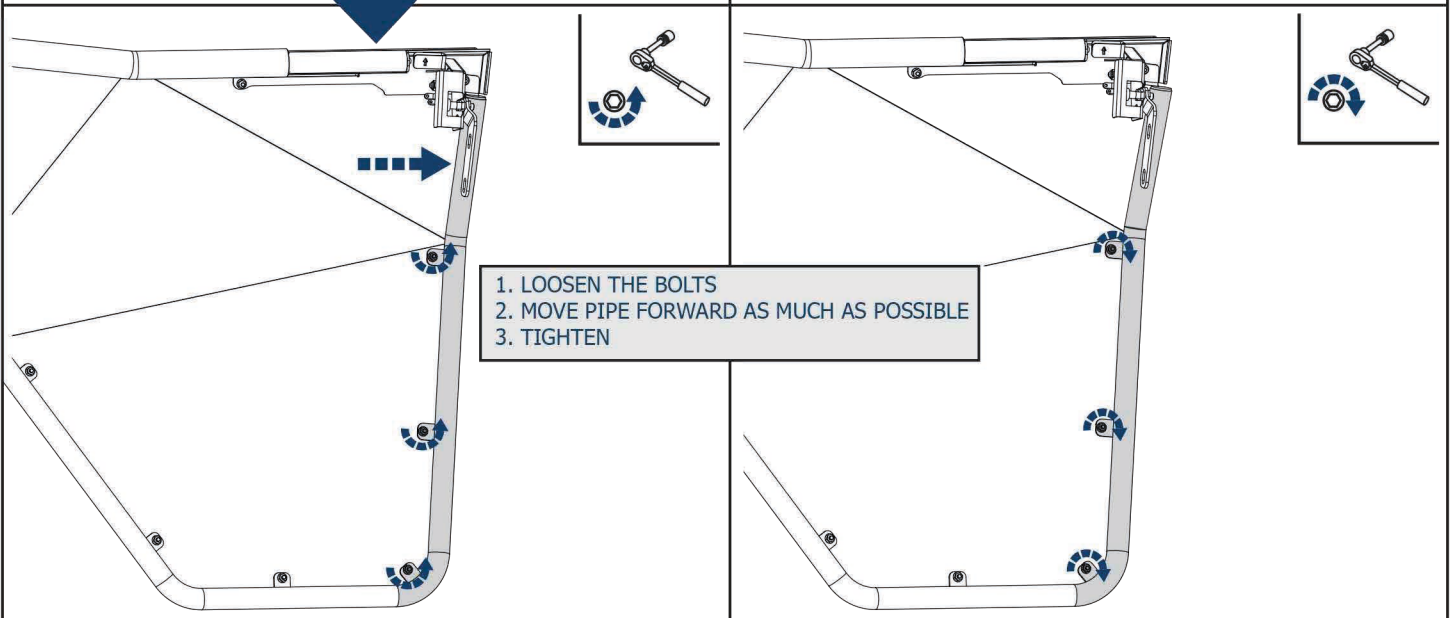
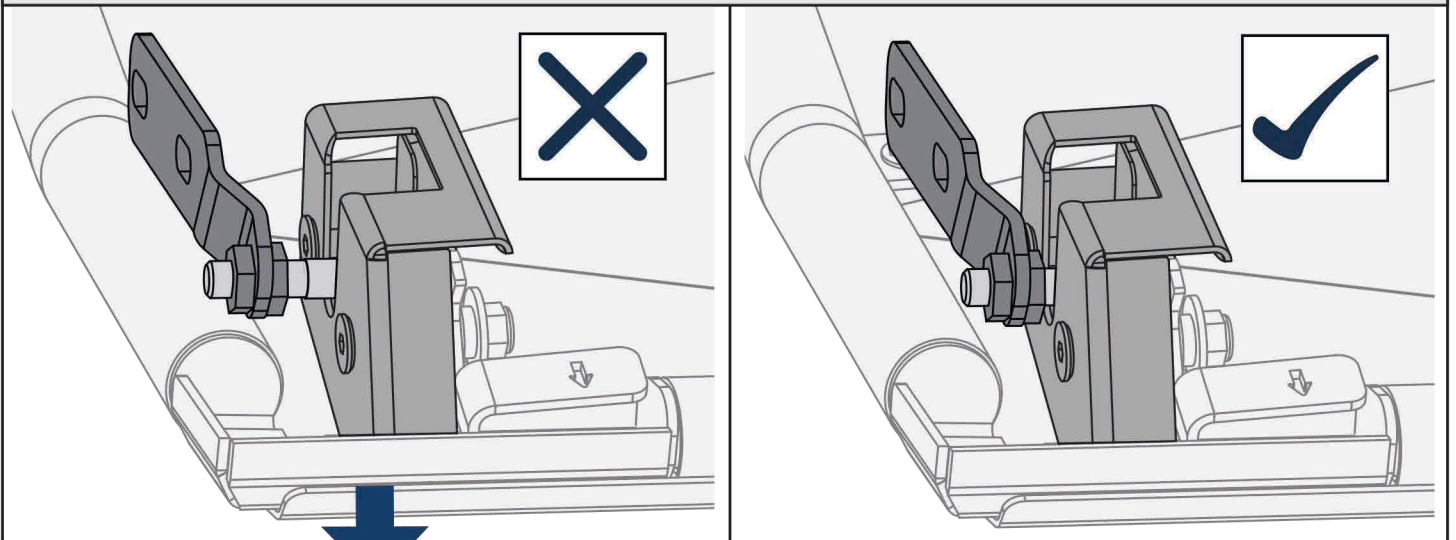
DOOR TILT ADJUSTMENT - ALTERNATE PACKER INSTALLATION LOCATIONS



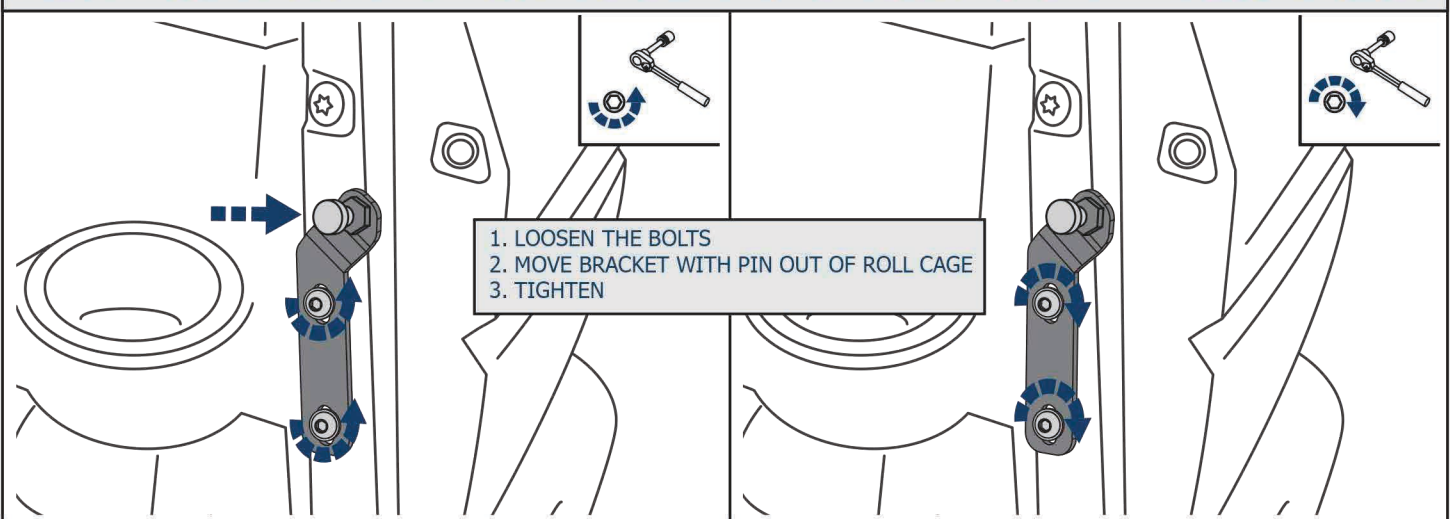
DOOR POSITION ADJUSTMENT - PACKER INSTALLATION AT BOTH LOCATIONS



DO THE FOLLOWING IN CASE IF FRONT BRACKET HITS THE PIPE OF THE DOOR FRAME



ADJUST POSITION OF PIN OF FRONT BRACKET IF LATCH DOESN'T SHUT BY THE SECOND CLICK



EN REAR DOOR KIT INSTALLATION MANUAL

DE MONTAGEEINLEITUNG TÜREN SET

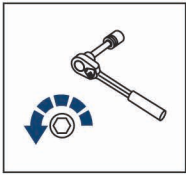
Fitting Video



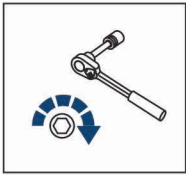
For: Polaris Ranger XP1000 CREW (2019-)

2444.7475.1

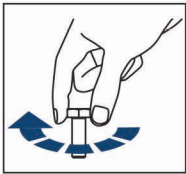




EN Regular fasteners
DE Schraube herausdrehen



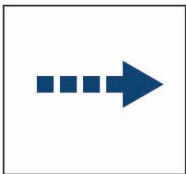
EN Regular fasteners
DE Schraube eindrehen und festziehen



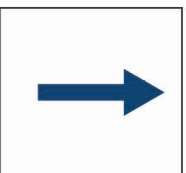
EN Screw a several turns
DE Schraube wenige Umdrehungen eindrehen



EN Loosen bolts
DE Schraube wenige Umdrehungen lösen



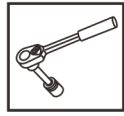
EN Movement Arrow
DE Bewegungsrichtung



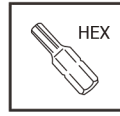
EN Location/Position Arrow
DE Blickrichtung / Postionsrichtung



EN Screw Arrow
DE Drehrichtung



EN Ratchet
DE Ratsche



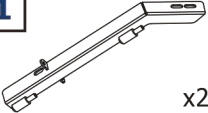



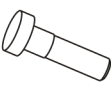
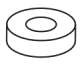
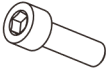
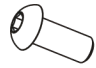
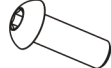








S - 4;
S - 5

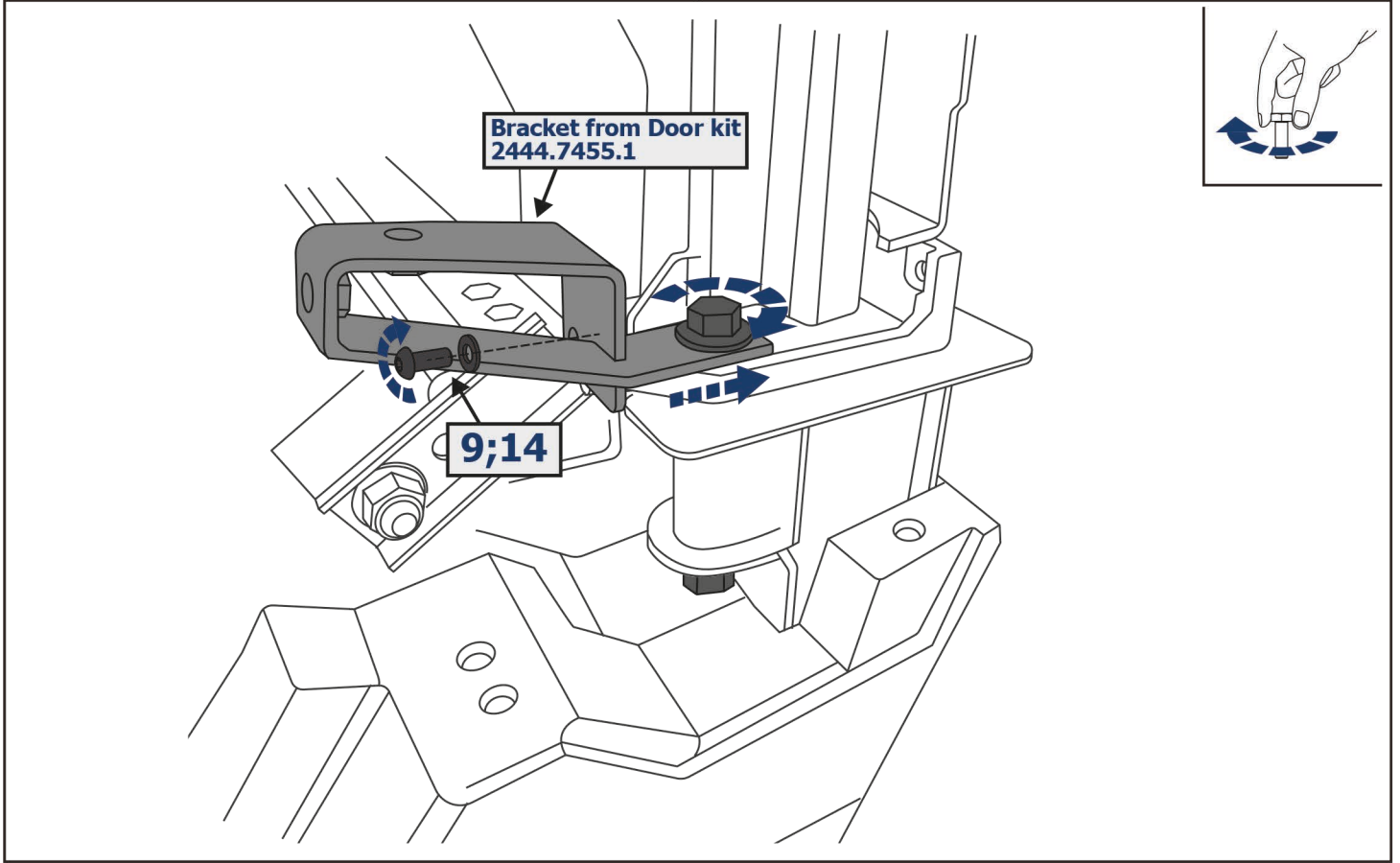
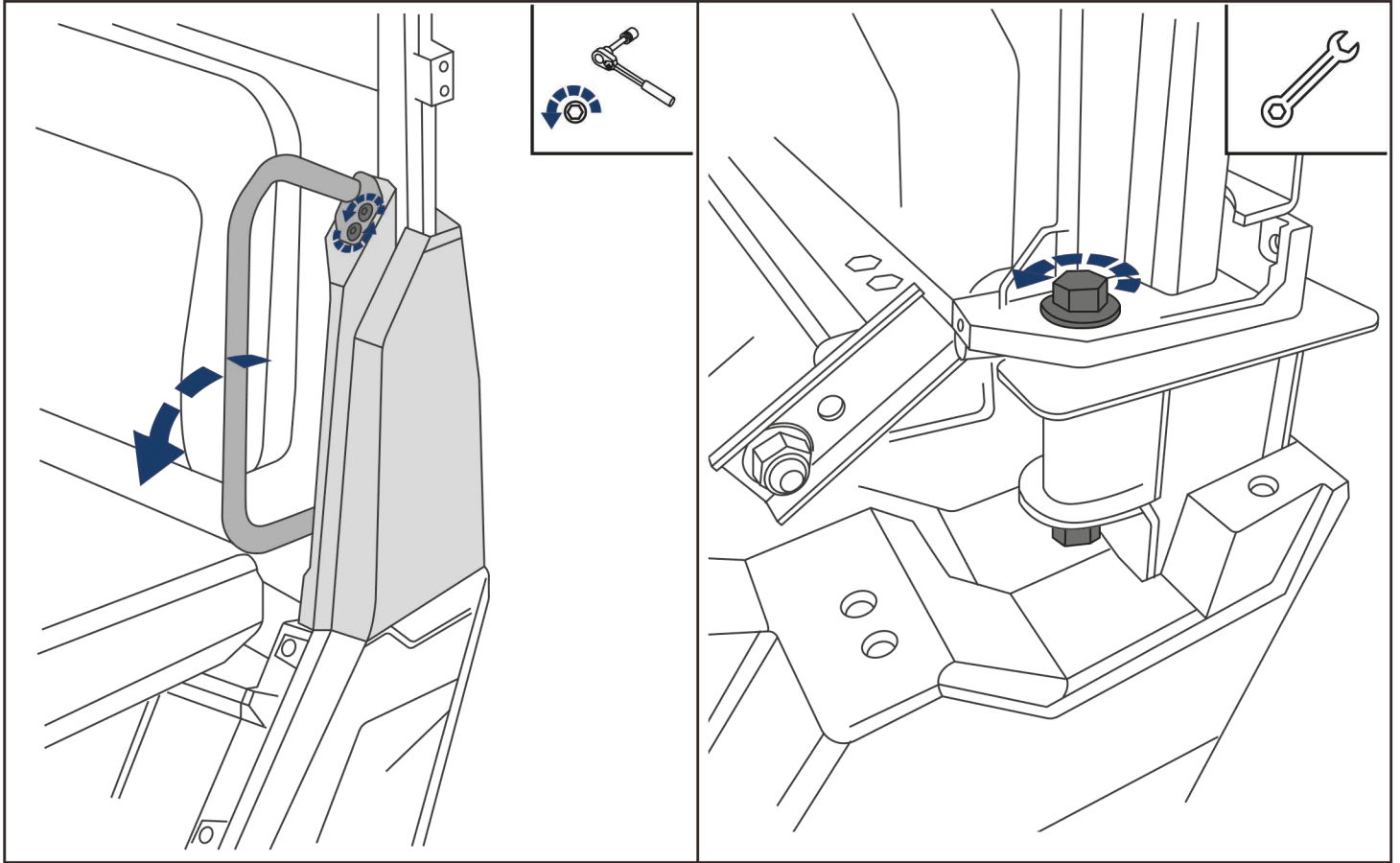
A1

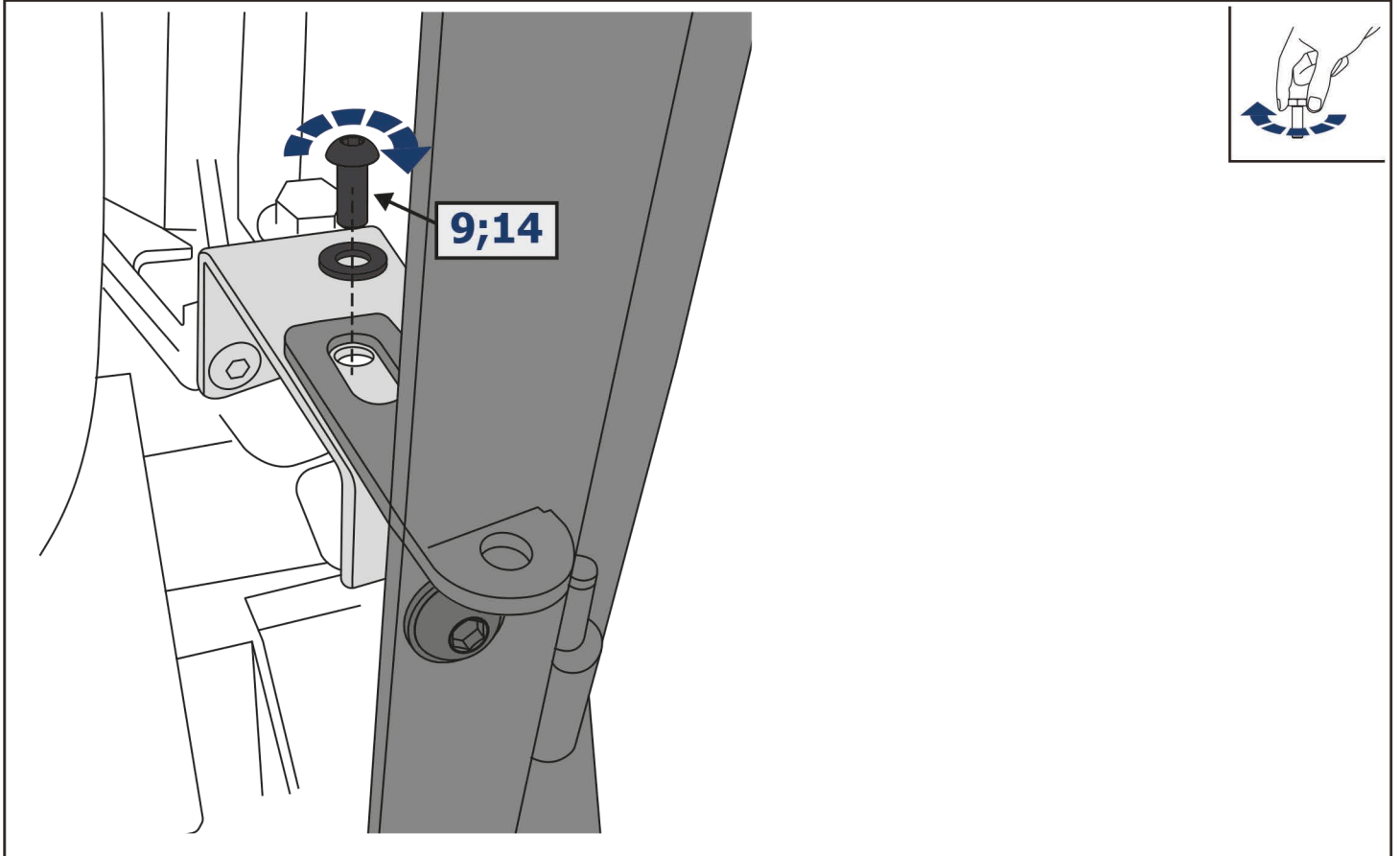
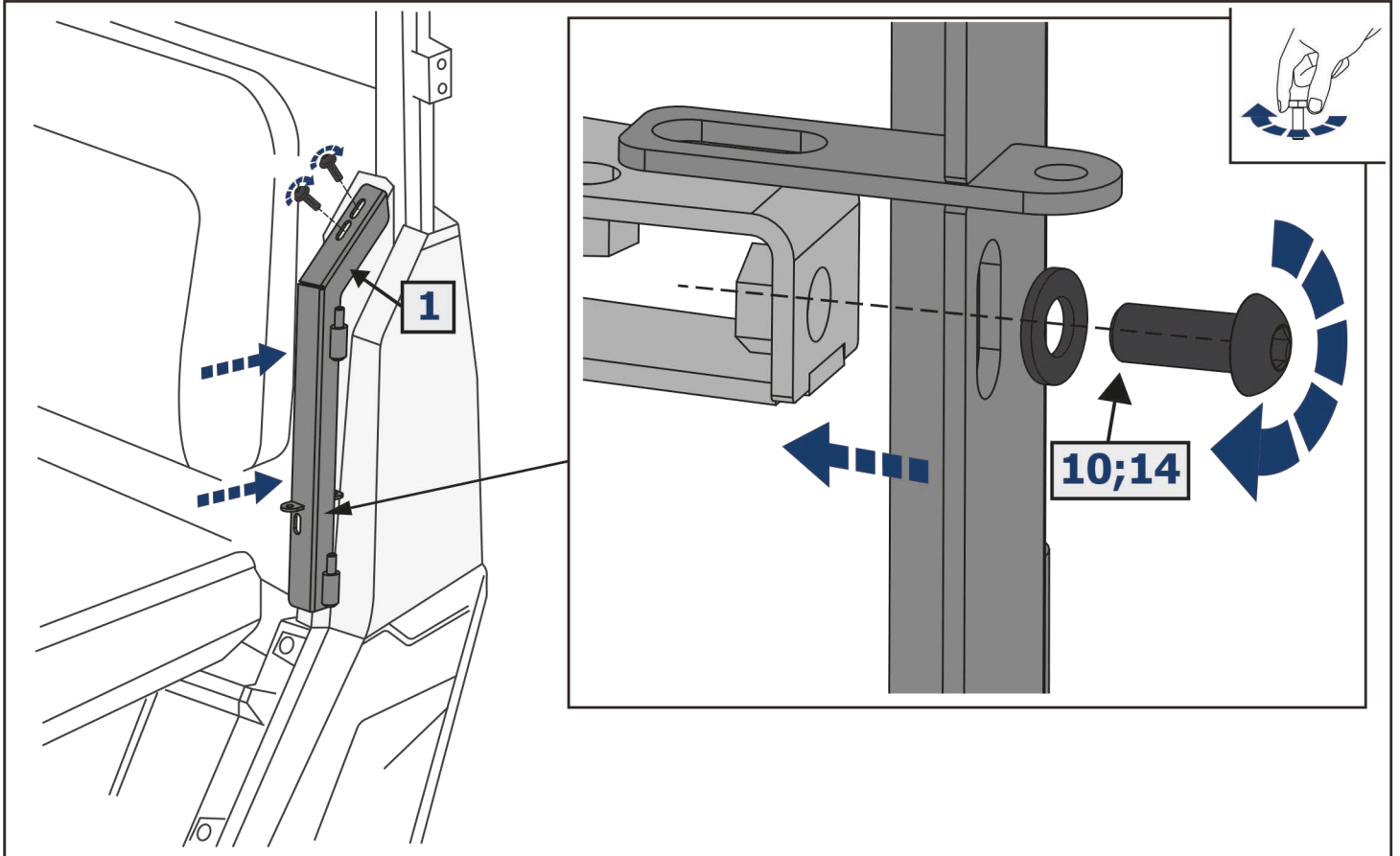


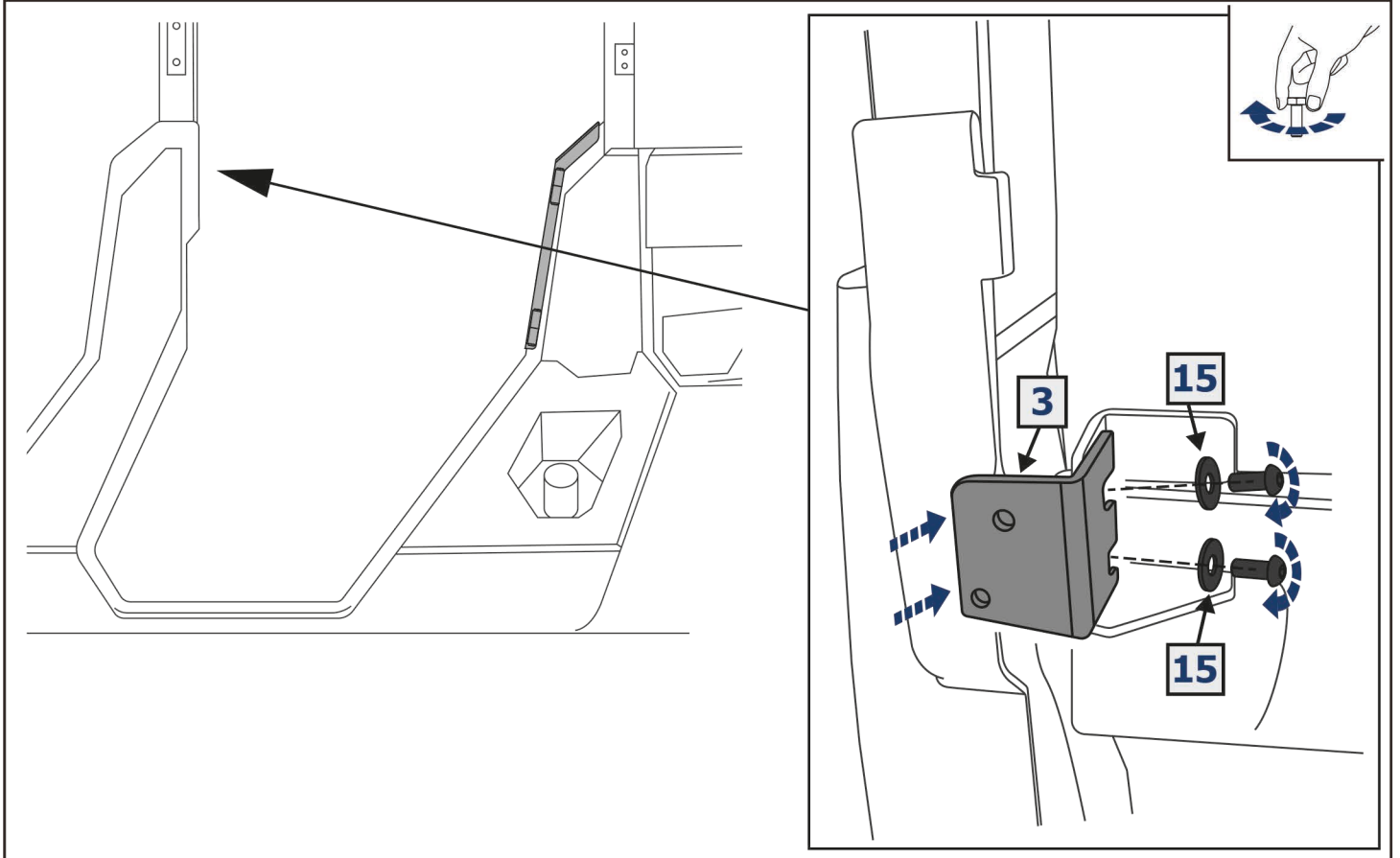
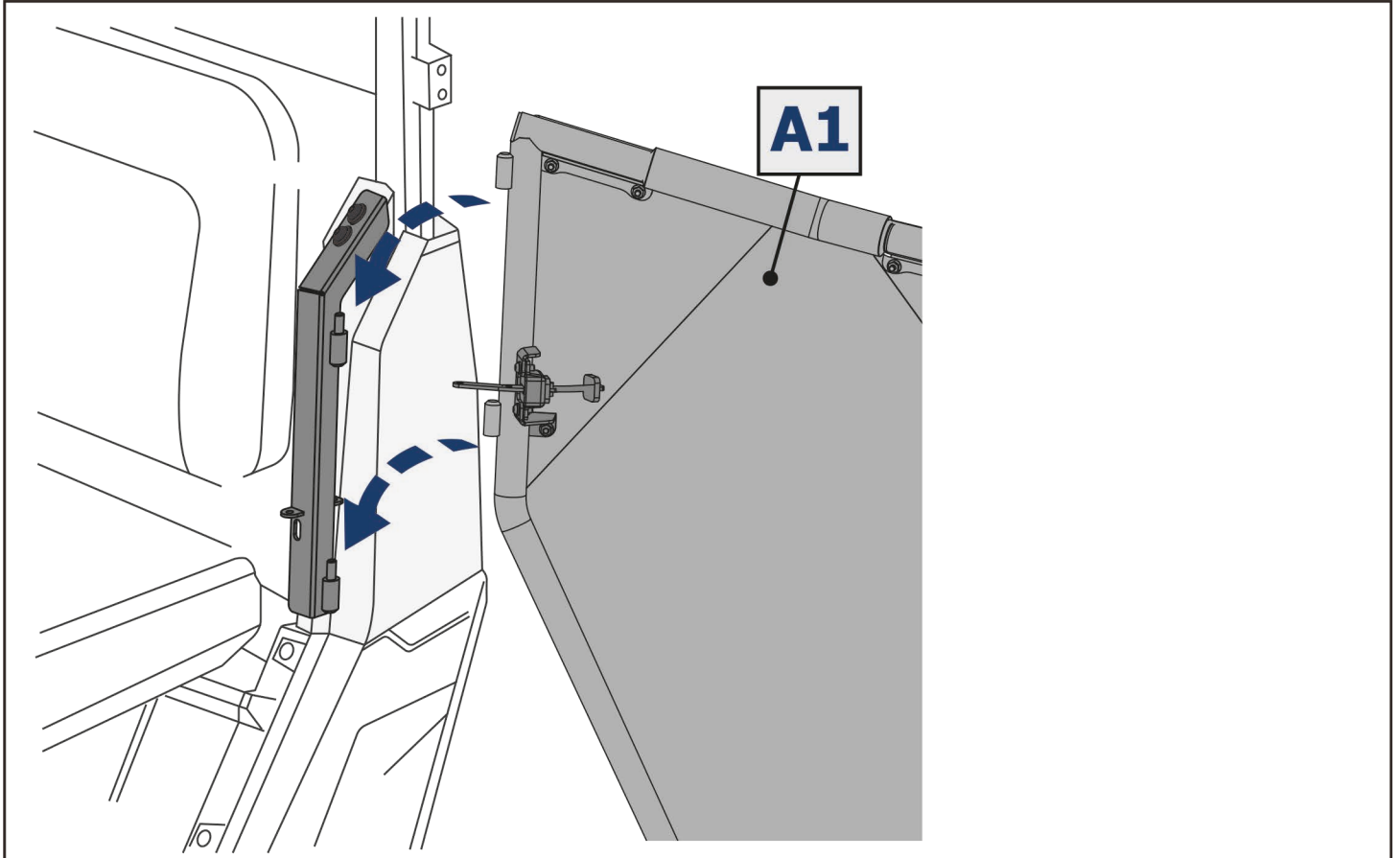
A2

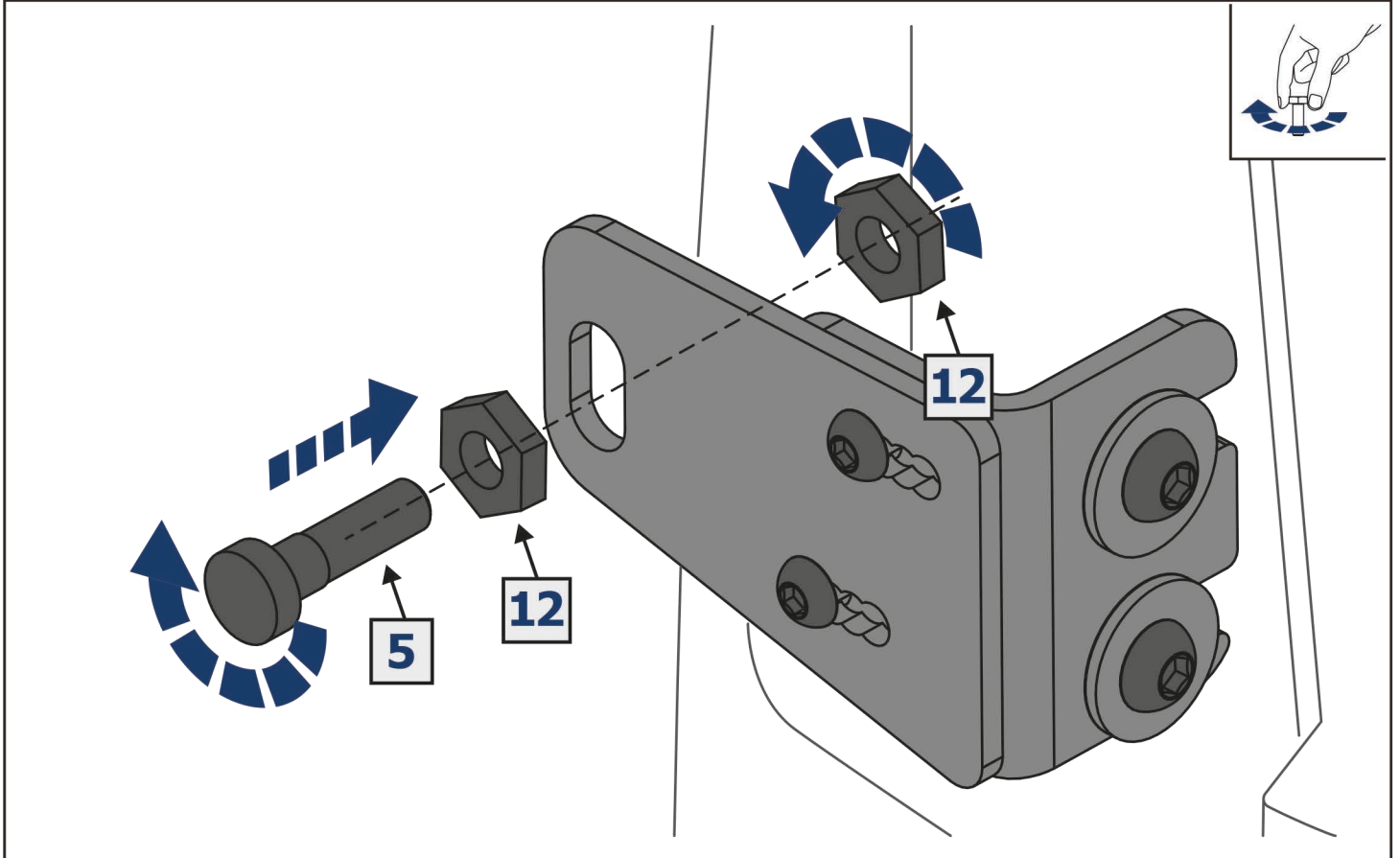
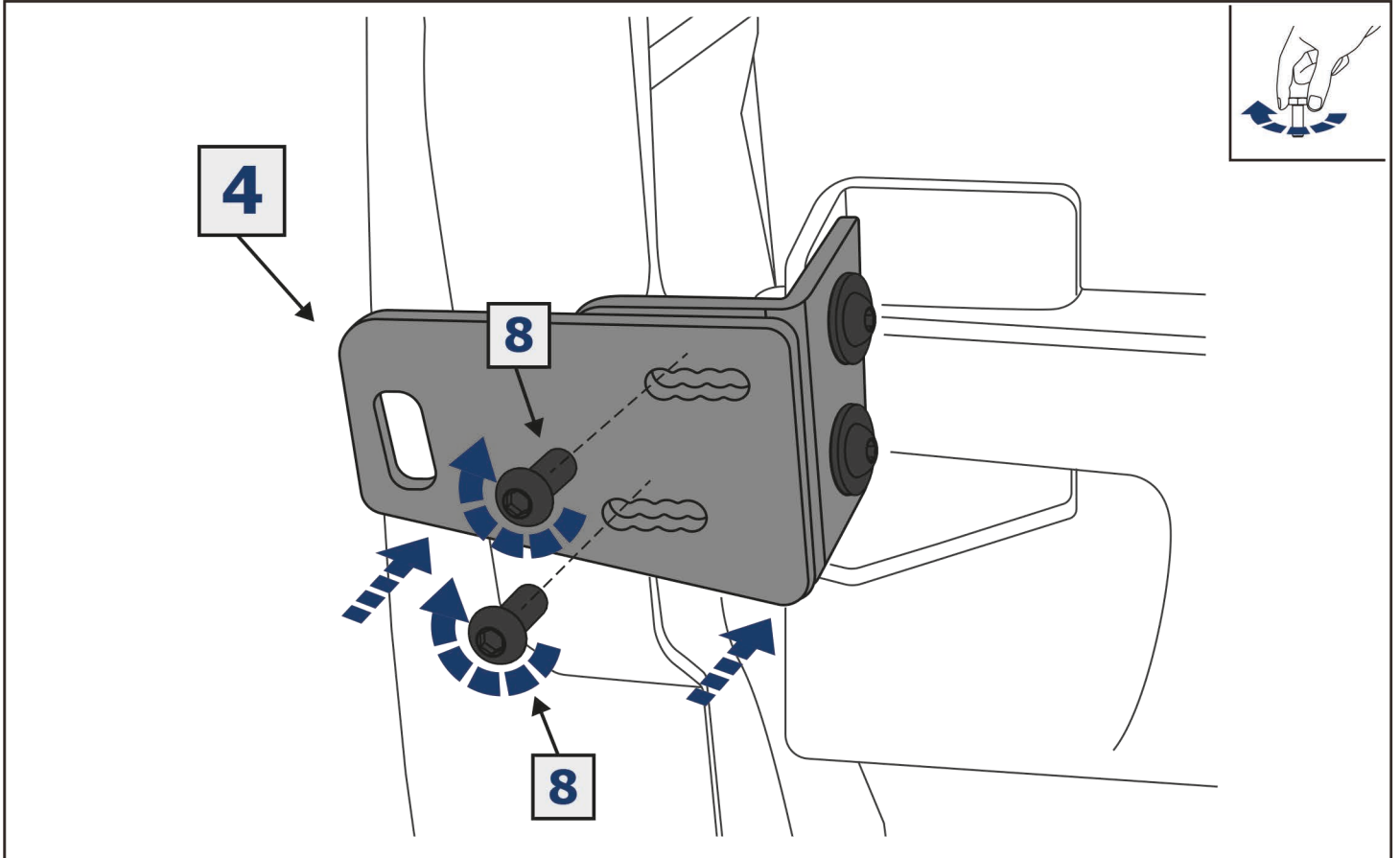


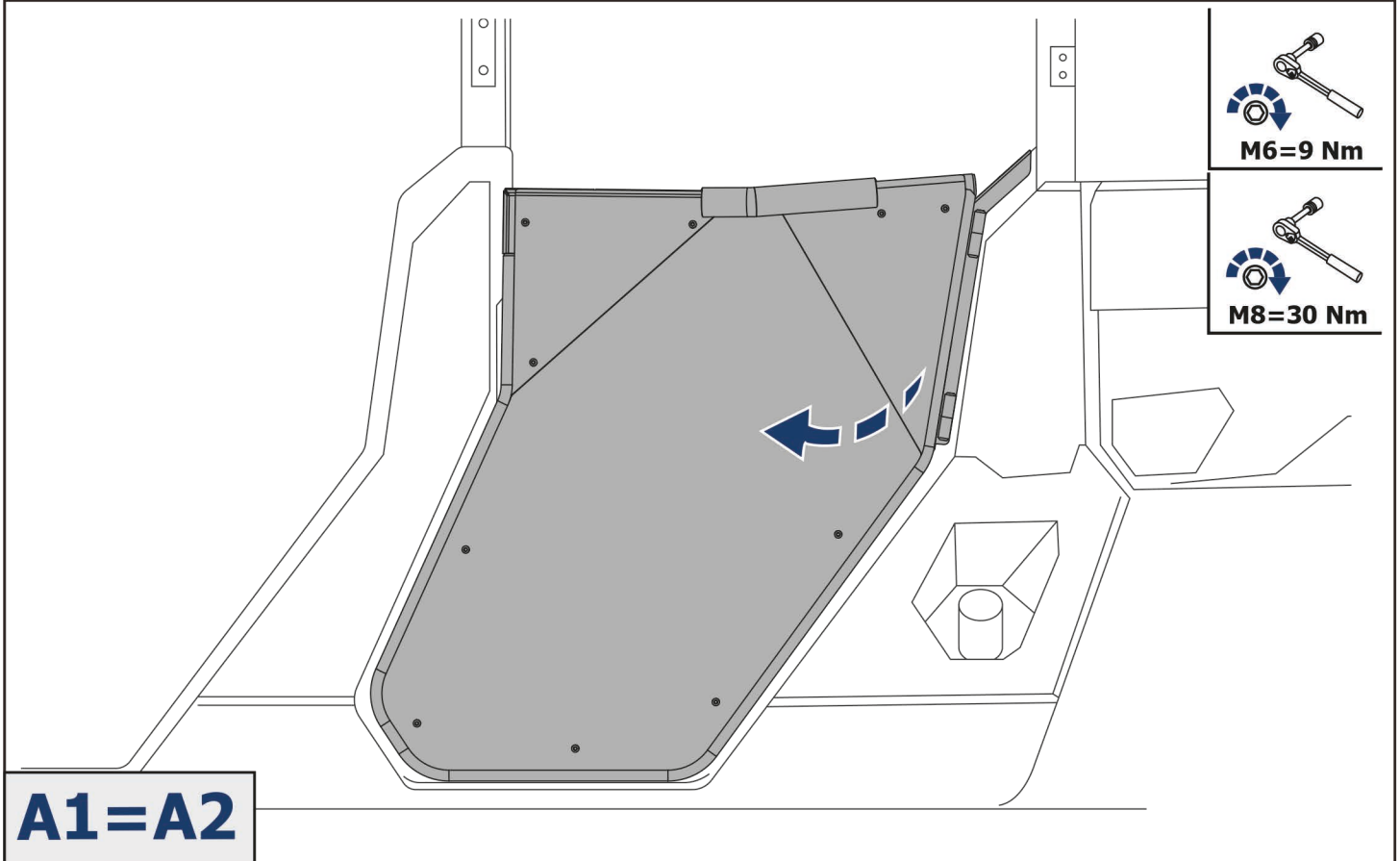
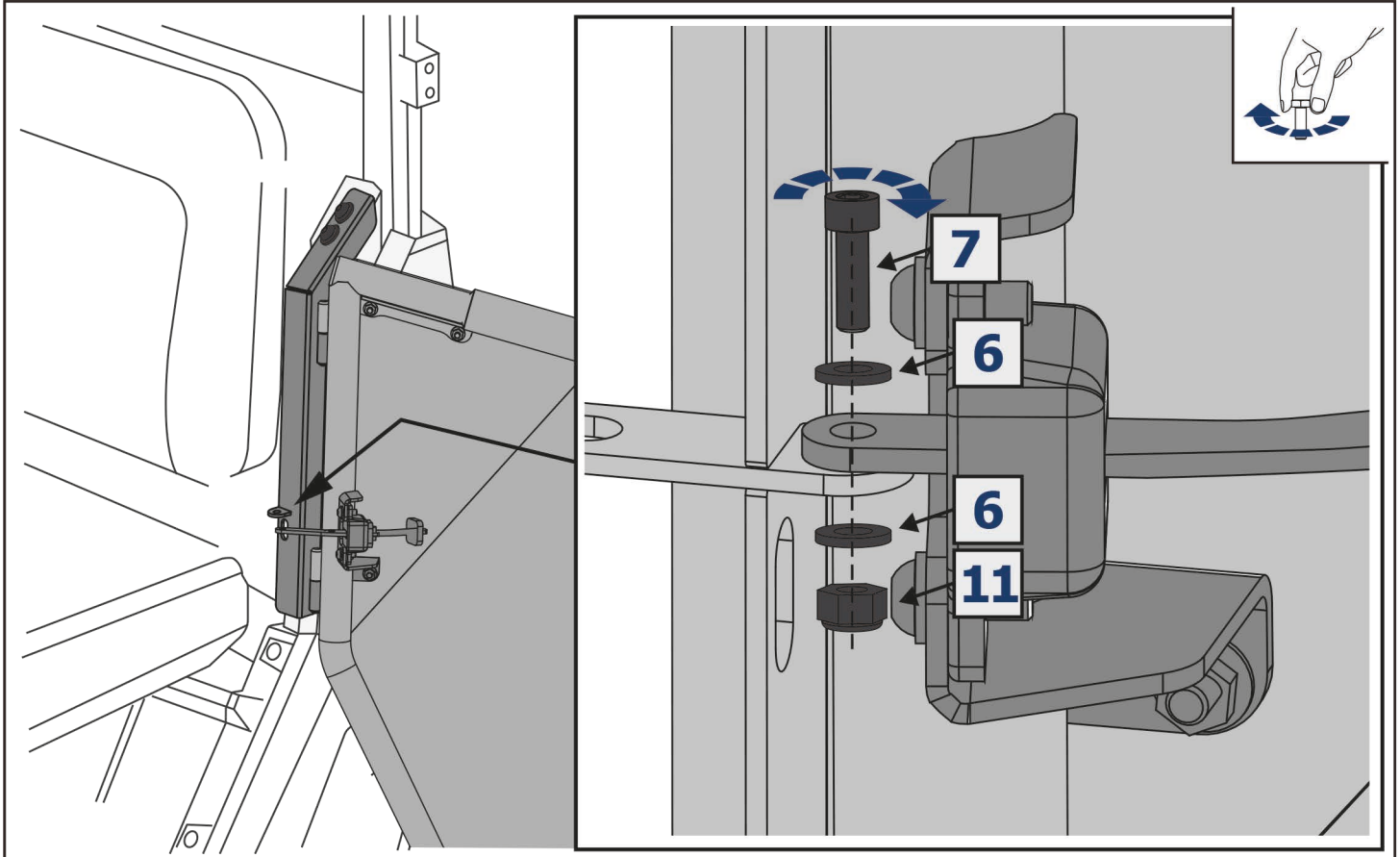
1  x2	2  x2	3  x2	4  x2	5  x2	6  x2
7  M6x20 x2	8  M6x16 x4	9  M8x20 x8	10  M8x30 x2	11  M6 x2	12  M10 x4
13  Ø6 x4	14  Ø8 x10	15  Ø8 x12	16  x4	17  x24	



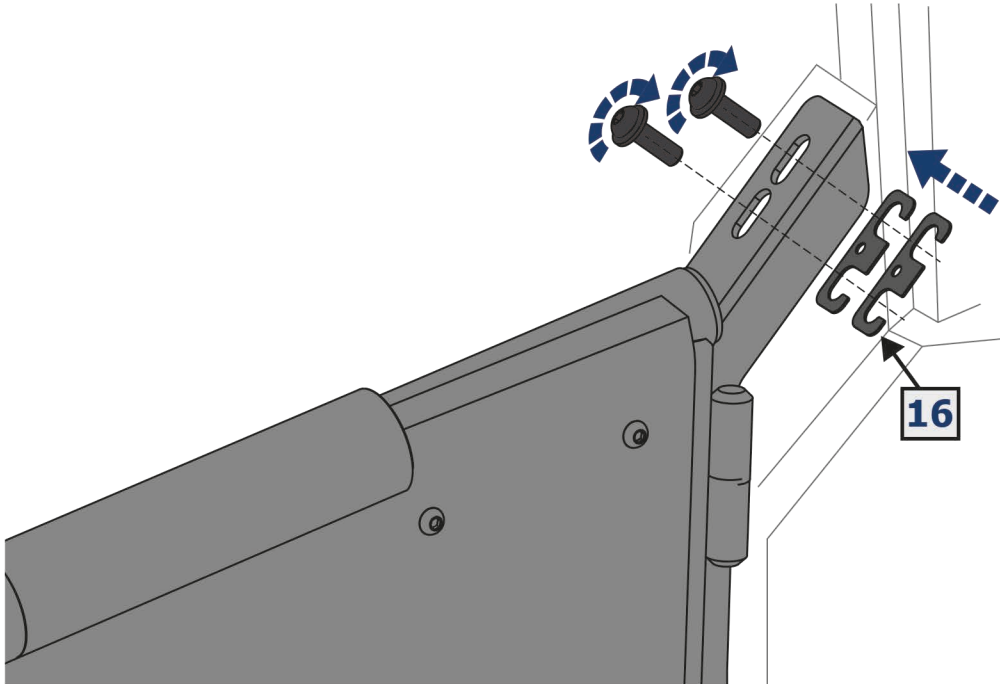




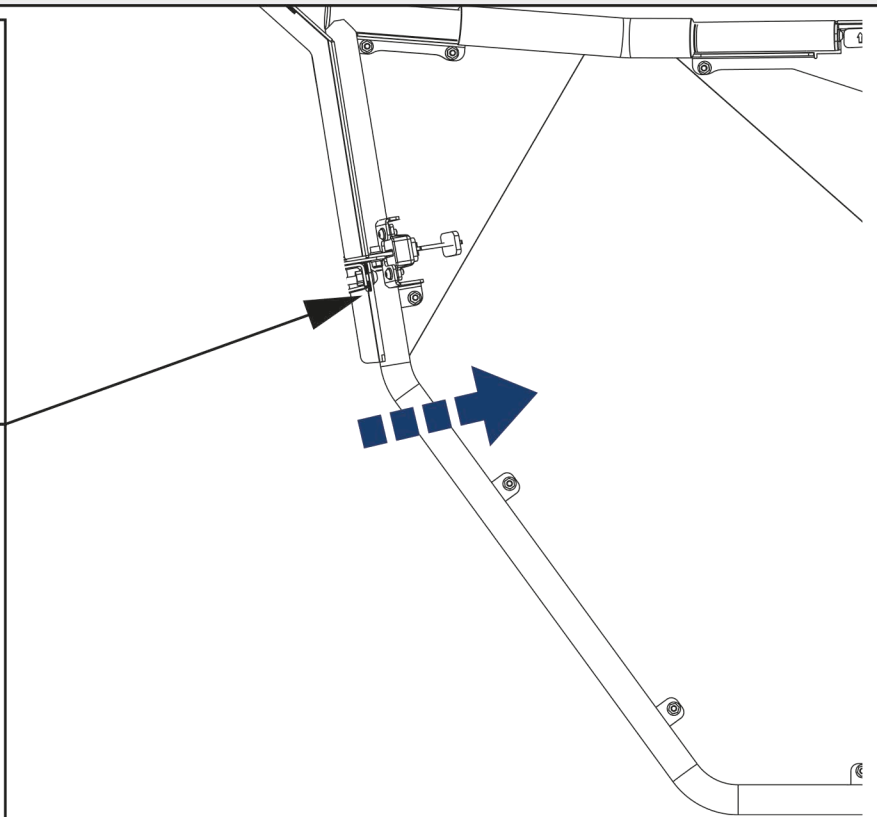
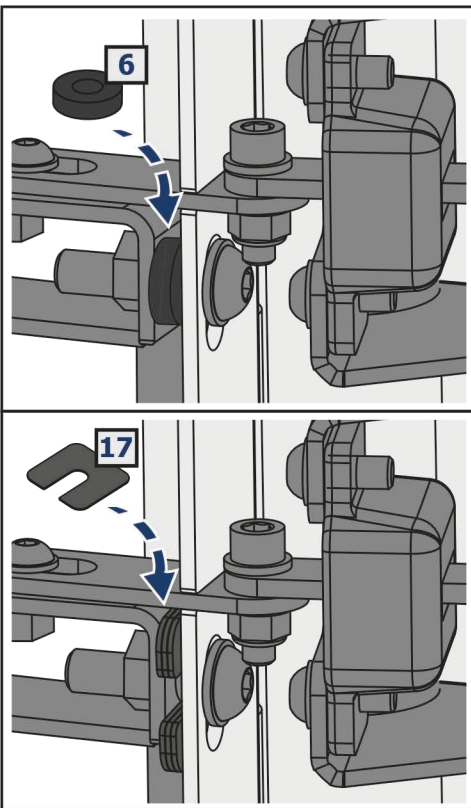




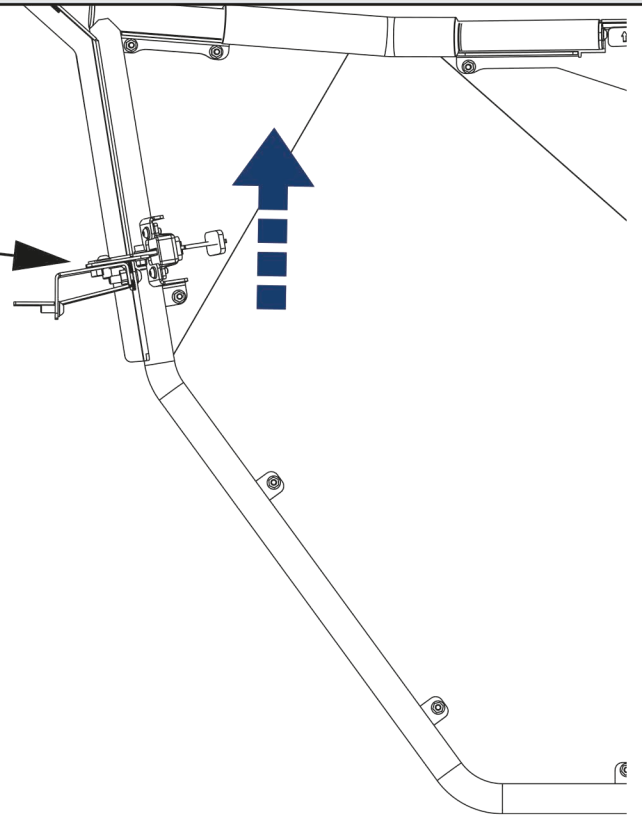
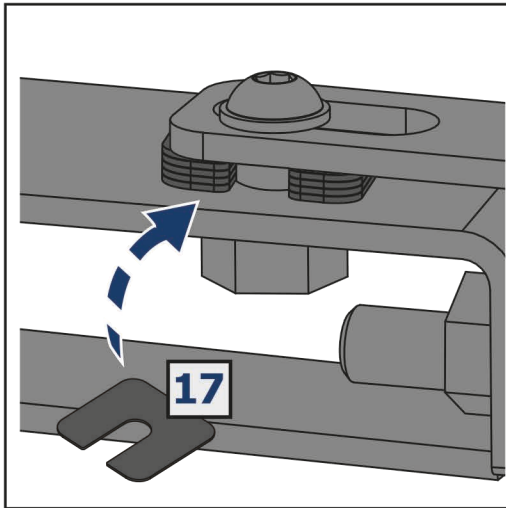
DOOR POSITION ADJUSTMENT - PACKER INSTALLATION AT BOTH LOCATIONS



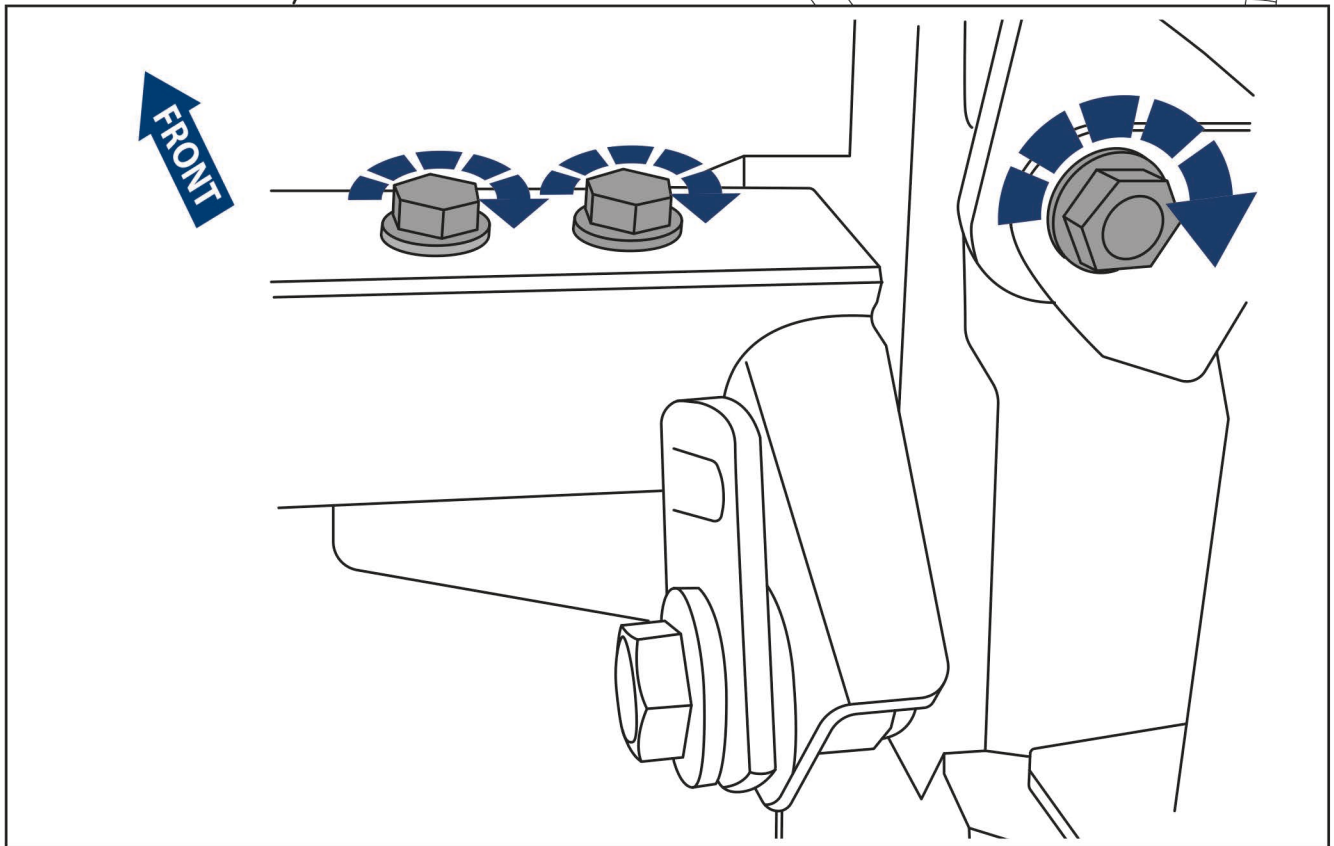
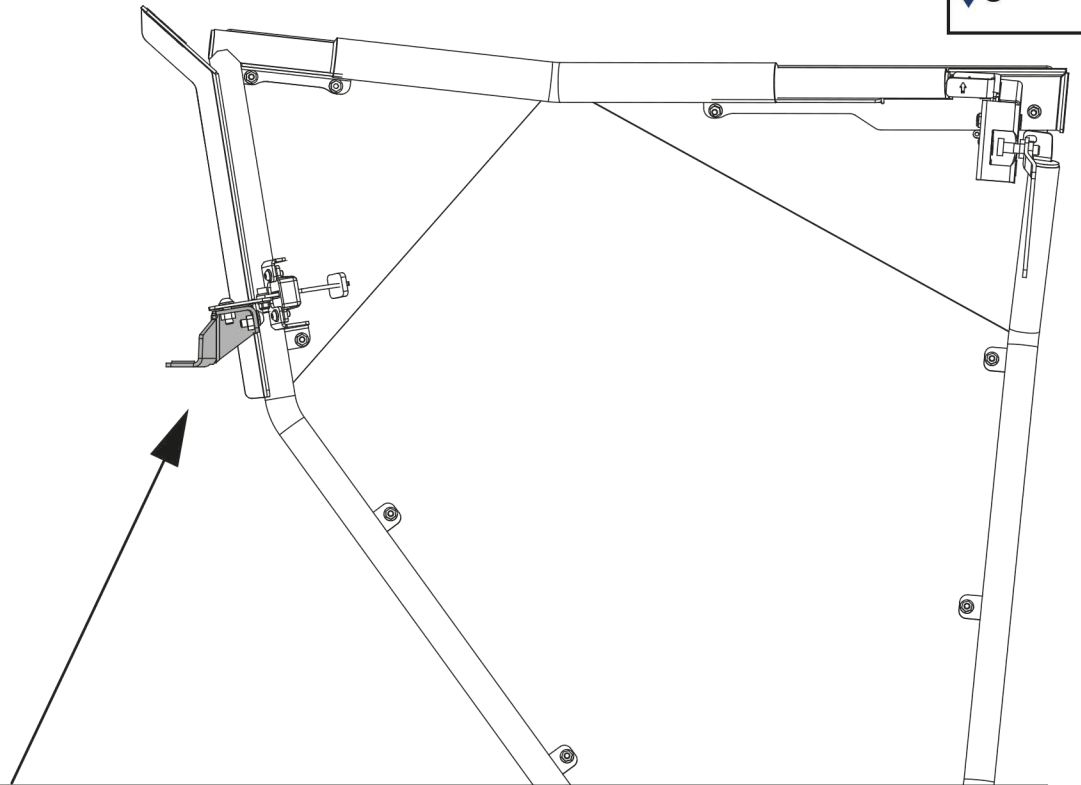
DOOR POSITION ADJUSTMENT - PACKER INSTALLATION AT BOTH LOCATIONS



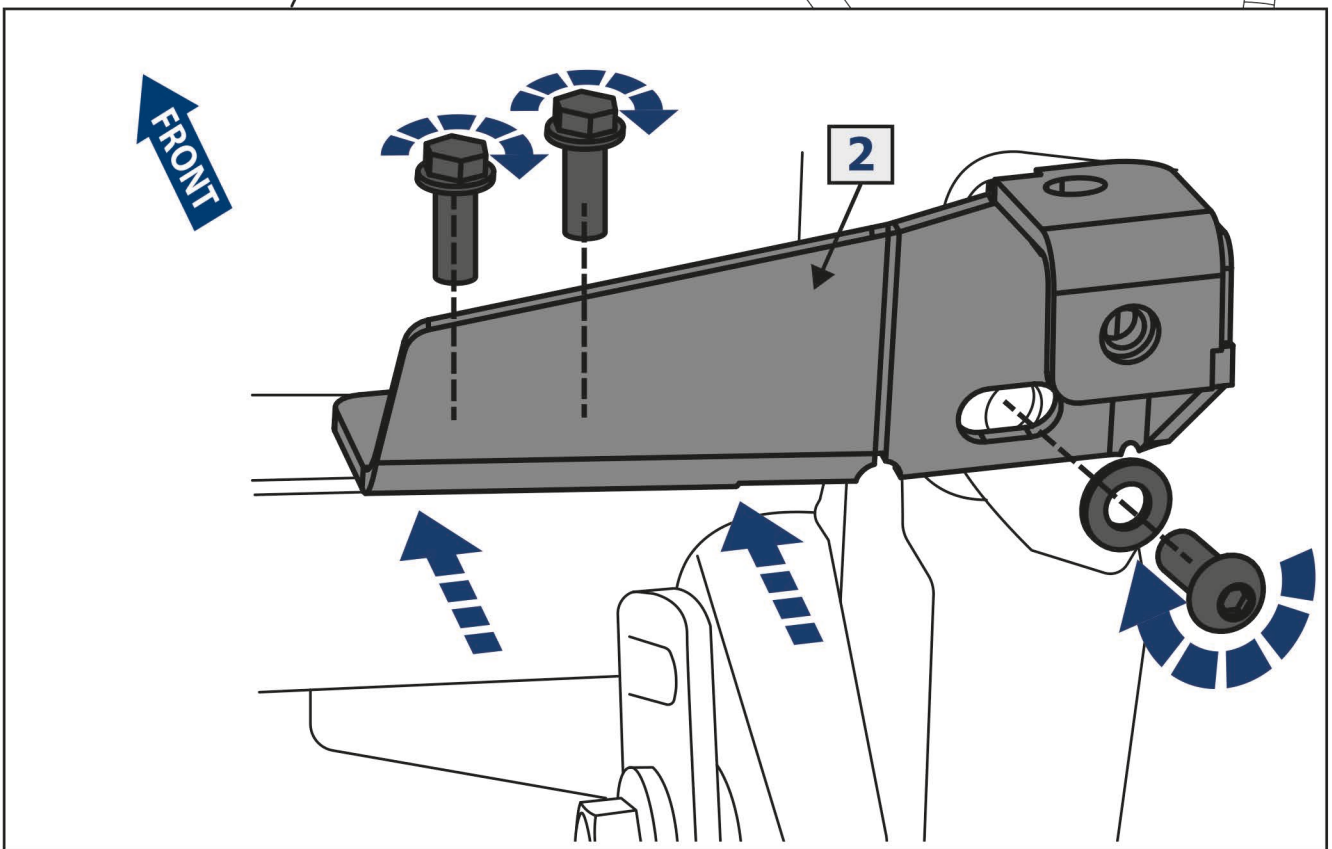
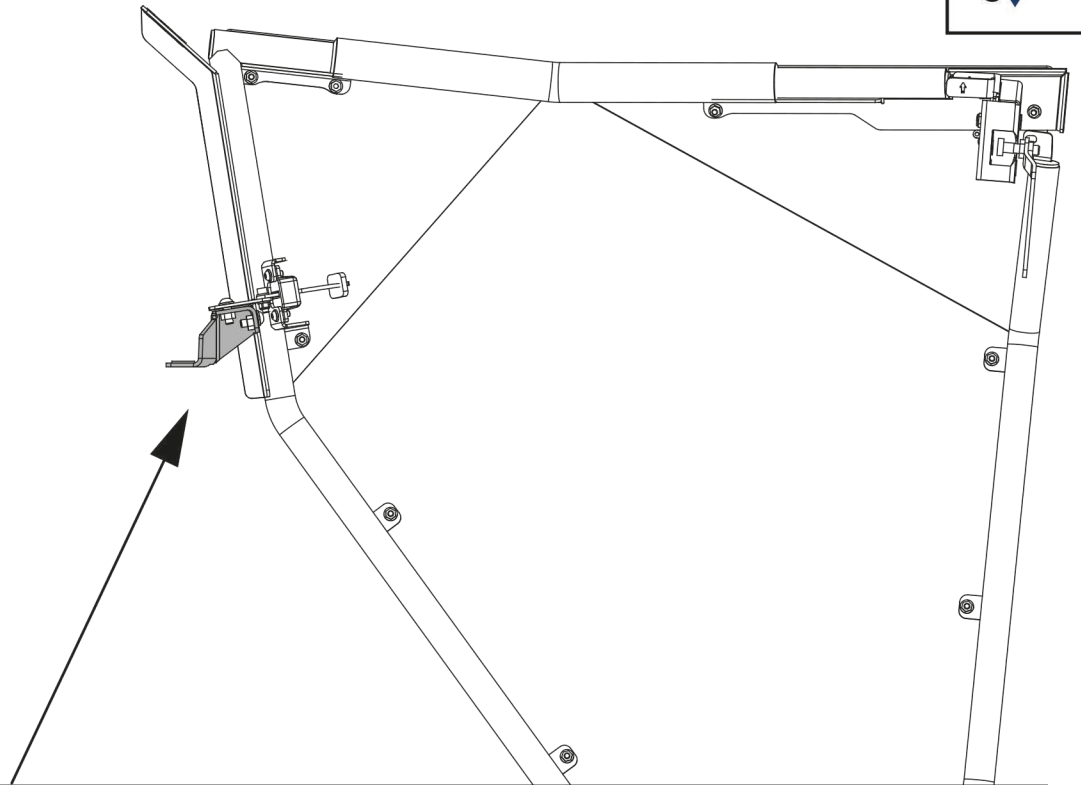
DOOR POSITION ADJUSTMENT - PACKER INSTALLATION AT BOTH LOCATIONS



Front Door kit 2444.7455.1



Front Door kit 2444.7455.1



Front Door kit 2444.7455.1

