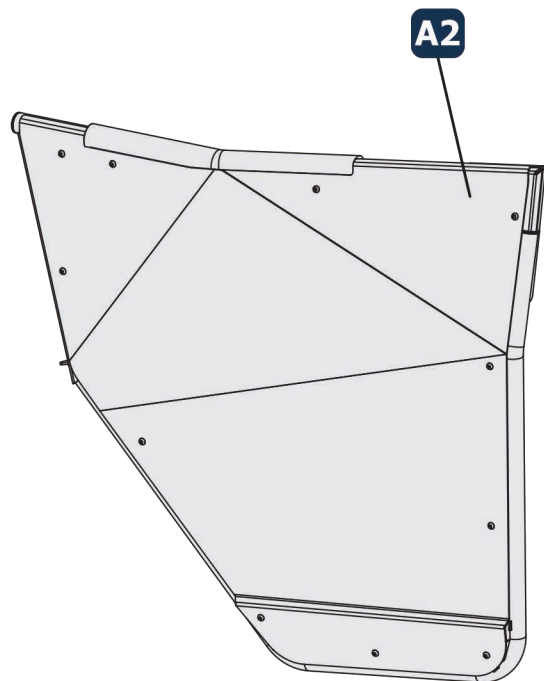
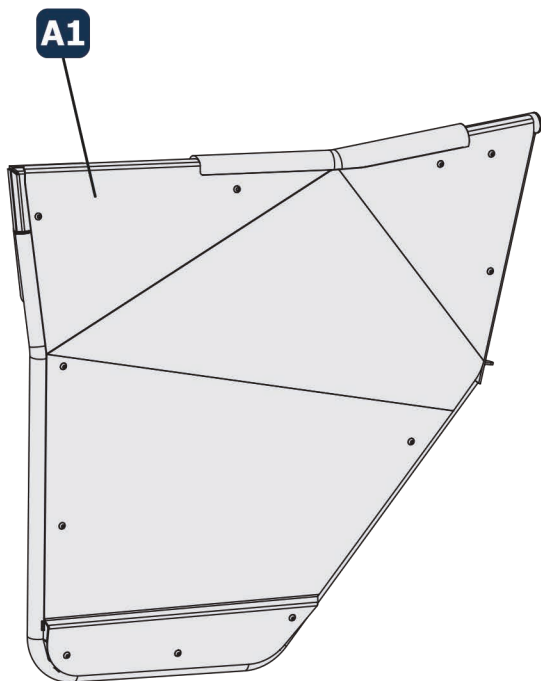


ACCESORY

DOOR KIT
for POLARIS RANGER XP1000 (2018-2022)
2444.7455.2

EN DOOR KIT INSTALLATION MANUAL

DE MONTAGEEINLEITUNG TÜREN SET



FITMENT

Ranger 1000 & Ranger XP 1000
Ranger CREW XP 1000 (with rear doors 2444.7475.2)
Ranger CREW 1000 (with rear doors 2444.7475.2)

 **60**
MIN

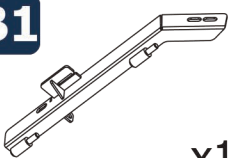
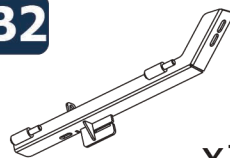
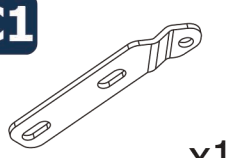
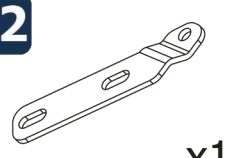
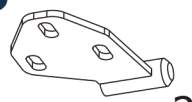
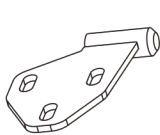
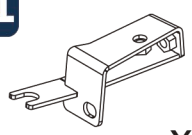
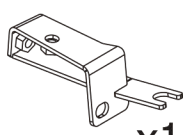
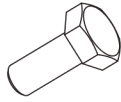
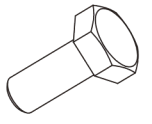

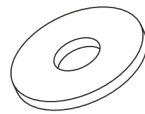

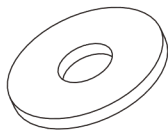
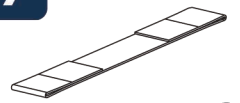
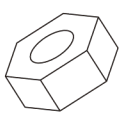
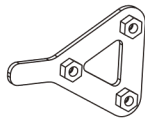

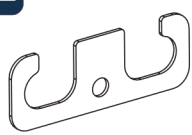
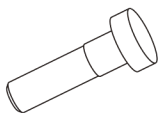

 **40**
MIN

**Read instructions
and view illustrations
before beginning.**



TOOLS REQUIRED
Socket 10, 13
Ratchet
Torque wrench
Boxed wrench
Hex wrench 5mm

TORQUE CHART			
ITEM	N-m	kgf-m	lbf-ft
M6	10.5	1.02	7.7
M8	26	2.65	19
M10	51	5.2	37

24.7455.1-BK1		24.7455.1-BK3		2444.0048.1	
B1  x1	B2  x1	C1  x1	C2  x1	D1  x2	
D2  x2	E1  x1		E2  x1	1  M6x20 x12	2  M8x20 x8
3  Ø6 x12	4  Ø6 x12	5  Ø8 x10	6  Ø8 x10	7  x2	
8  M10 x4	9  x4		10  x10	11  x4	12  M10 x2
13  x8					

1. View before installation.



2. Side view before installation.



3. Unfasten the mesh of the soft door.



4. Unscrew the bottom bolt of the soft door, remove the soft door fixing and screw the bolt back.



5. Unscrew the bolt of the soft door, remove the fixing.



6. Unscrew the bolts of the handrail, take off the handrail.



7. Tilt the bed.



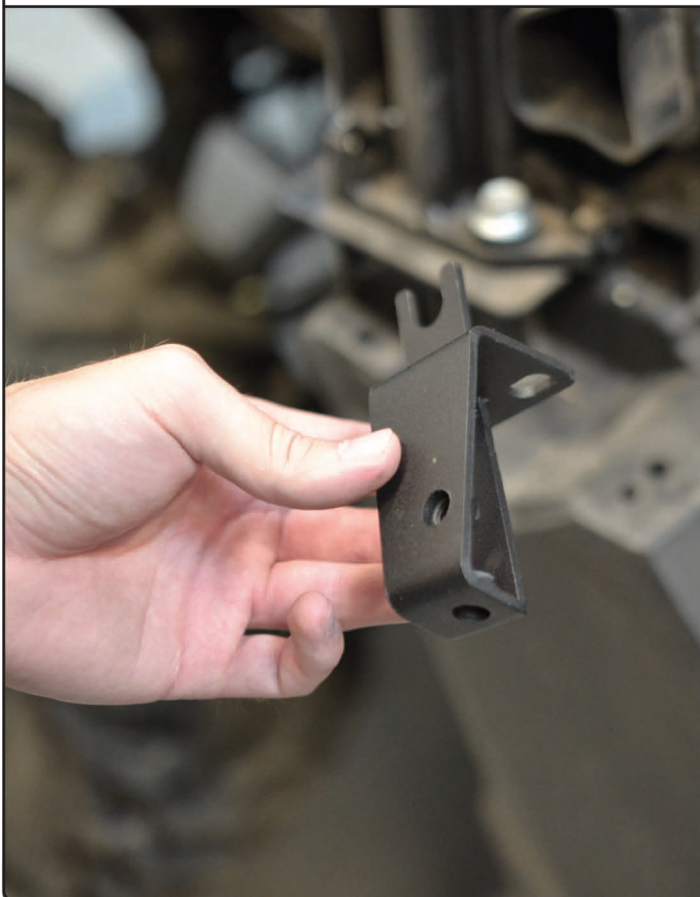
8. Take out the pins of the plastic side cover.



9. Remove the side cover. Unscrew the bolt until a gap of 5 mm is obtained.



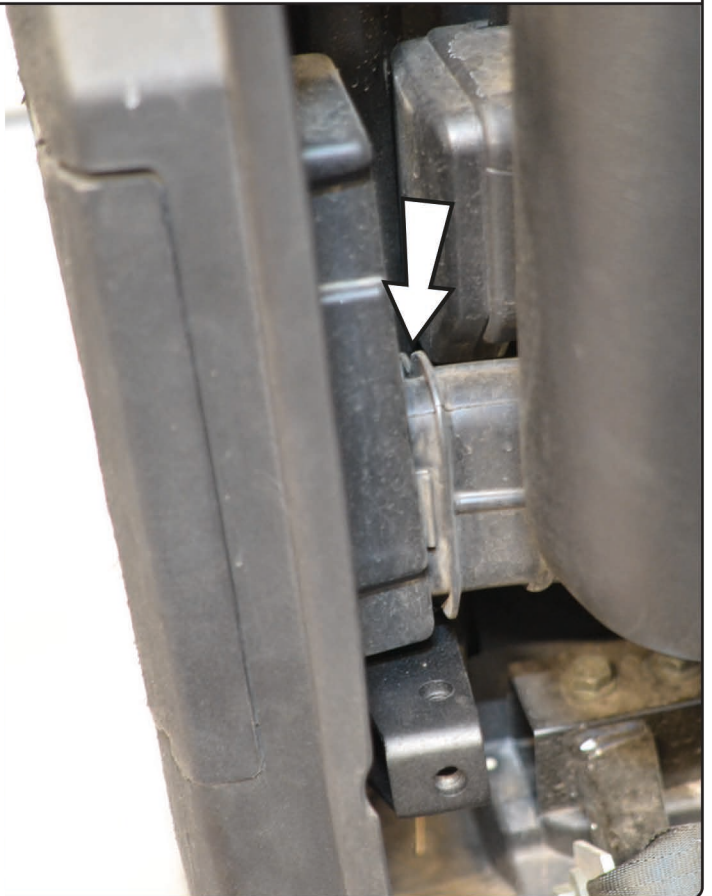
10. Insert bracket E2 between bolt and frame.



11. Tighten OE bolt with 125 Nm. Install M8 bolt 2, washer 5, tighten with 26 Nm.



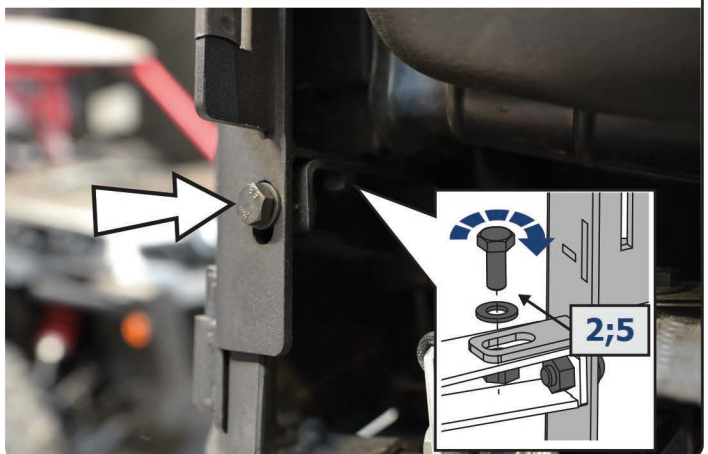
12. Return plastic side cover back. Fixed the hose with the side cover.



13. Install plastic side cover pins back.



14. Install the bracket B2, in the upper part fix it with OE bolts, in the bottom fix it with M8 bolt 2, washer 5. Do not fully tighten the bolts.



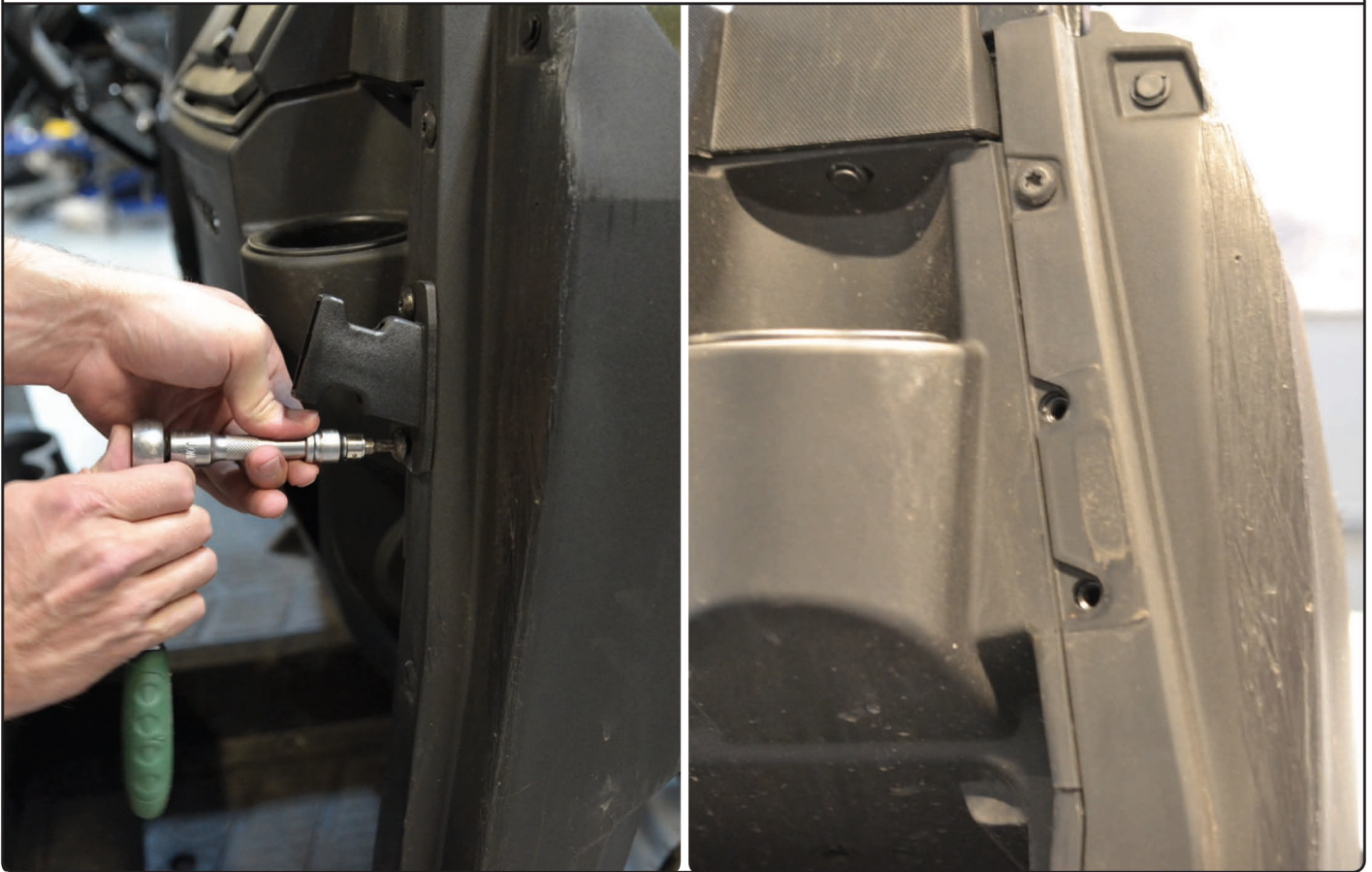
15. Take off the plastic cap.



16. Return the OE bolts back.



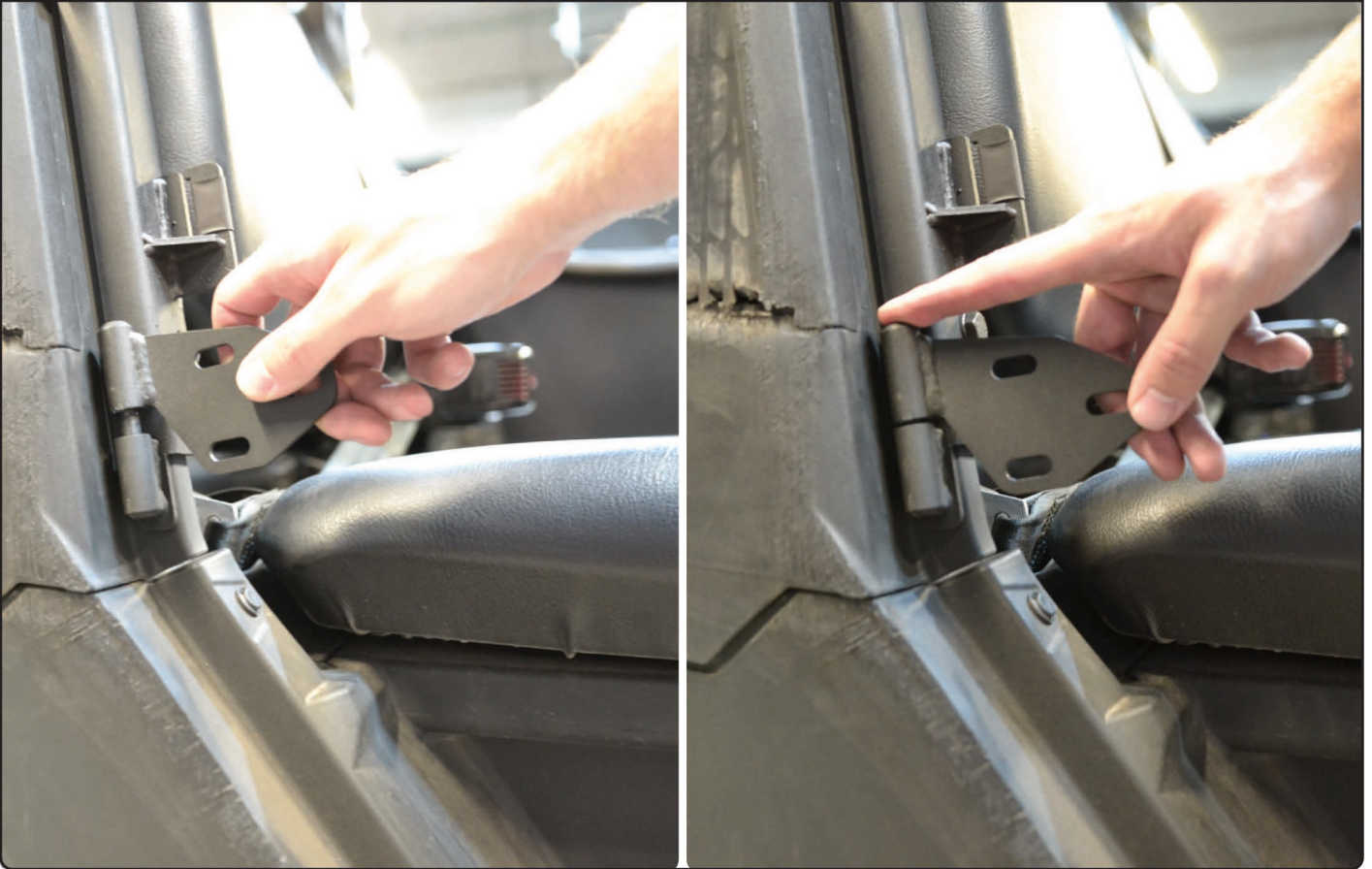
17. Unscrew the latch of the soft door.



18. Put the stricker pin 12 on the bracket C2, fix it with nuts 8 from both sides, fix bracket with OE bolts.

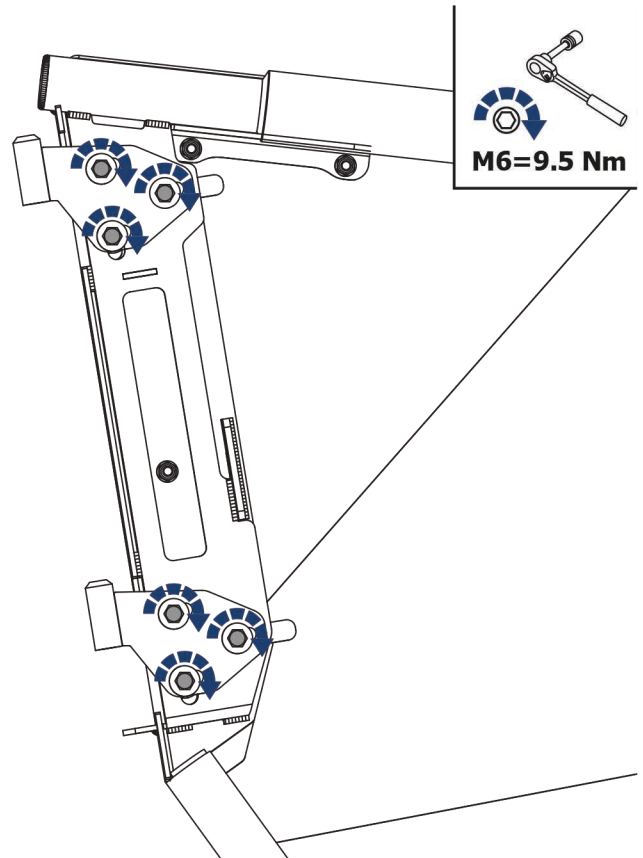
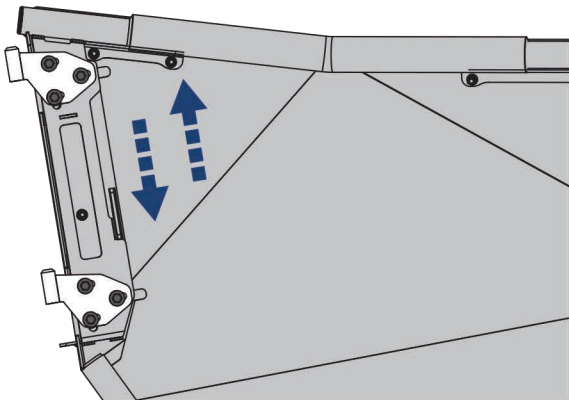
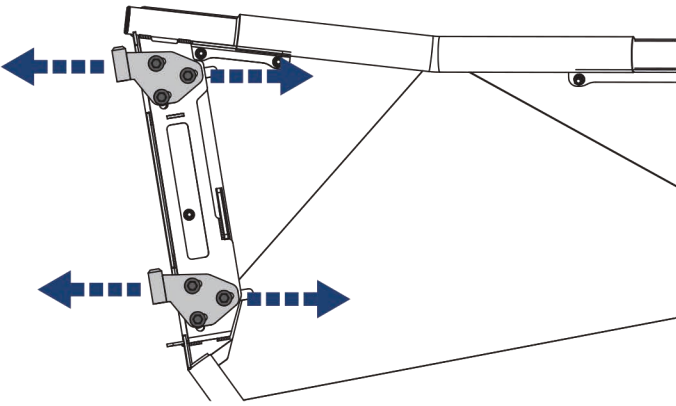
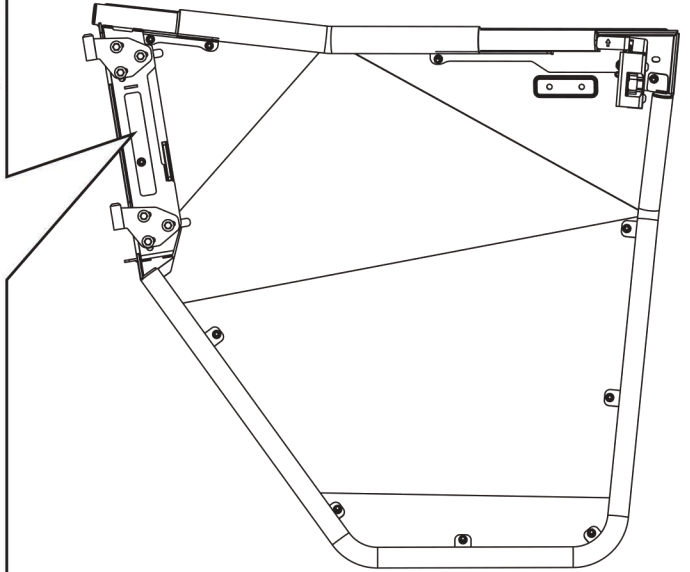
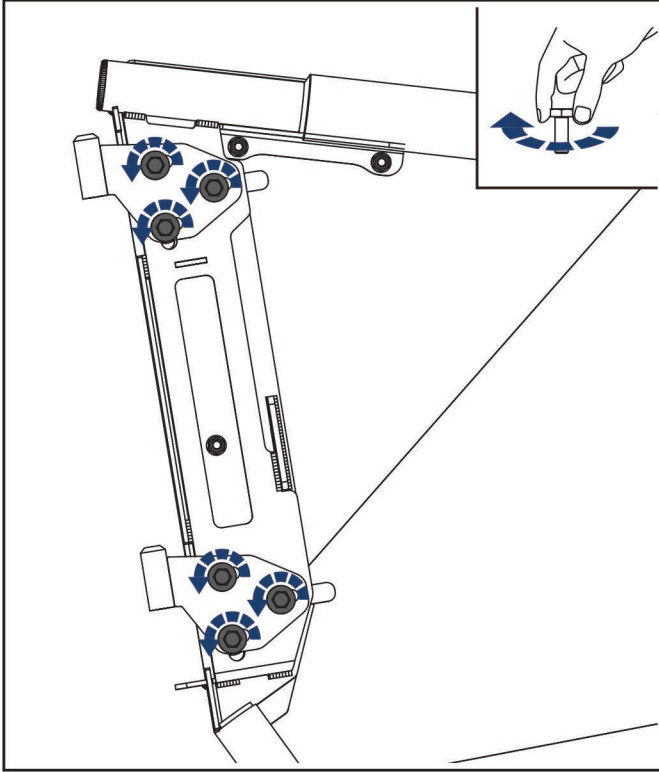


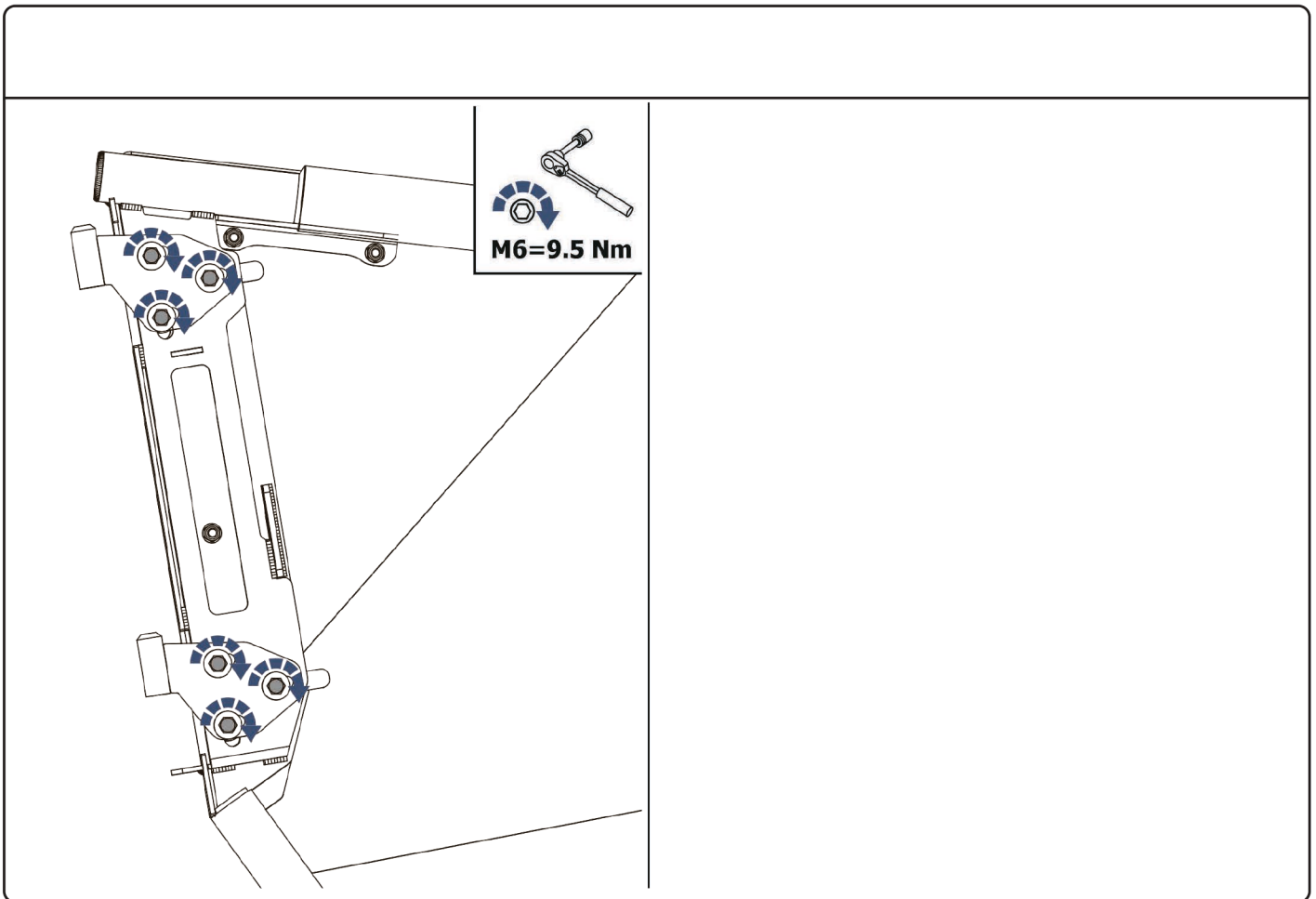
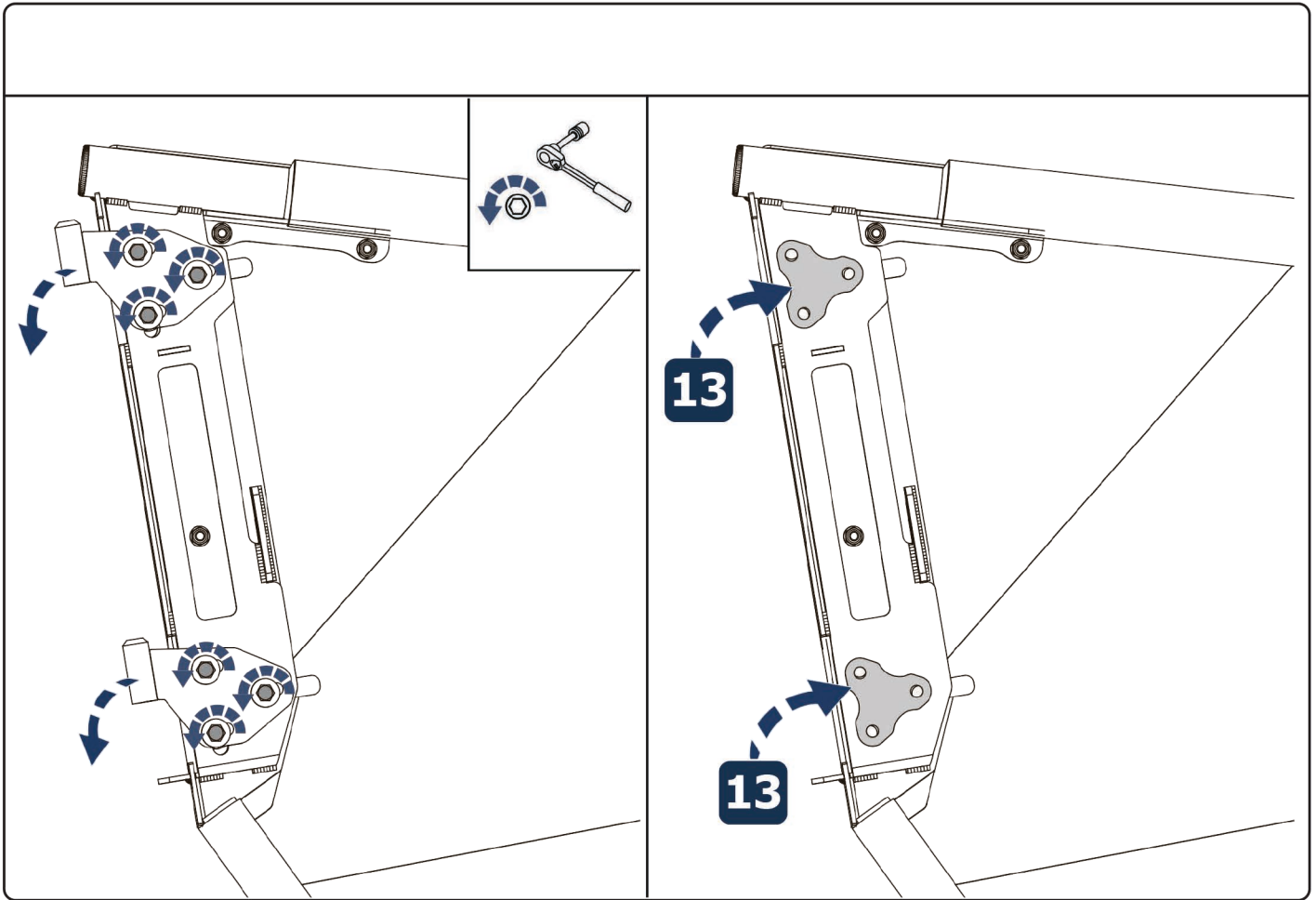
19. Install the hinge D1 in the bottompart of bracket #B2.

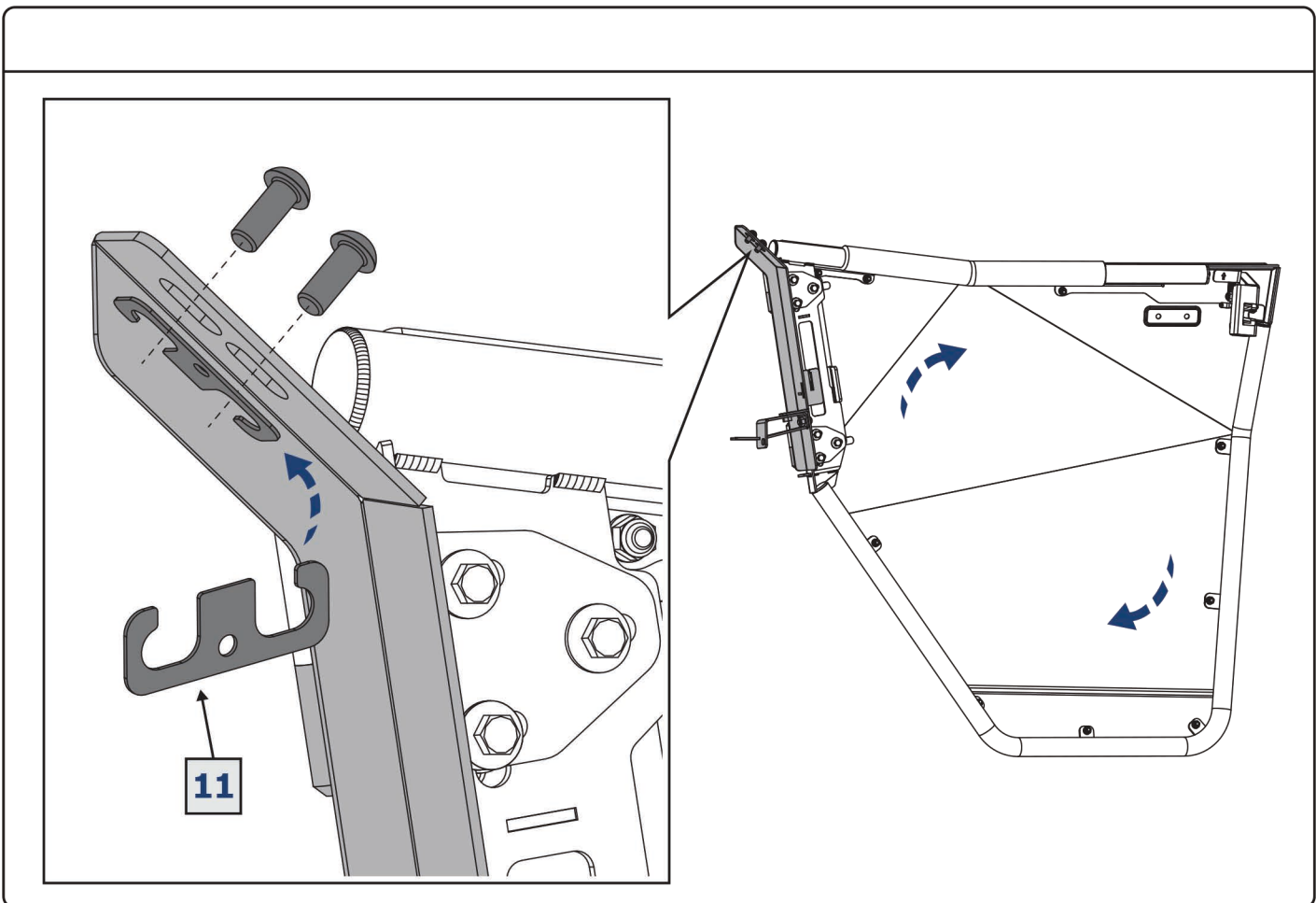
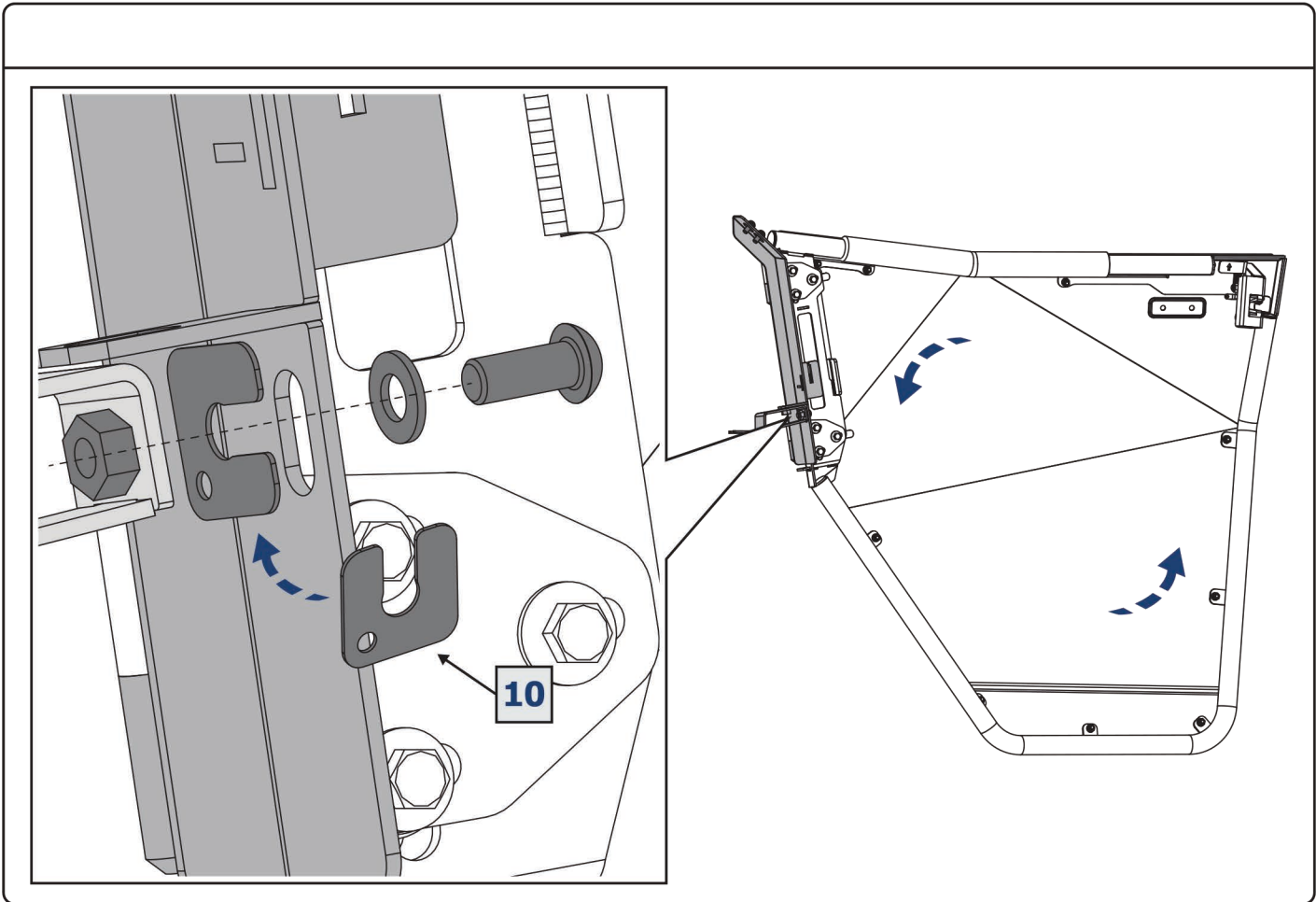


20. Install the bracket #9 in the upper door mount, install hinge D1, fix it with M6 bolts 1, washers 3 and 4. Do not completely tighten yet.









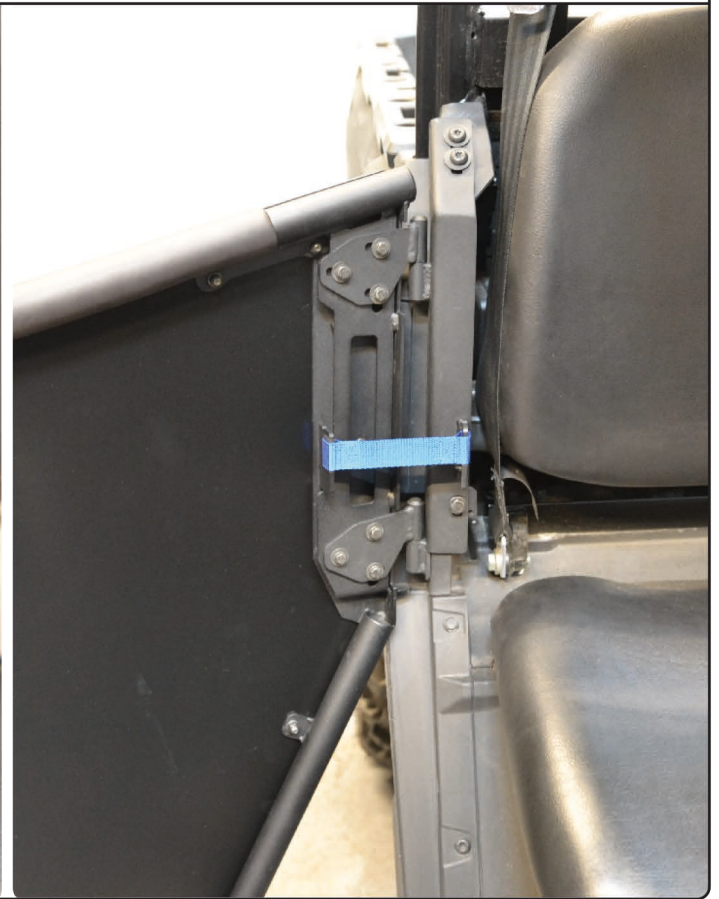
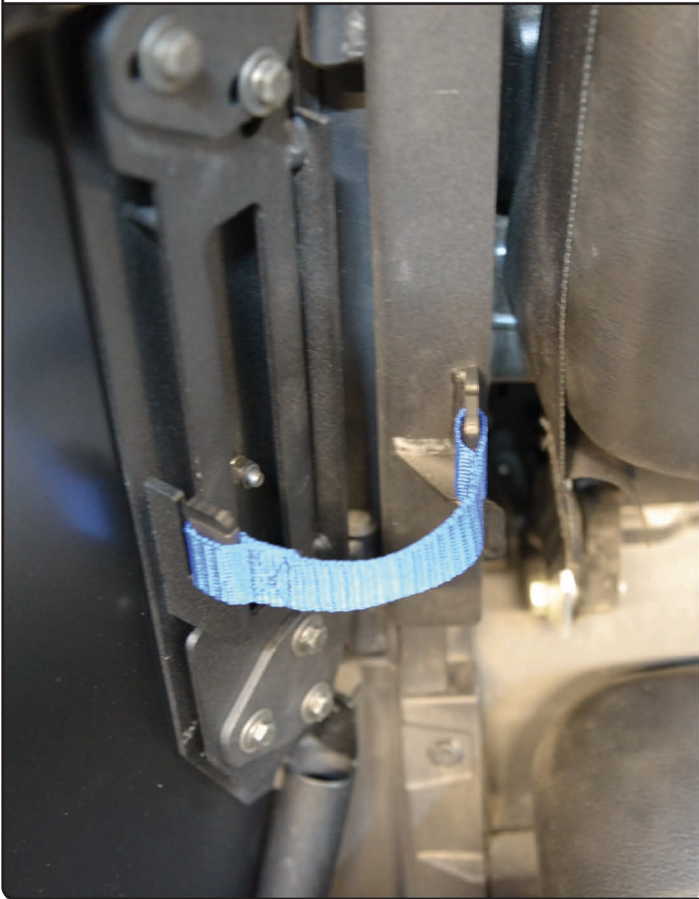
21. Install the upper door hinge to the bracket.



22. Fix the bottom hinge the same as upper. Do not completely tighten yet.



23. Put the strap #13 on the door and bracket hooks.



24. Close the door. Adjust door and brackets. Tighten all connections. Repeat for other side. REPEAT FOR OTHER SIDE.

