

EN DOOR KIT INSTALLATION MANUAL

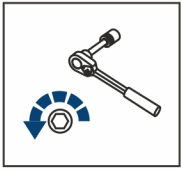
DE MONTAGEEINLEITUNG TÜREN SET



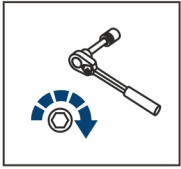
**For: Polaris Ranger 570 (2015-2017;2018- )**

2444.7450.1  
444.7450.1

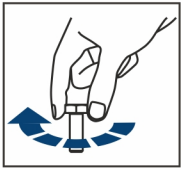




EN Regular fasteners  
DE Originale montageile



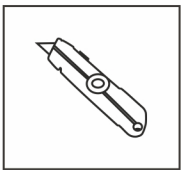
EN Regular fasteners  
DE Originale montageile



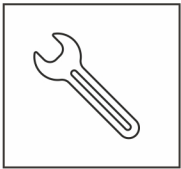
EN Screw a several turns  
DE Für wenigen Umdrehungen befestigen



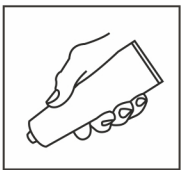
EN Loosen bolts  
DE Bolzen lockern



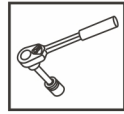
EN Office Knife  
DE Büromesser



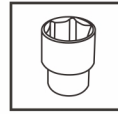
EN Wrench  
DE Schraubenschlüssel



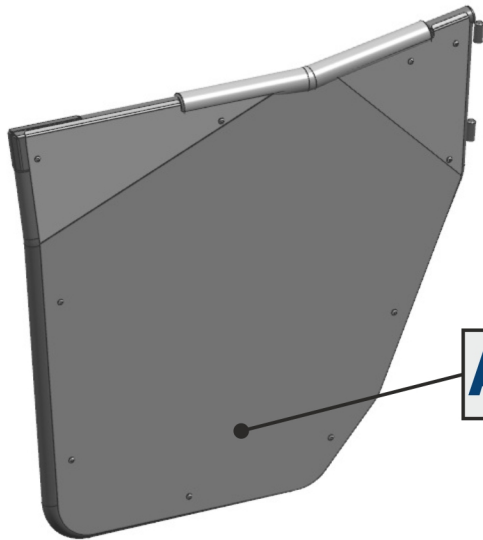
EN Grease  
DE Schmierfett



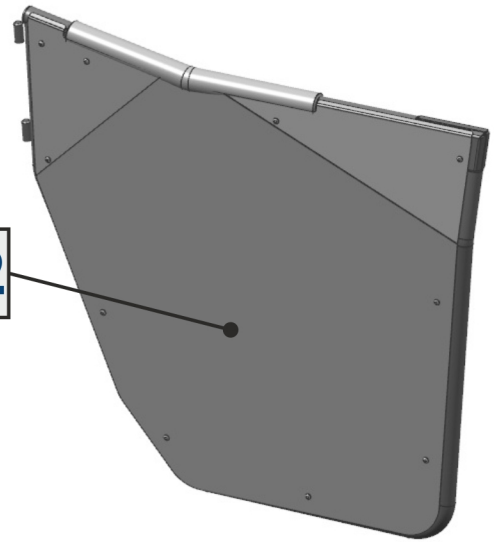
EN Ratchet  
DE Ratsche



S - 10;  
S - 13

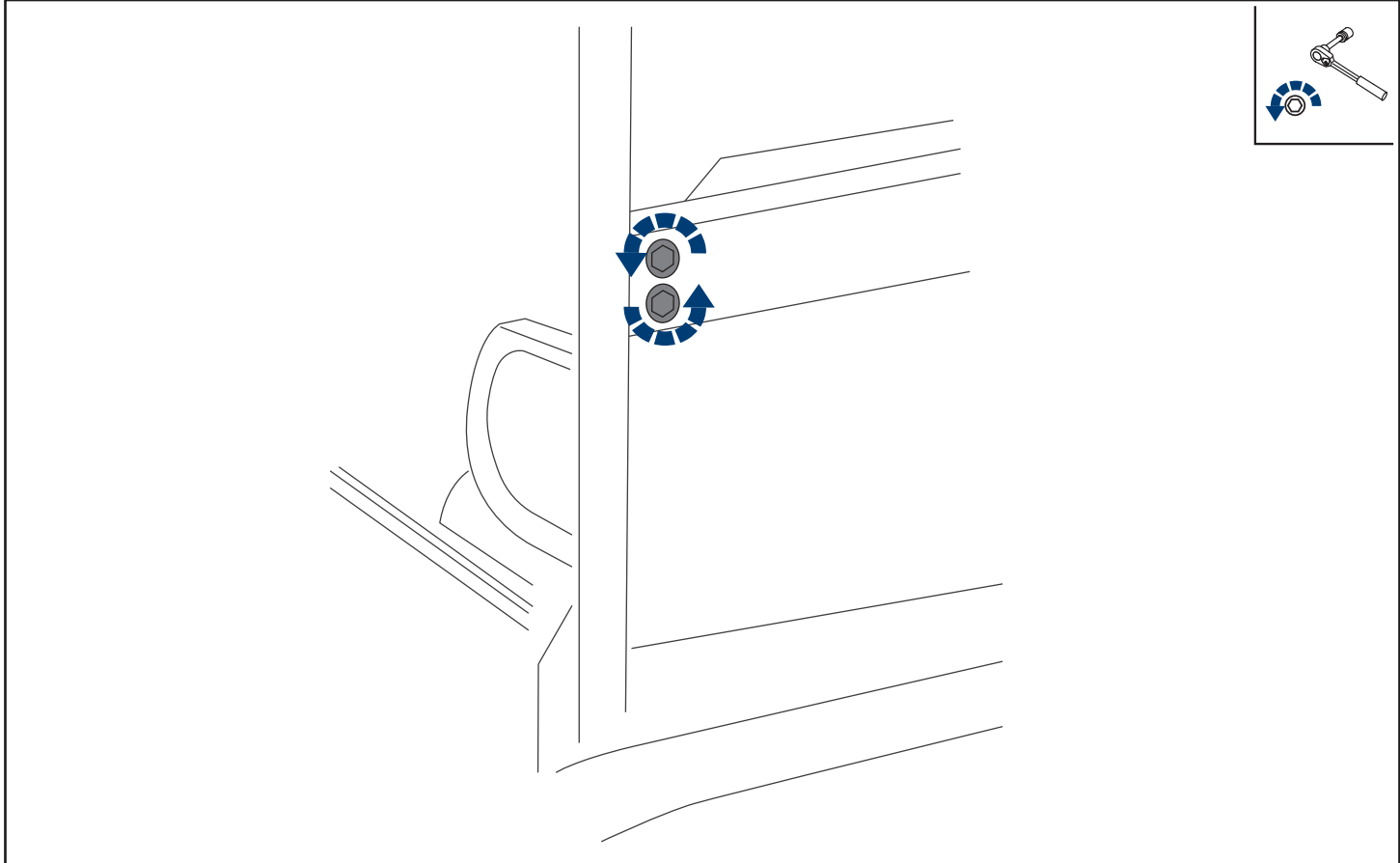
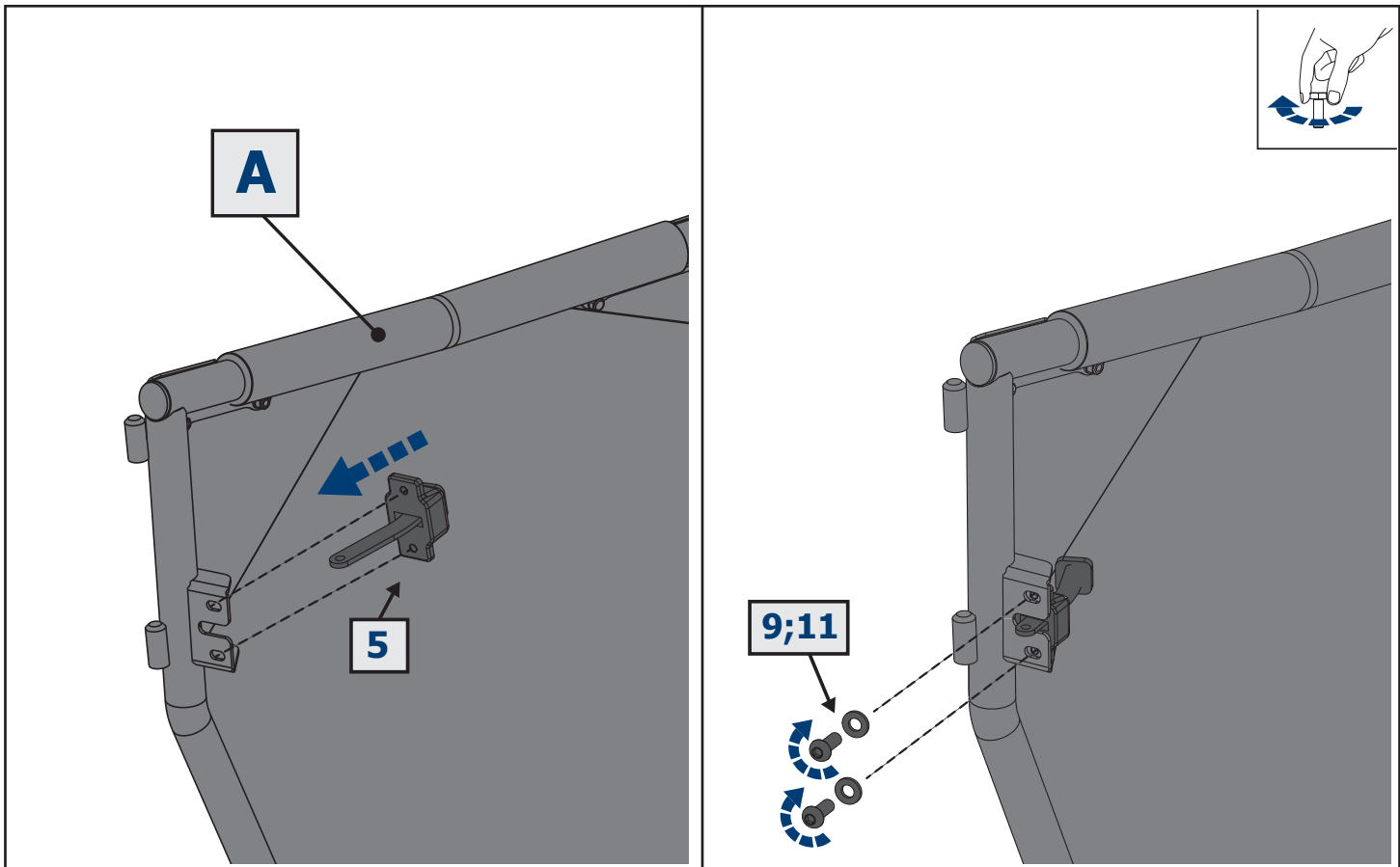


**A1**

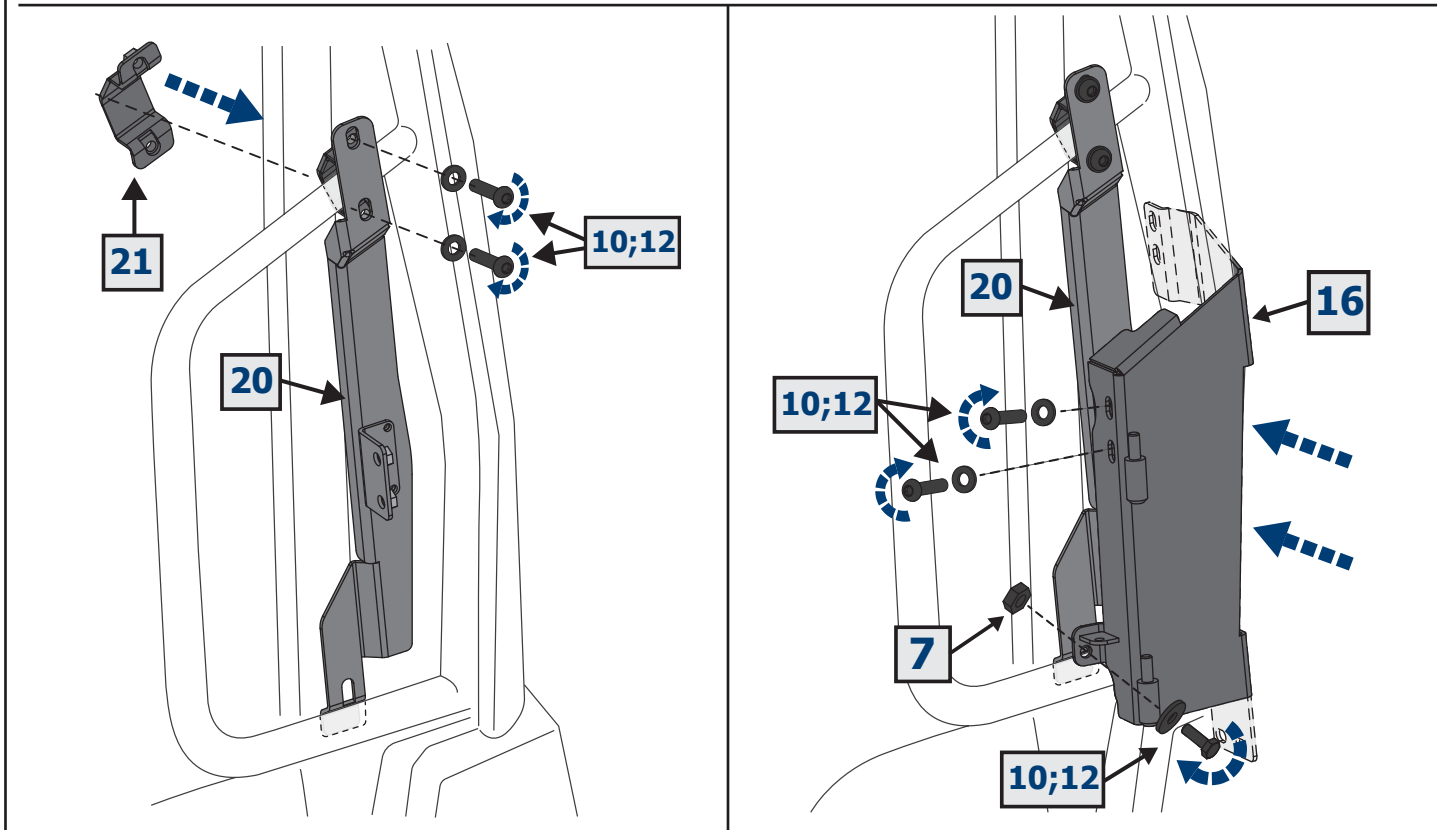


**A2**

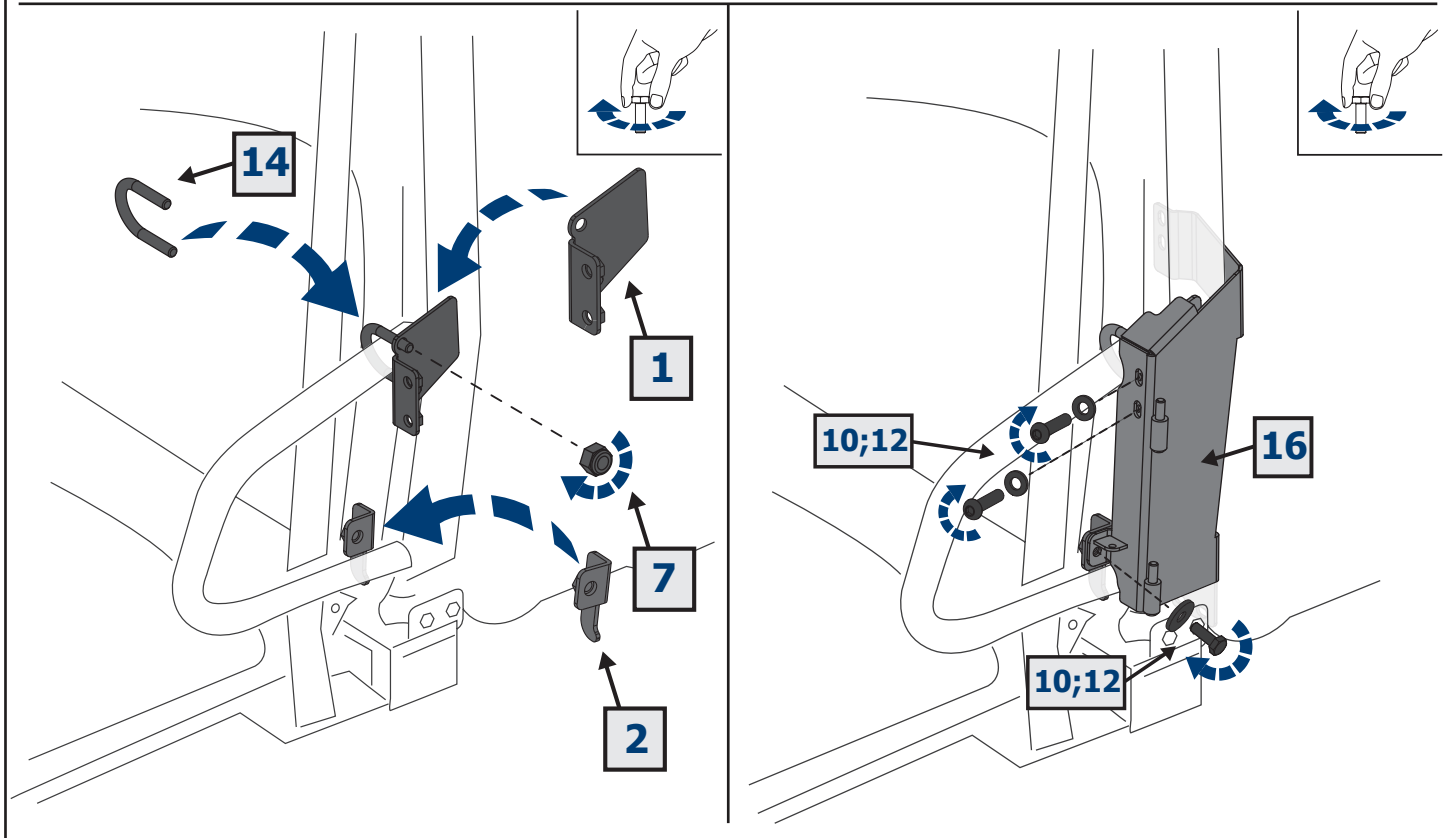
<b>1</b>  x2	<b>2</b>  x2	<b>3</b>  x2	<b>4</b>  x2	<b>5</b>  x2	<b>6</b>  M10 x4
<b>7</b>  M8 x10	<b>8</b>  M6 x2	<b>9</b>  M6x16 x4	<b>10</b>  M8x20 x18	<b>11</b>  Ø6 x8	<b>12</b>  Ø8 x22
<b>13</b>  M6x20 x2	<b>14</b>  x2	<b>15</b>  x2	<b>16</b>  x2	<b>17</b>  x4	<b>18</b>  x2
<b>19</b>  x10	<b>20</b>  x2	<b>21</b>  x2			

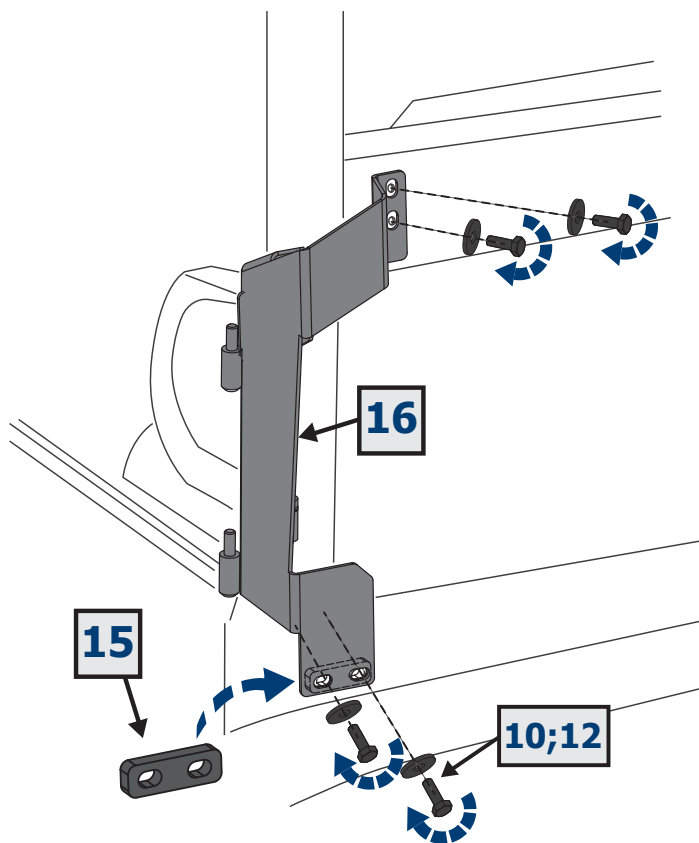


### Polaris Ranger 570 (2018- )

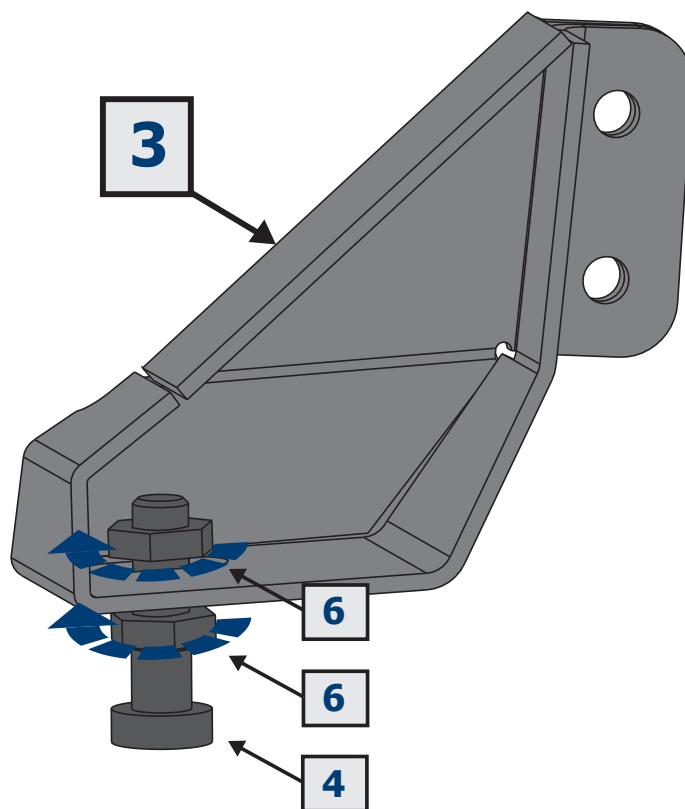


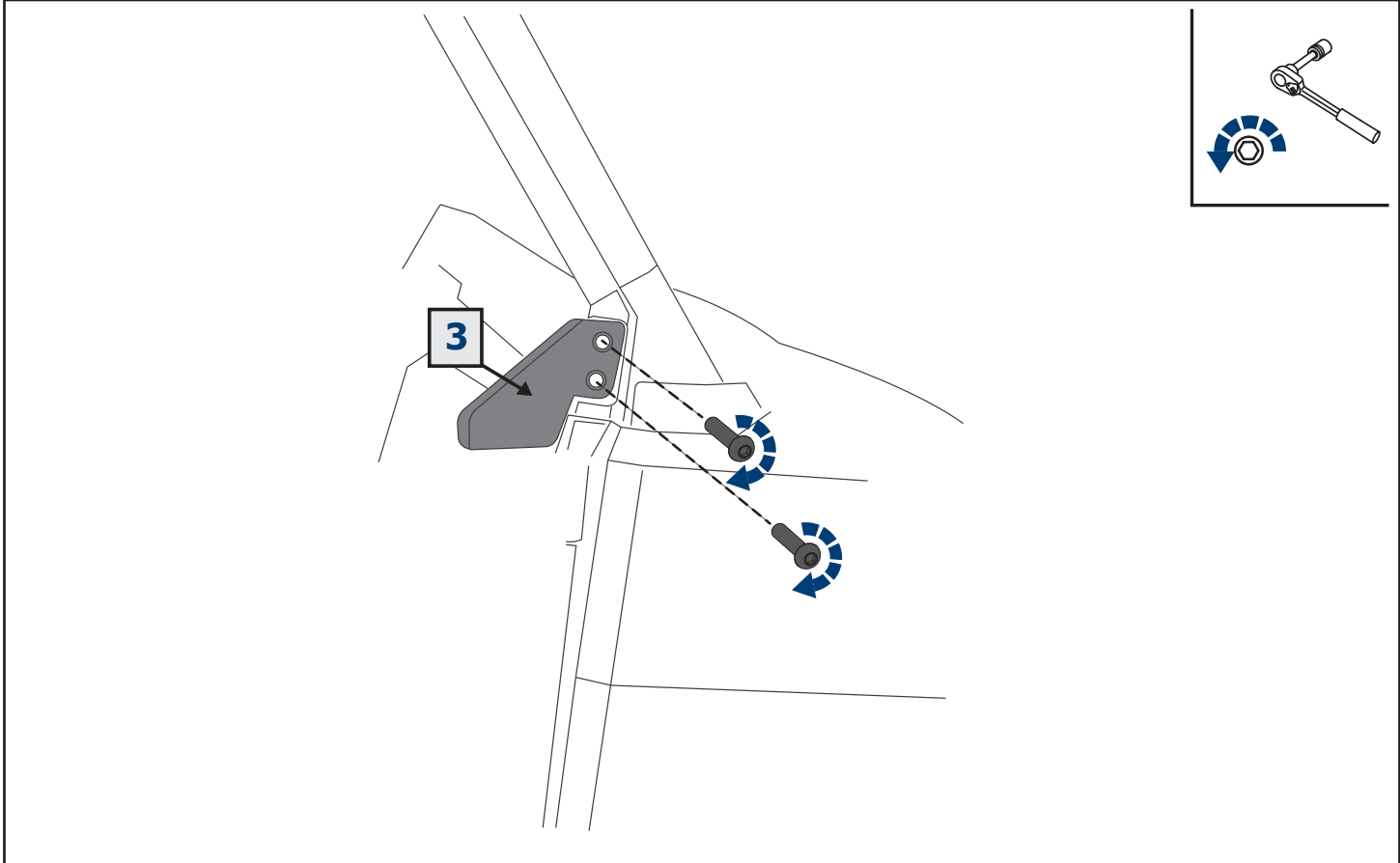
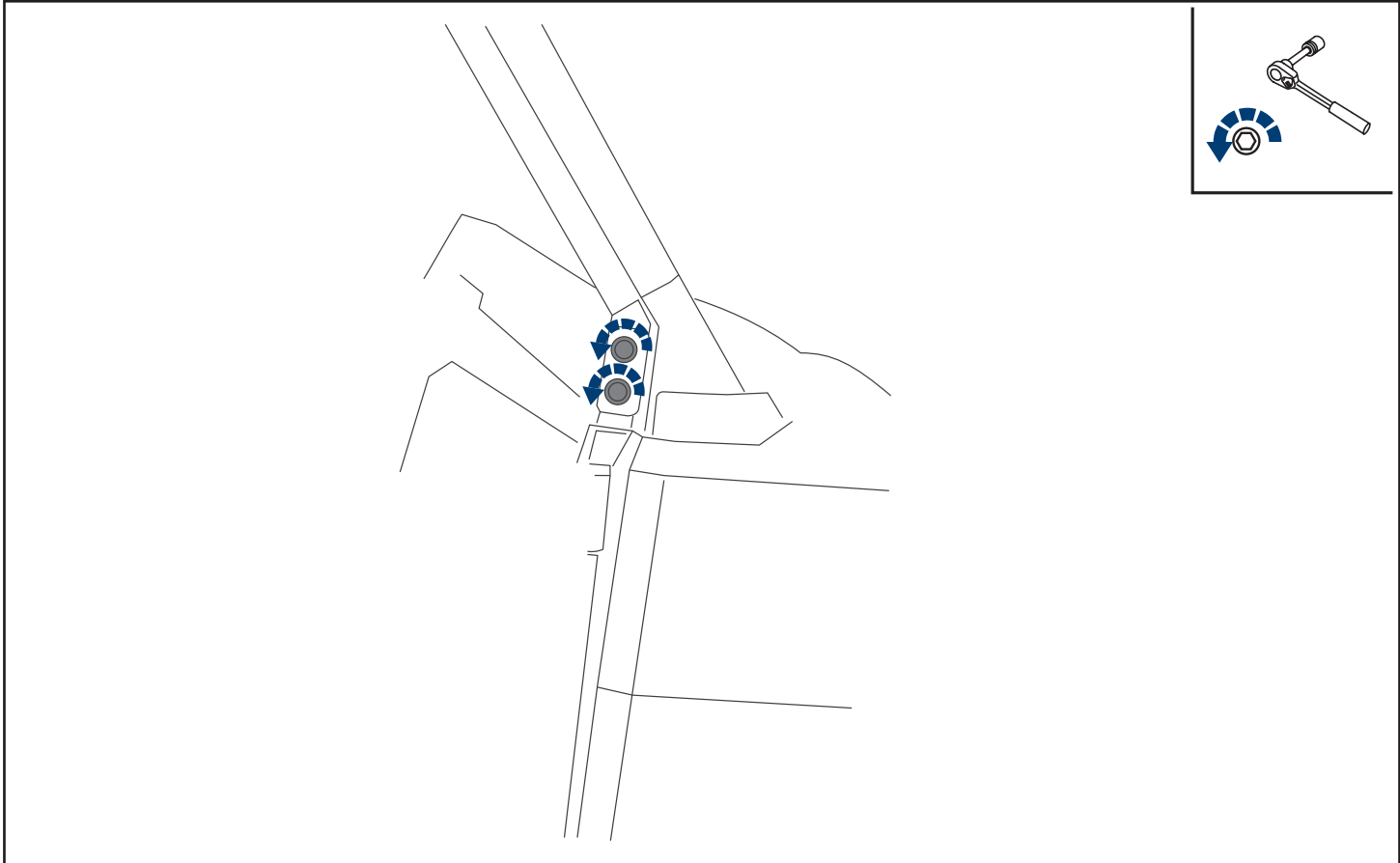
### Polaris Ranger 570 (2015-2018)

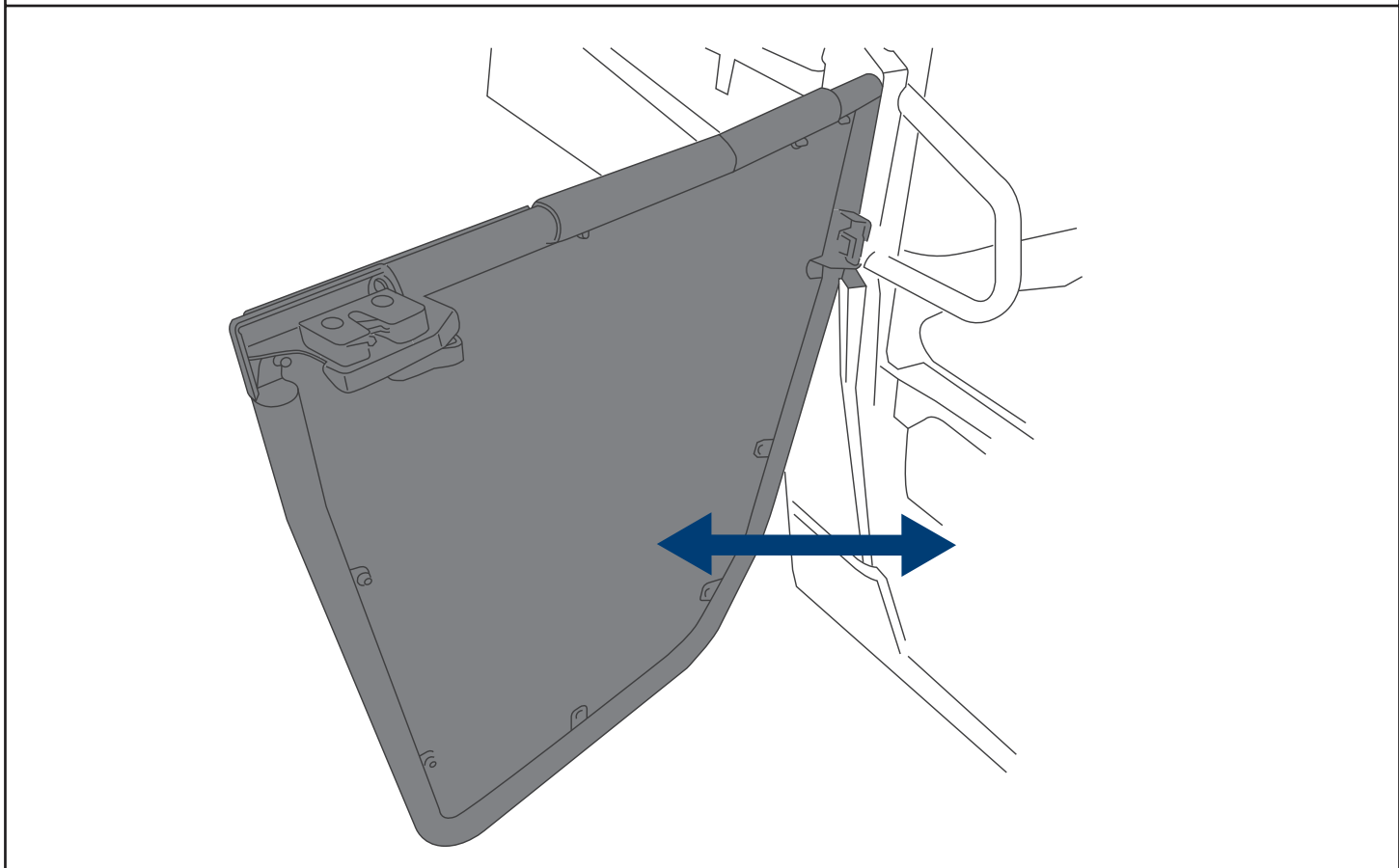
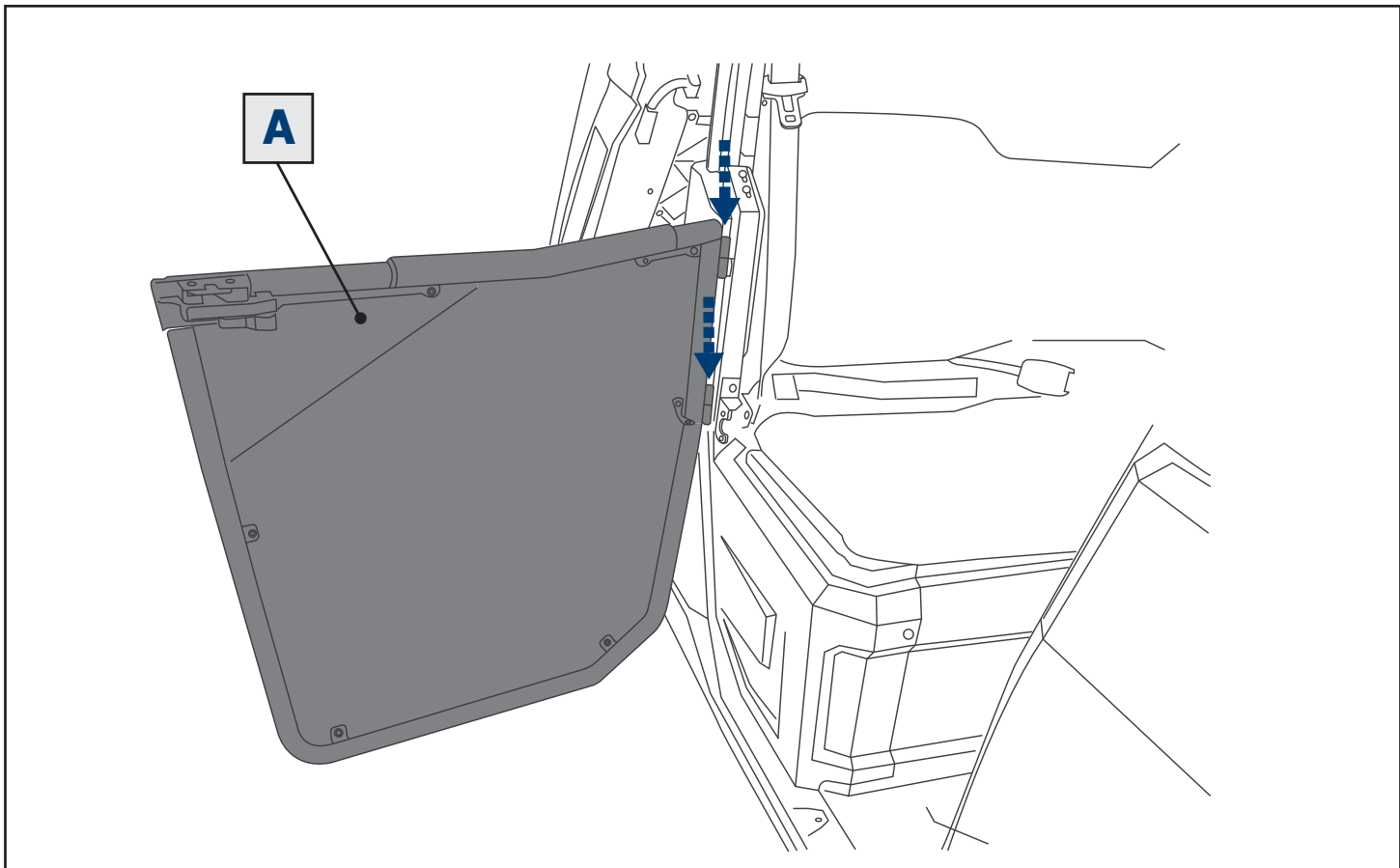




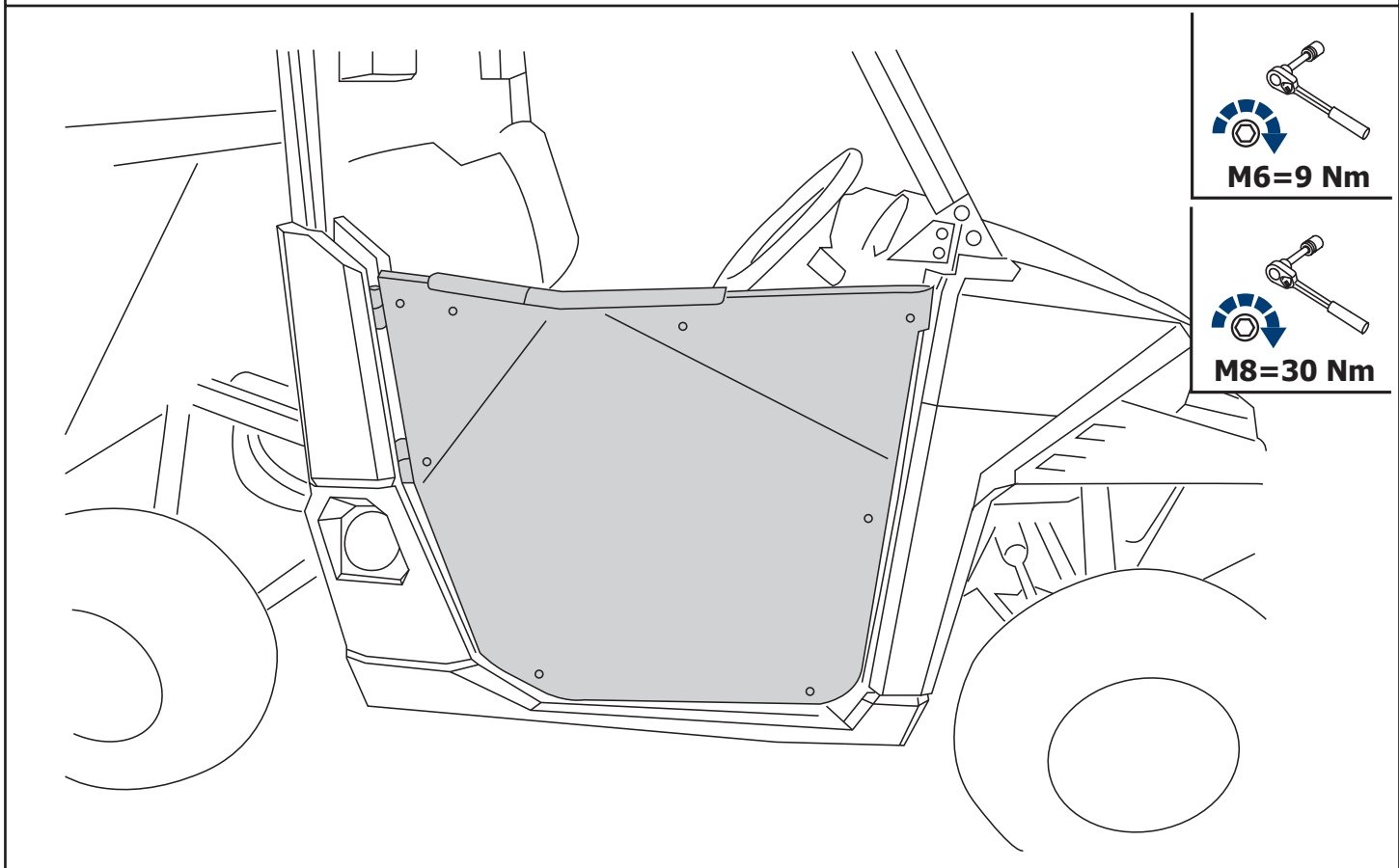
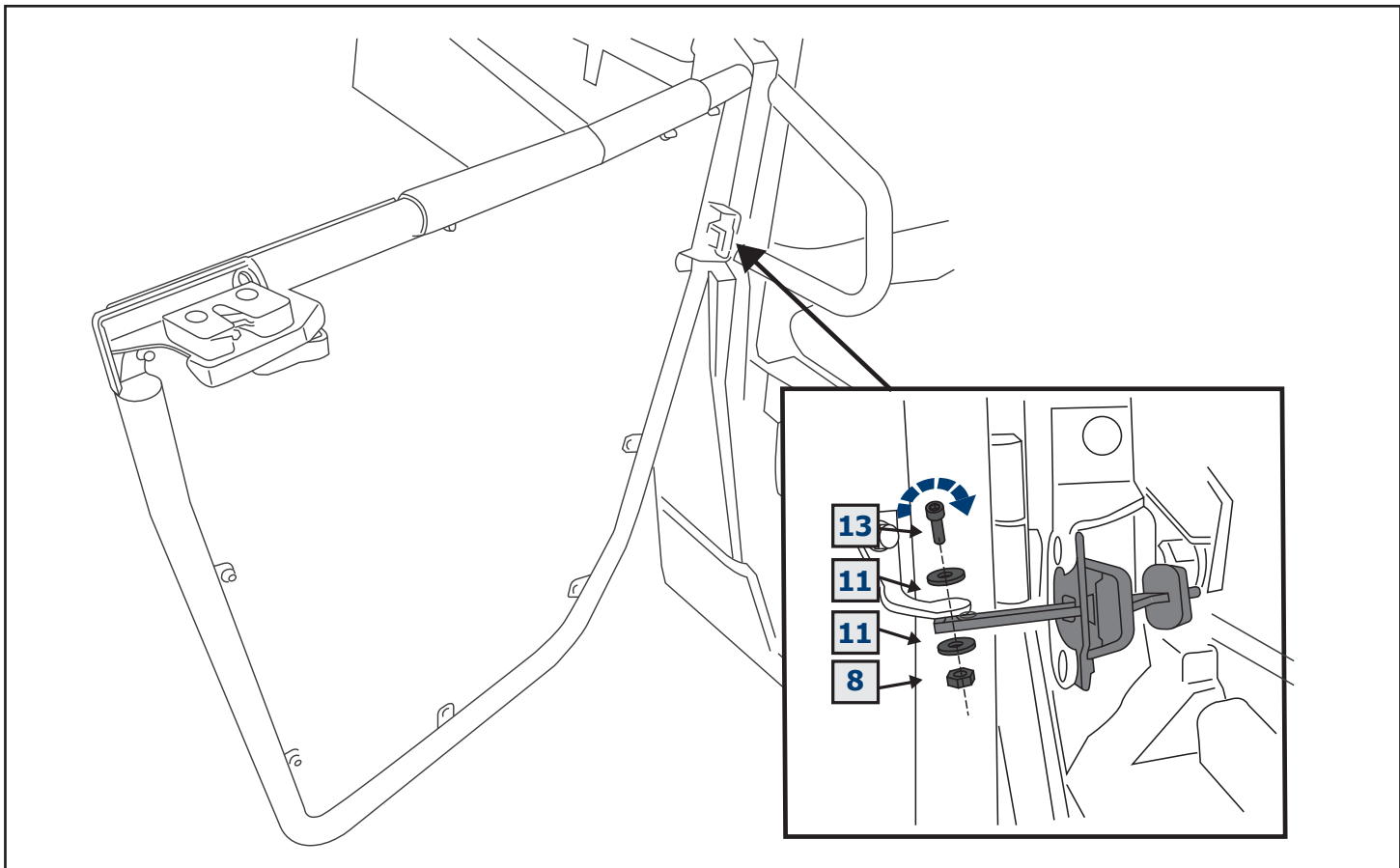
S17

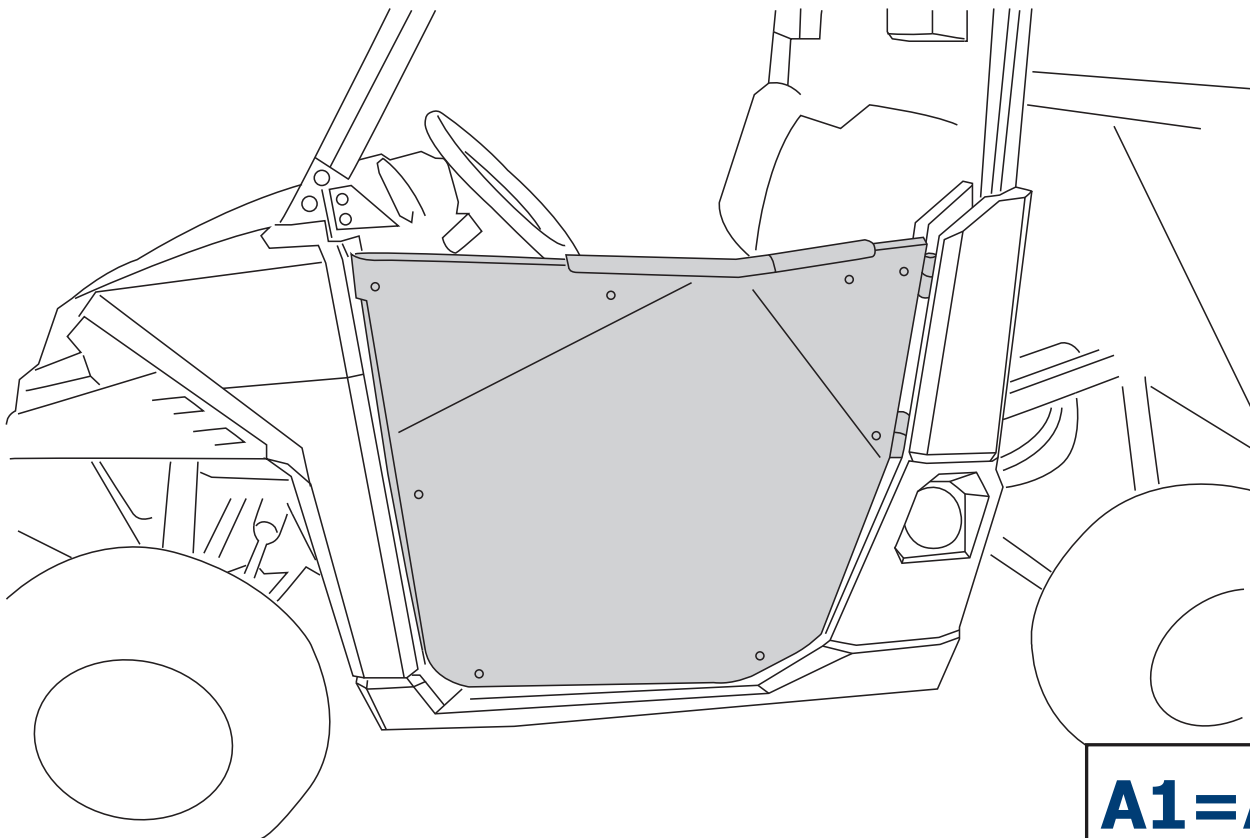












**A1=A2**

DOOR TILT ADJUSTMENT - ALTERNATE PACKER INSTALLATION LOCATIONS

