

EN REAR DOOR KIT INSTALLATION MANUAL

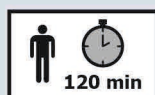
DE MONTAGEEINLEITUNG TÜREN SET

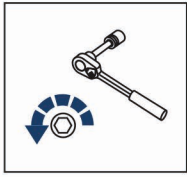
Fitting Video



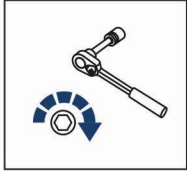
**For: BRP Can-Am Defender MAX (2016-)**

2444.7276.2

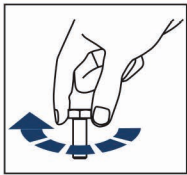




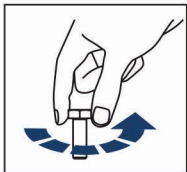
EN Regular fasteners  
DE Schraube herausdrehen



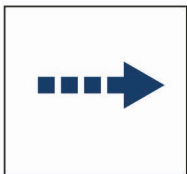
EN Regular fasteners  
DE Schraube eindrehen und festziehen



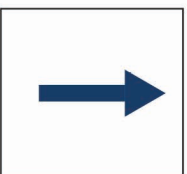
EN Screw a several turns  
DE Schraube wenige Umdrehungen eindrehen



EN Loosen bolts  
DE Schraube wenige Umdrehungen lösen



EN Movement Arrow  
DE Bewegungsrichtung

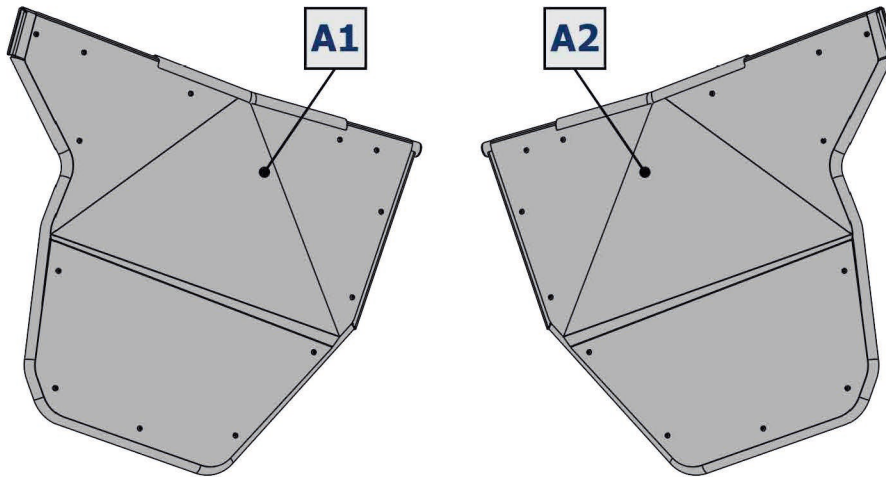
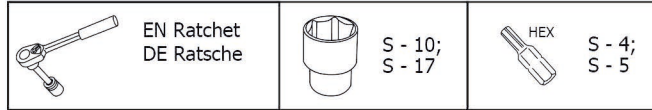


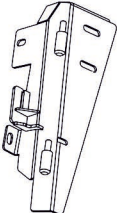
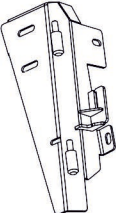
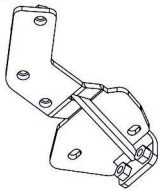
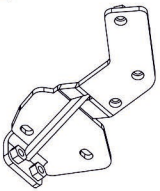
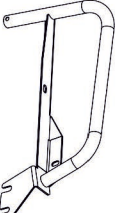
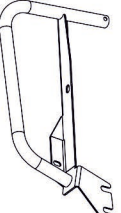
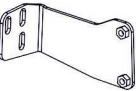
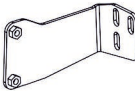
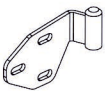
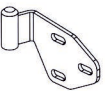
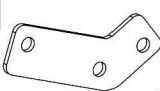
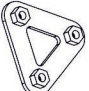
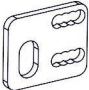

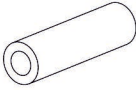
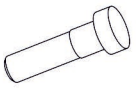
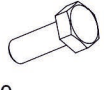
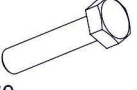

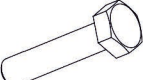


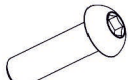










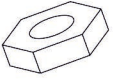

EN Location/Position Arrow  
DE Blickrichtung / Postionsrichtung



EN Screw Arrow  
DE Drehrichtung

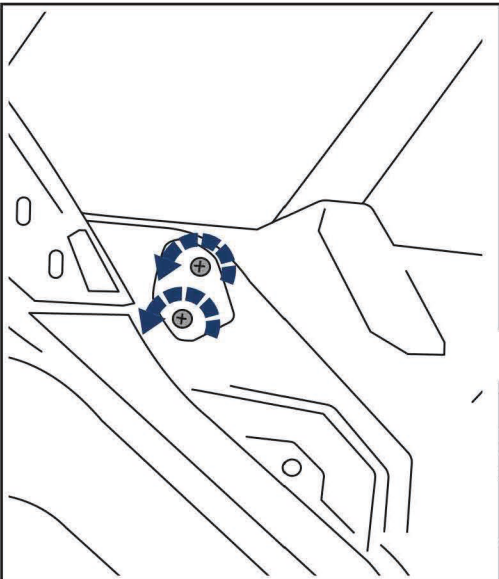
**PART & HARDWARE LIST  
FRONT DOORS ONLY (2444.7266.2 BOX)**



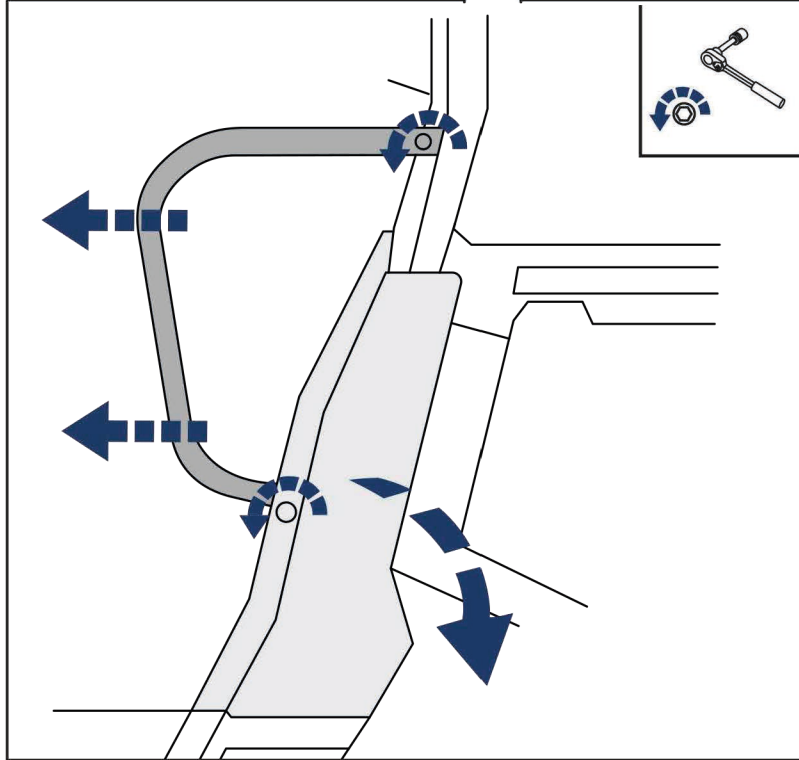
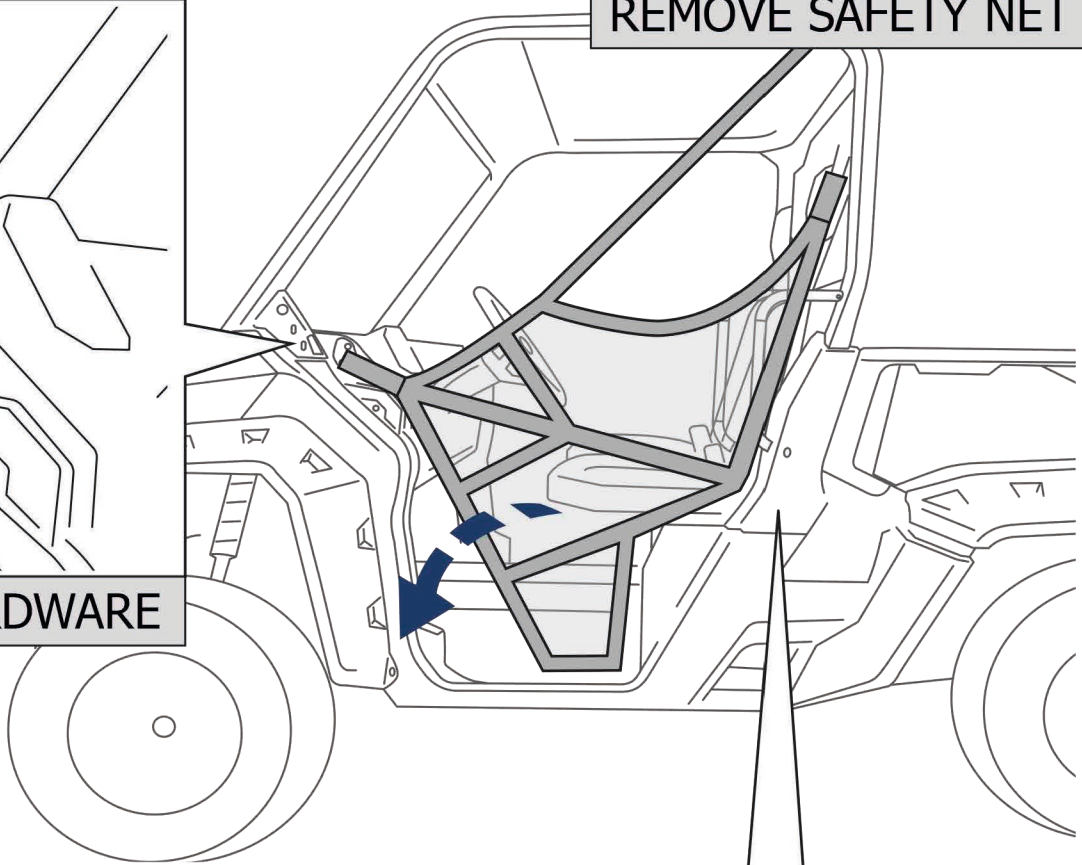
<b>B1</b>  x1	<b>B2</b>  x1	<b>C1</b>  x1	<b>C2</b>  x1	<b>D1</b>  x1	<b>D2</b>  x1
<b>E1</b>  x1	<b>E2</b>  x1	<b>F1</b>  x2	<b>F2</b>  x2	<b>1</b>  x2	<b>2</b>  x4 M6
<b>3</b>  x2	<b>4</b>  x10	<b>5</b>  x2	<b>6</b>  x2	<b>7</b>  x12 M6x20	<b>8</b>  x2 M6x70
<b>9</b>  x4 M8x20	<b>10</b>  x4 M10x80	<b>11</b>  x6 M6x16	<b>12</b>  x4 M6x25	<b>13</b>  x2 M6x35	<b>14</b>  x8 M8x20
<b>15</b>  x6 ø6	<b>16</b>  x12 ø6	<b>17</b>  x18 ø6	<b>18</b>  x8 ø8	<b>19</b>  x8 ø8	<b>20</b>  x4 ø10
<b>21</b>  x8 ø10	<b>22</b>  x2 M6	<b>23</b>  x4 M8	<b>24</b>  x4 M10	<b>25</b>  x2	

PRE-INSTALLATION: LAY OUT COMPONENTS AND COMPARE TO LIST AND IMAGES. IMAGES MAY NOT PORTRAY THE FULL DETAIL OR EXACT SHAPE OF THE PARTS; HOWEVER, THEY REPRESENT PARTS THAT HAVE SAME OR SIMILAR FUNCTION.

REMOVE SAFETY NET



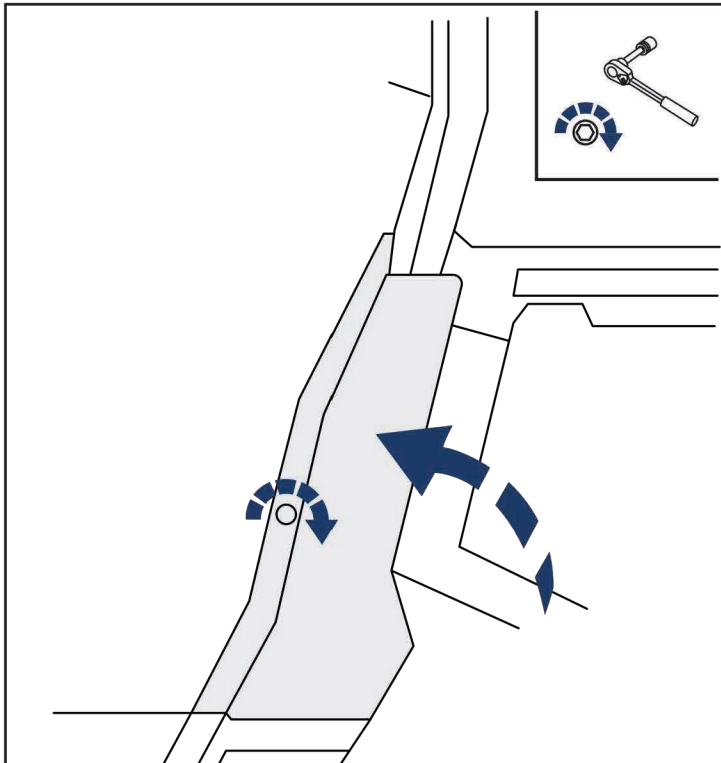
REMOVE HARDWARE



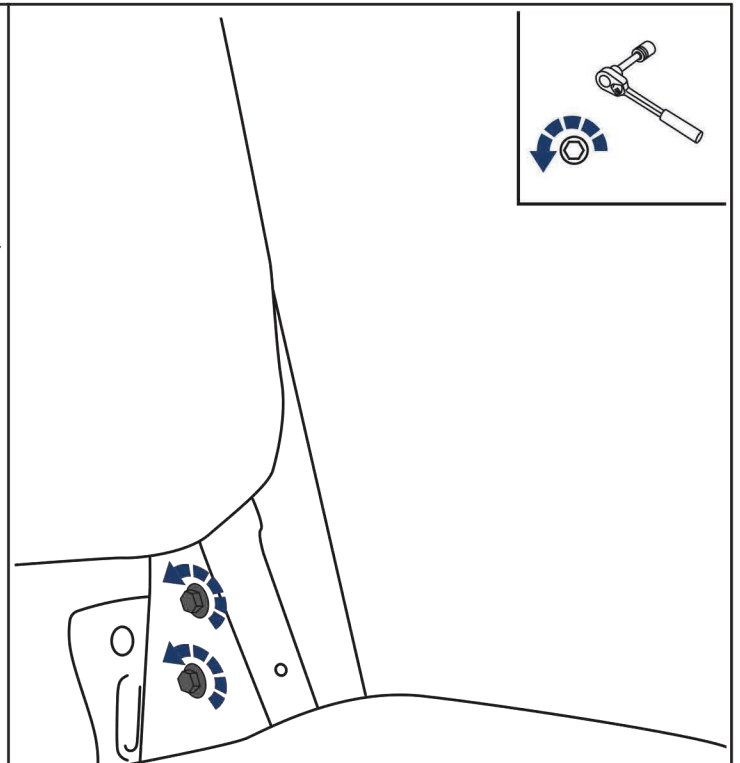
REMOVE PROTECTOR TUBE

REMOVE CAGE COVER

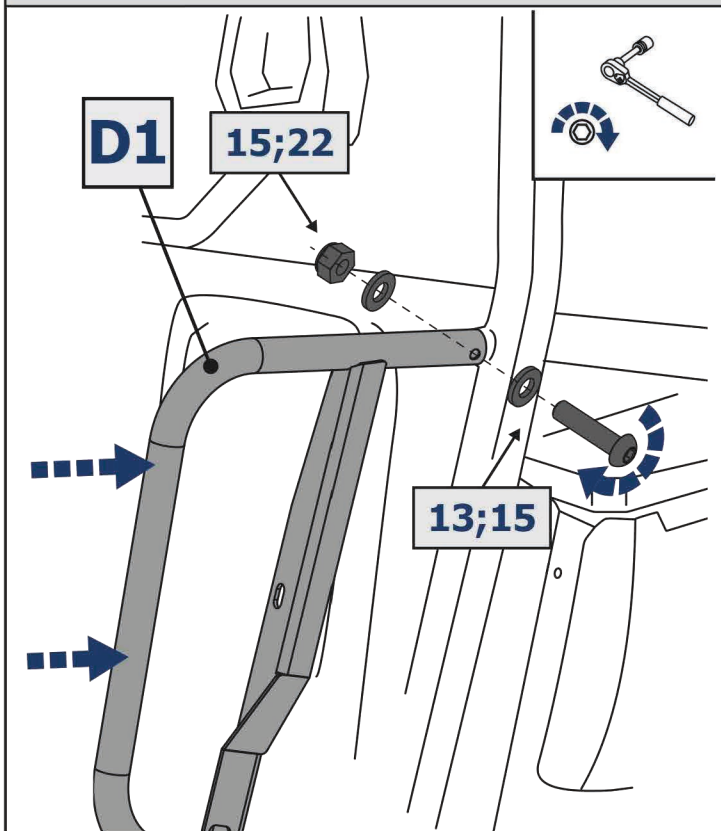




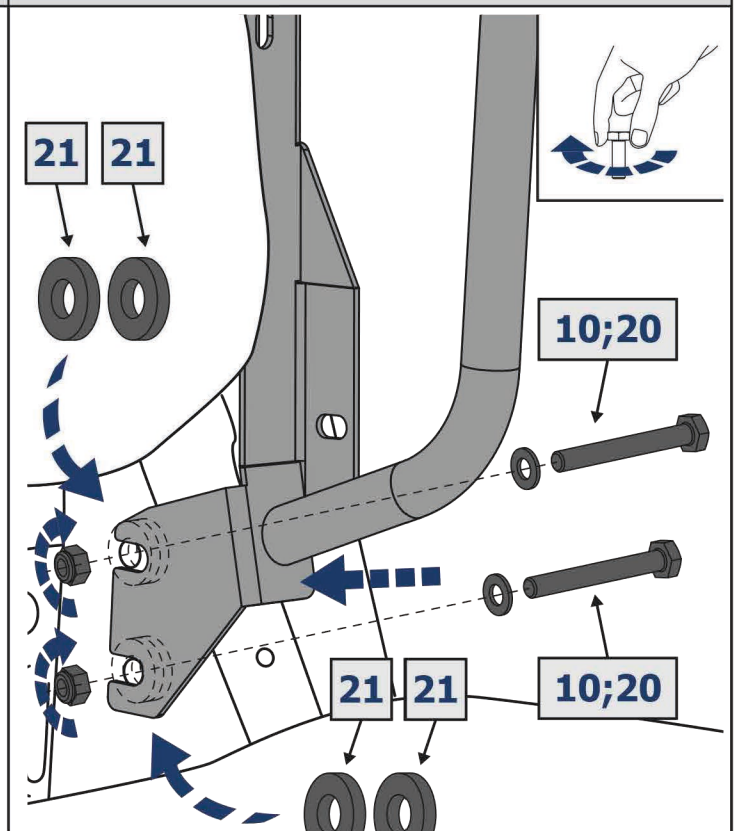
REINSTALL CAGE COVER WITH STOCK HARDWARE

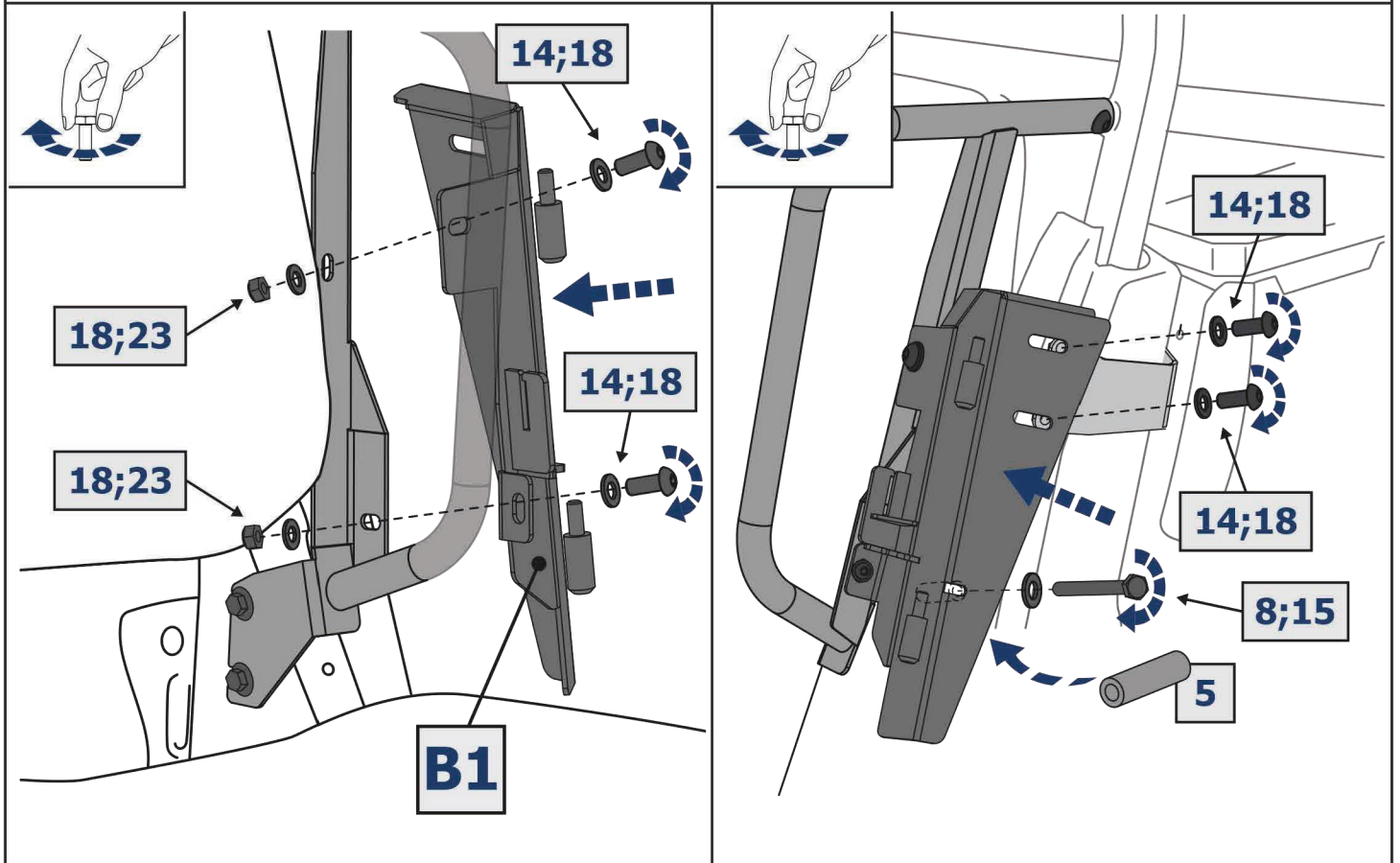
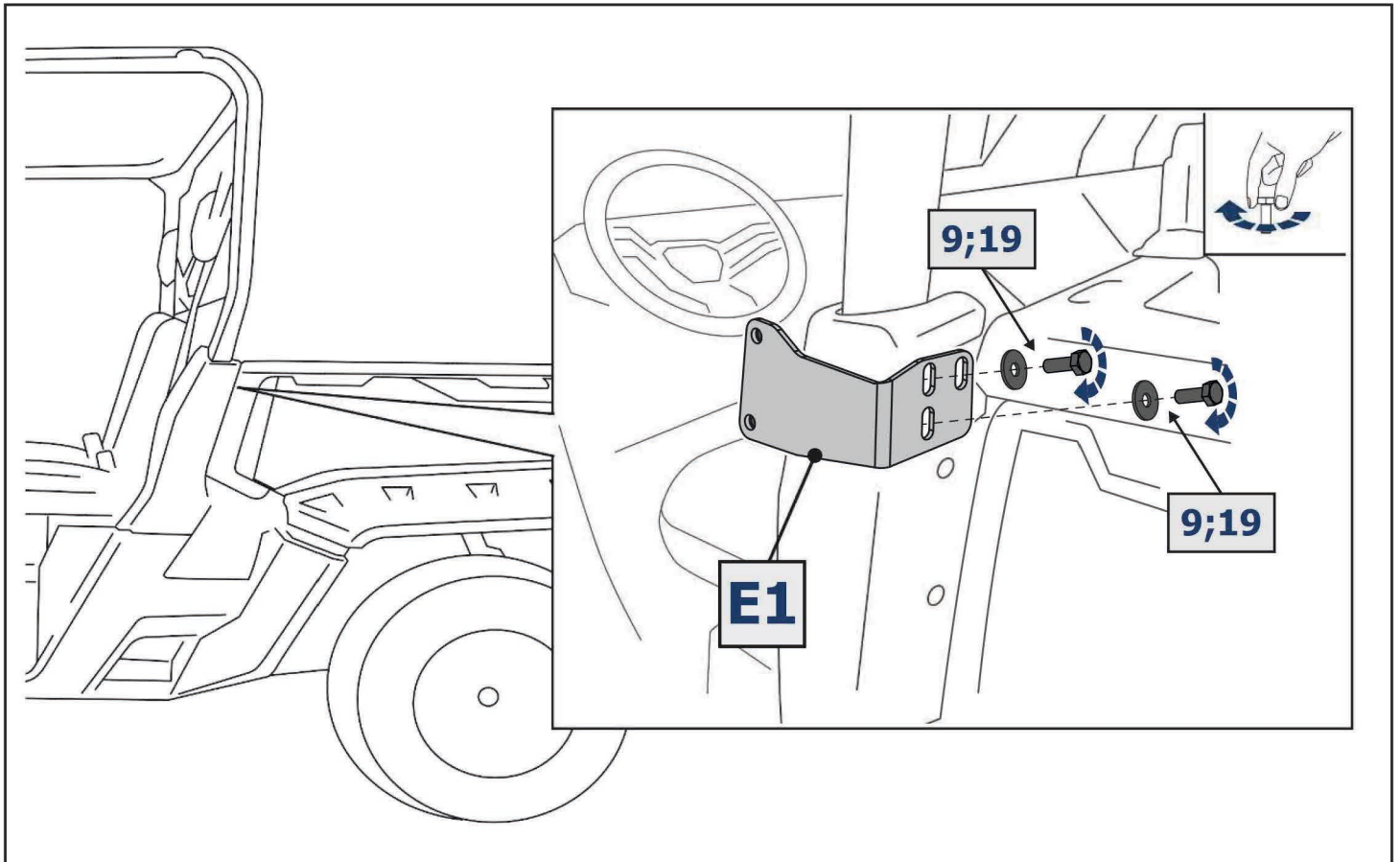


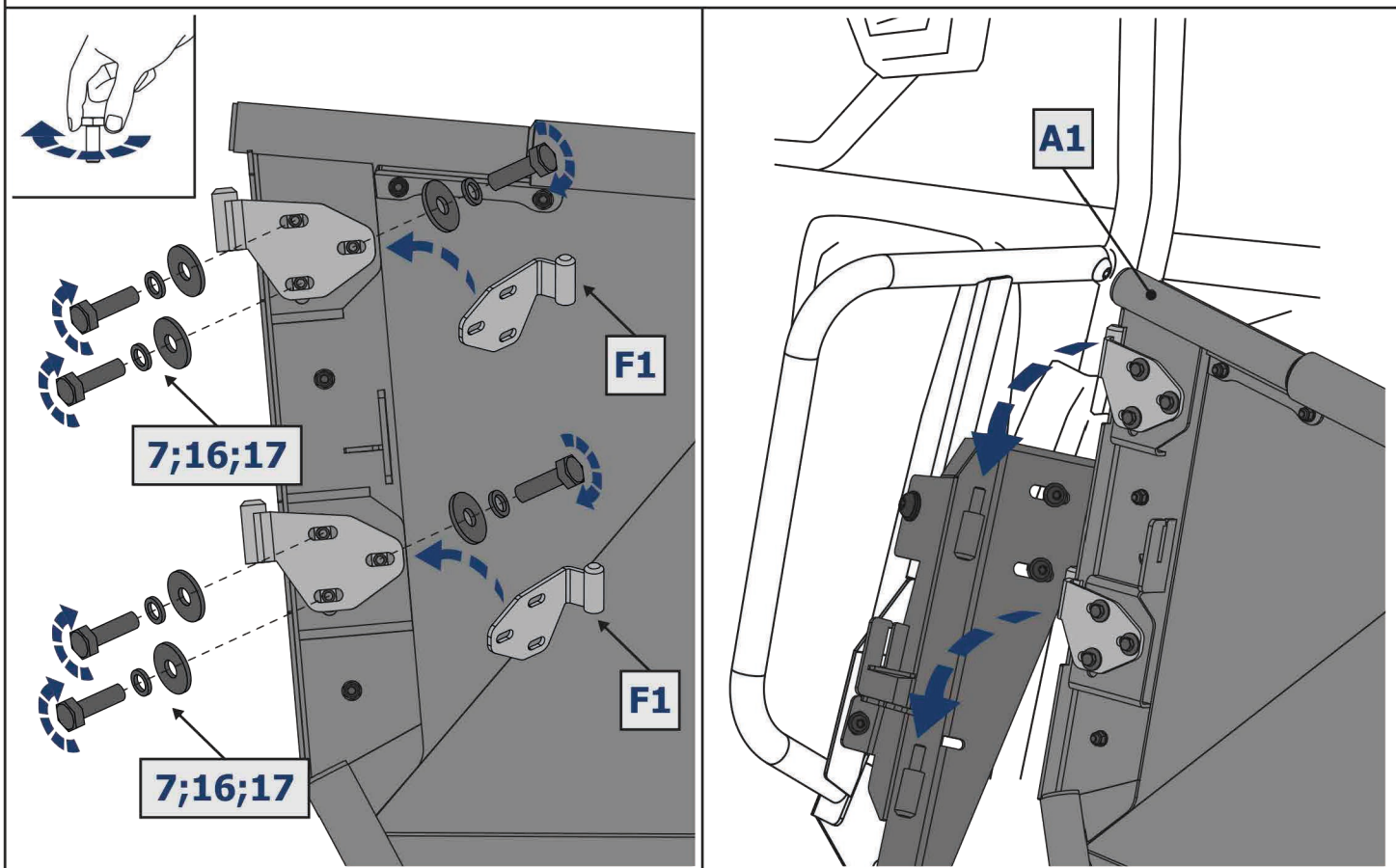
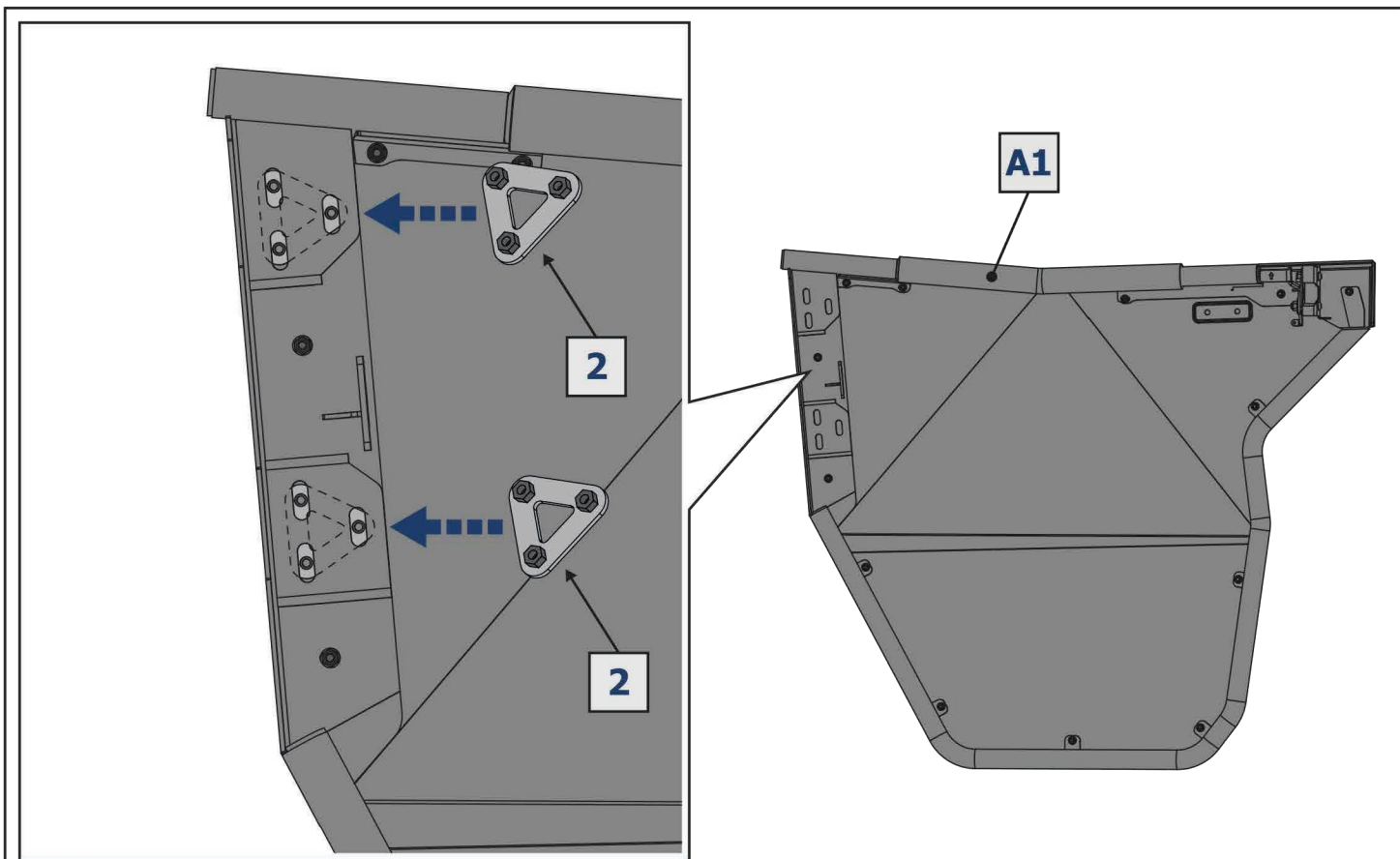
REMOVE HARDWARE



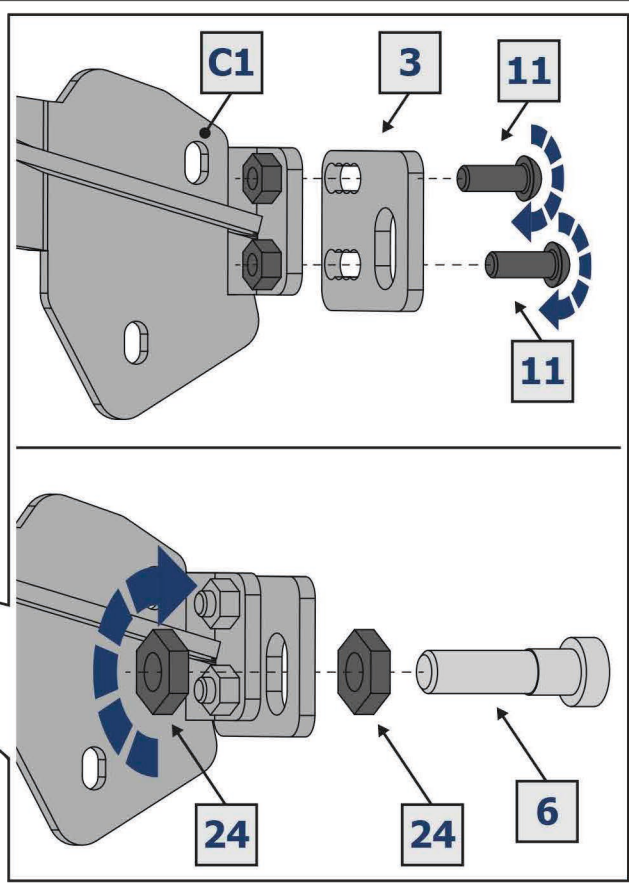
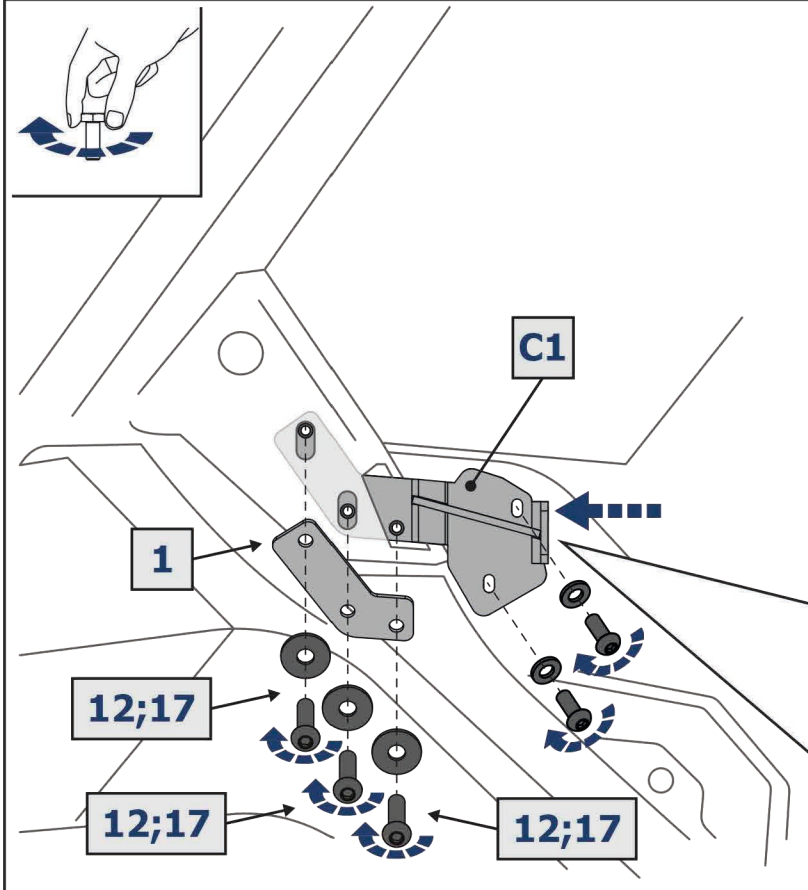
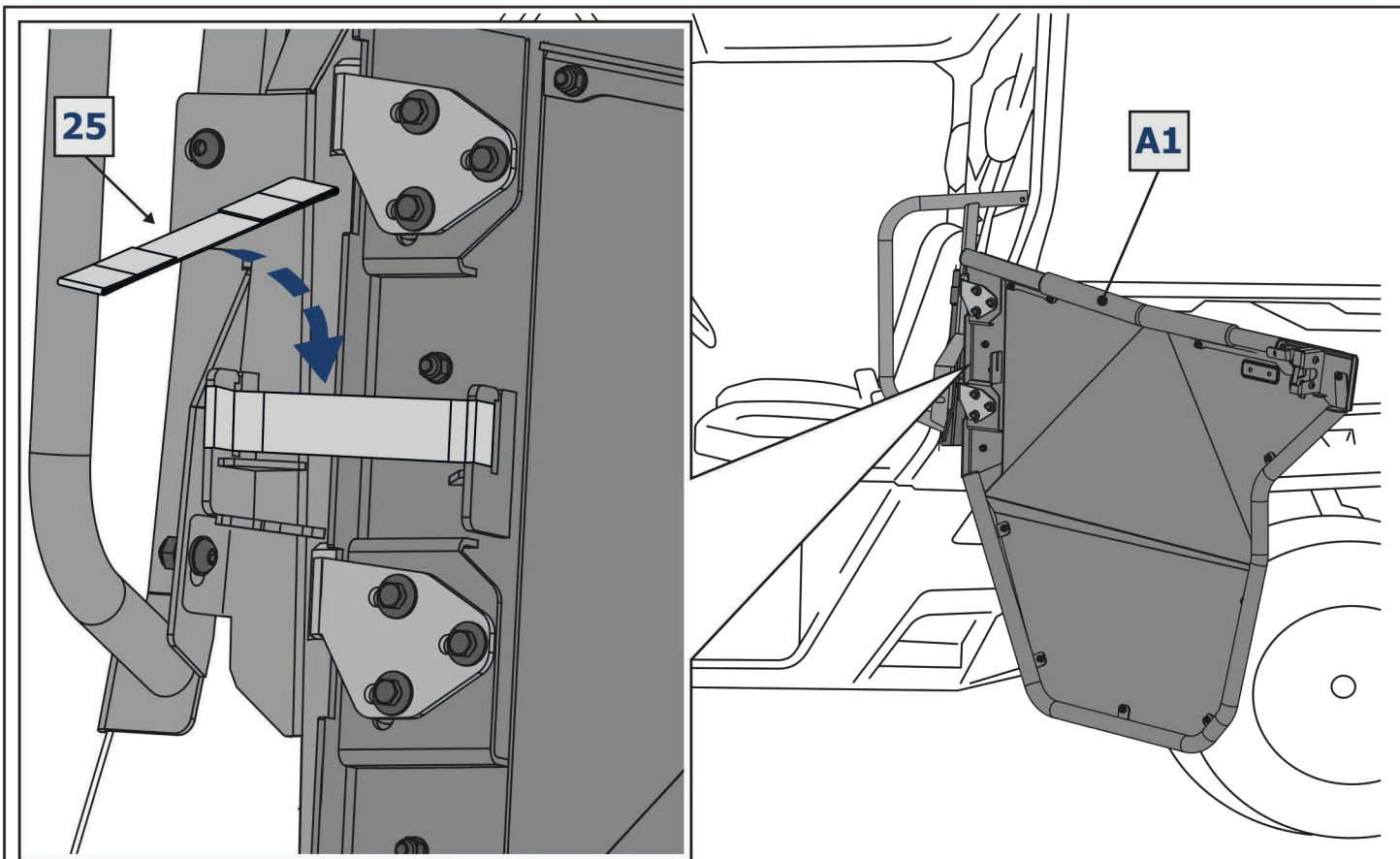
REINSTALL PROTECTOR TUBE



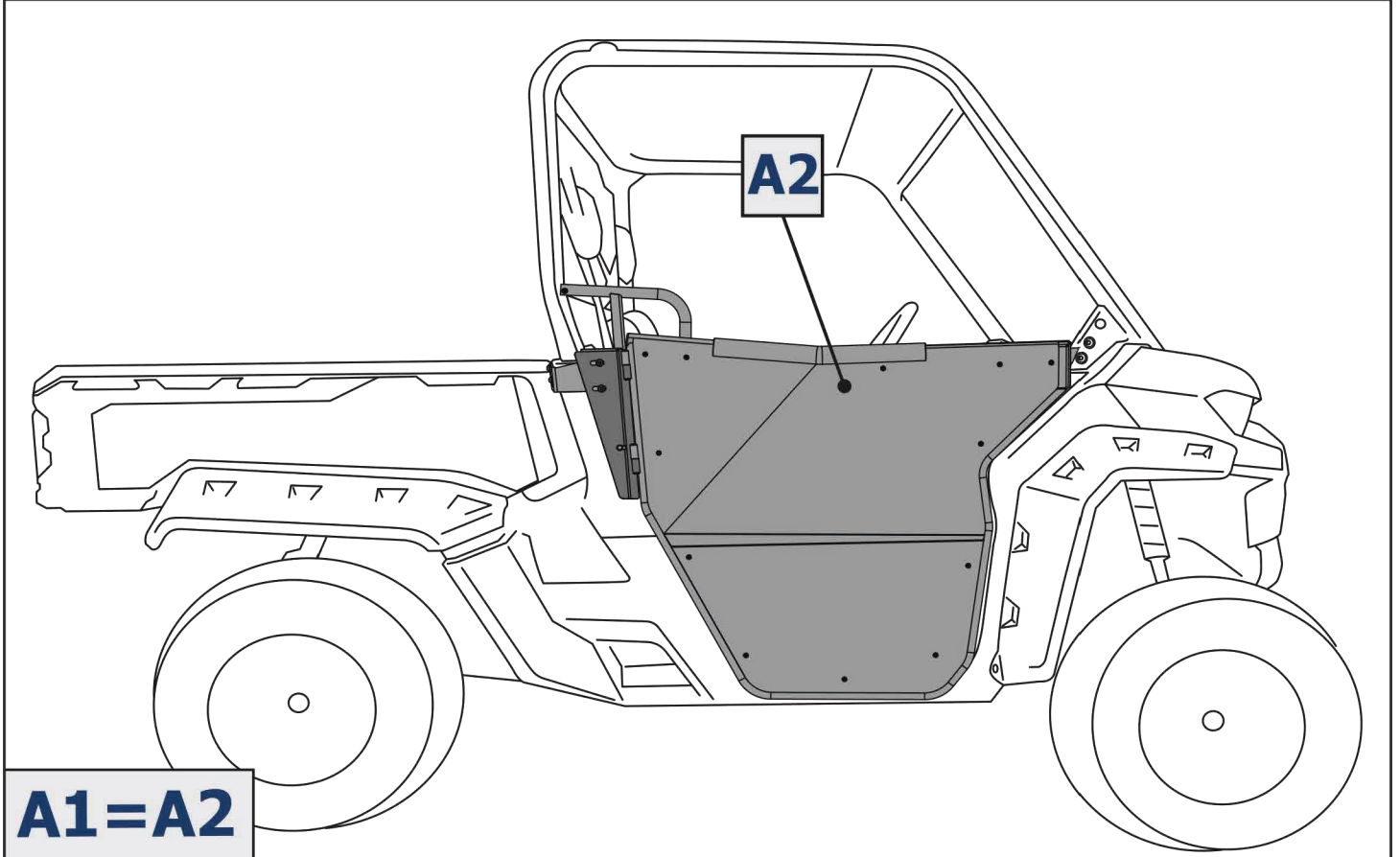
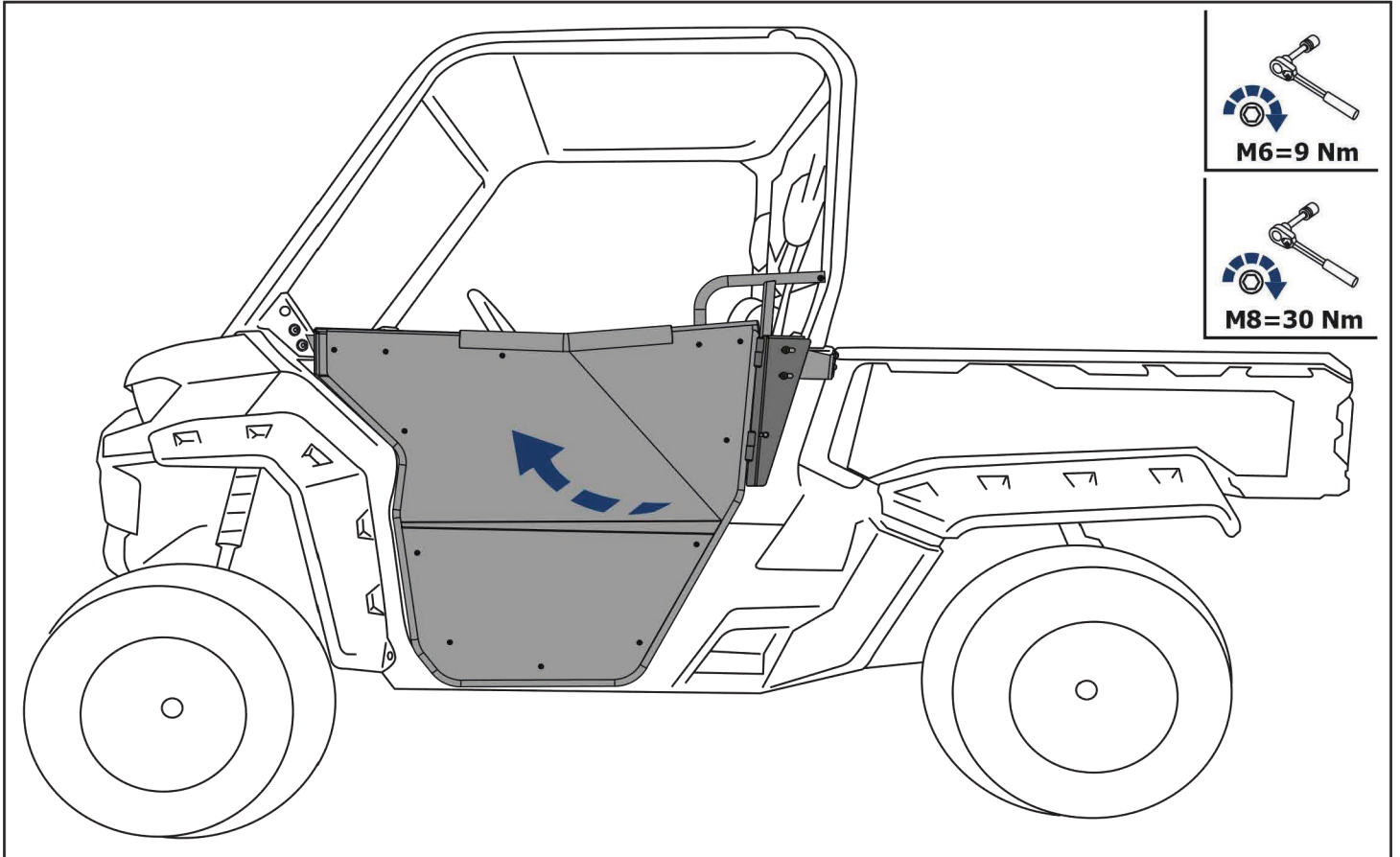




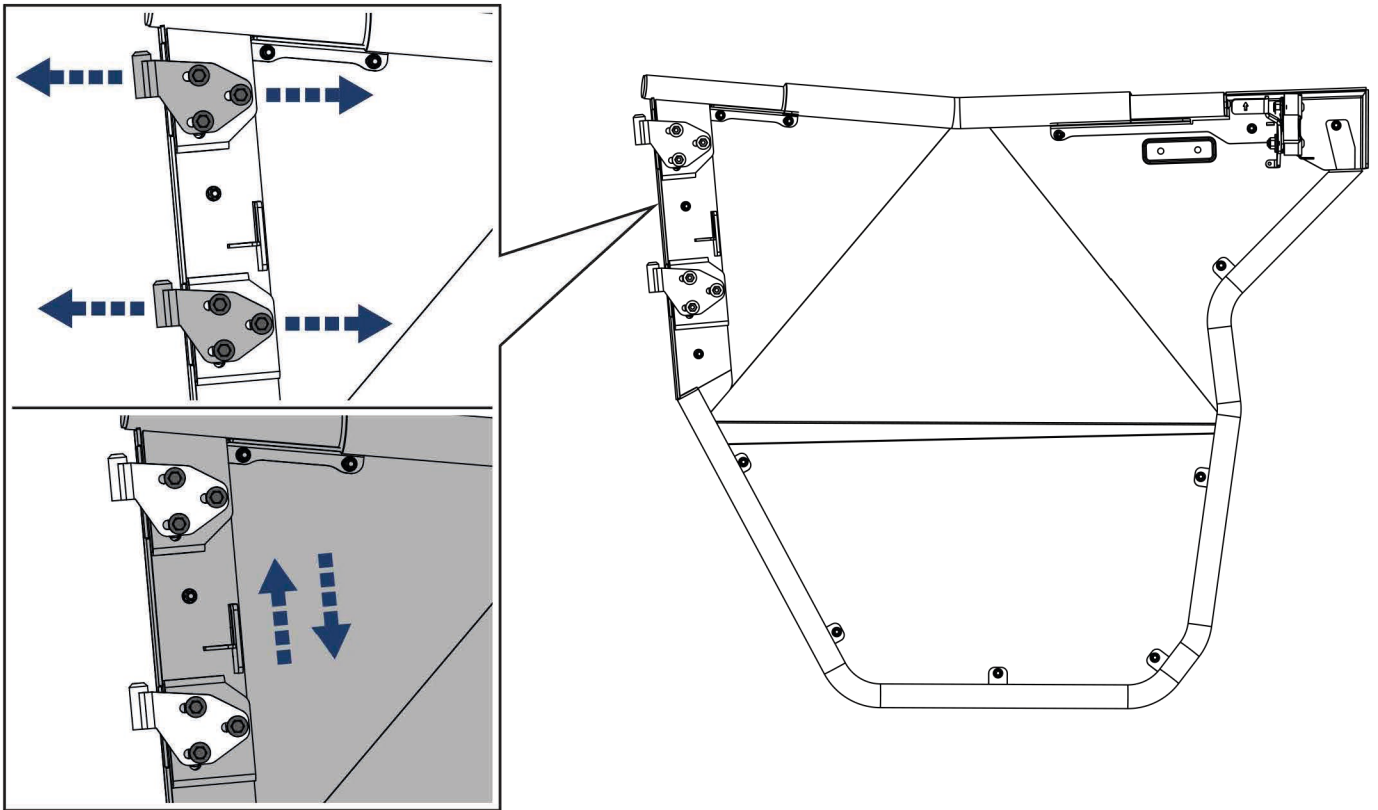




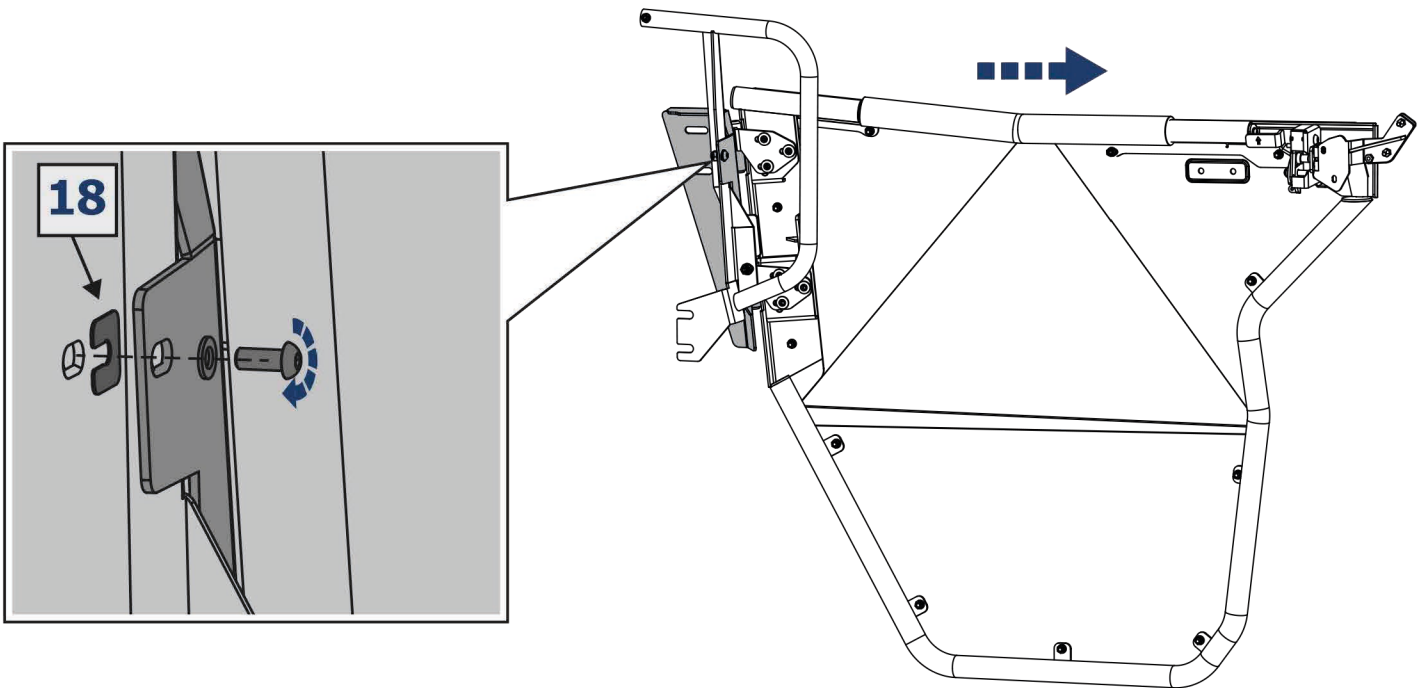




## DOOR POSITION ADJUSTMENT

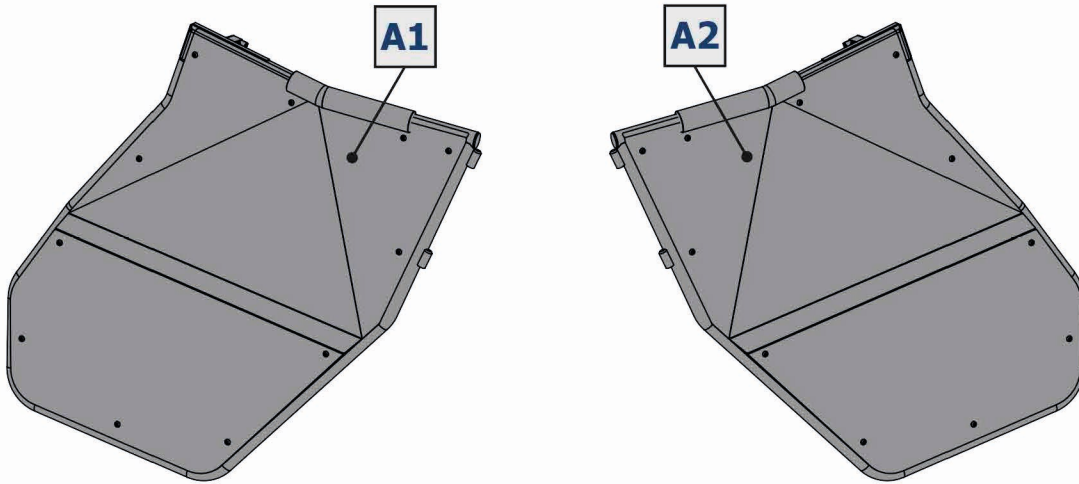
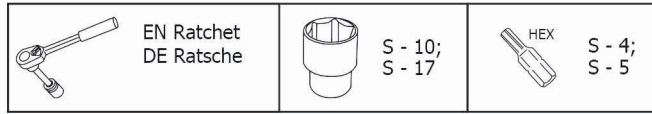


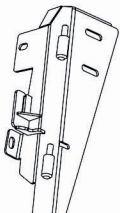
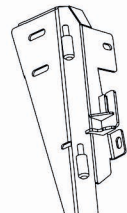
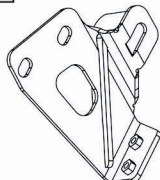
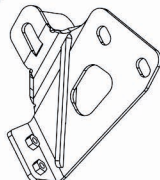
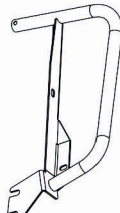
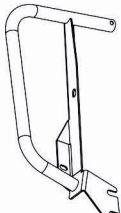
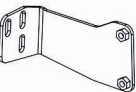
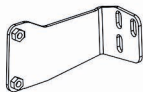
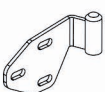
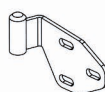
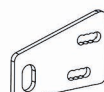
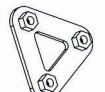

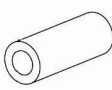
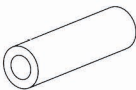
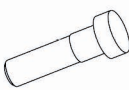

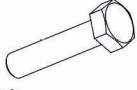
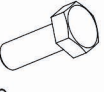
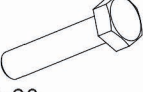
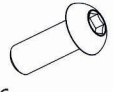
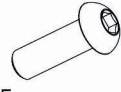
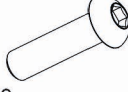
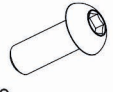
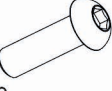




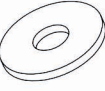




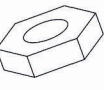

## PACKER INSTALLATION AT BOTH LOCATIONS



TIP: PERIODICALLY CHECK ALL HARDWARE AND RE-TIGHTEN IF NEEDED.

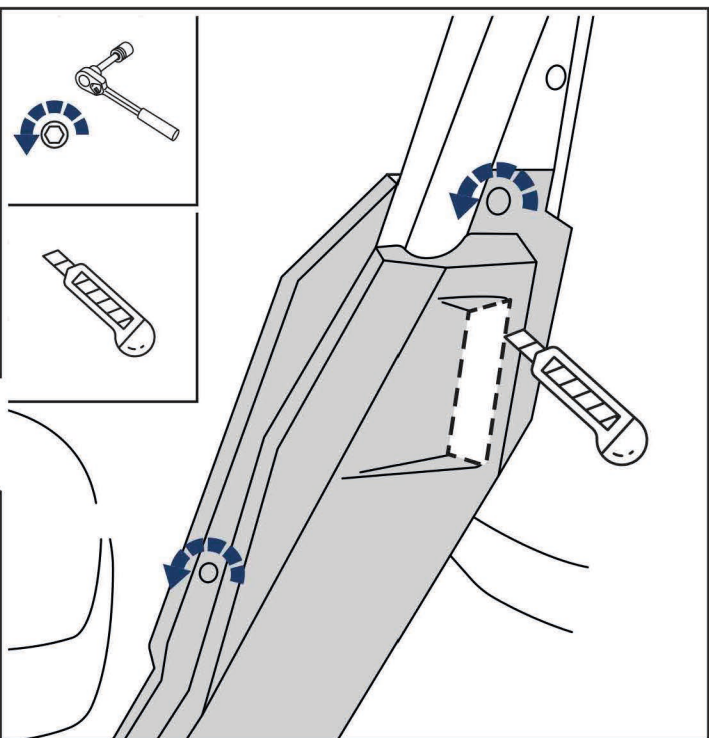
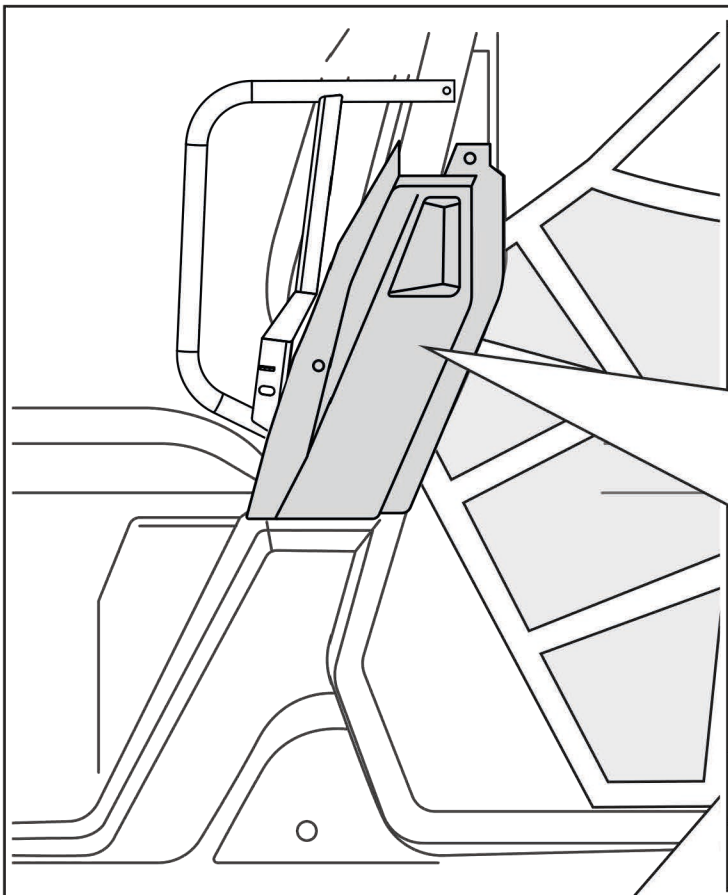
**PART & HARDWARE LIST**  
**REAR DOORS ONLY (2444.7276.2 BOX)**



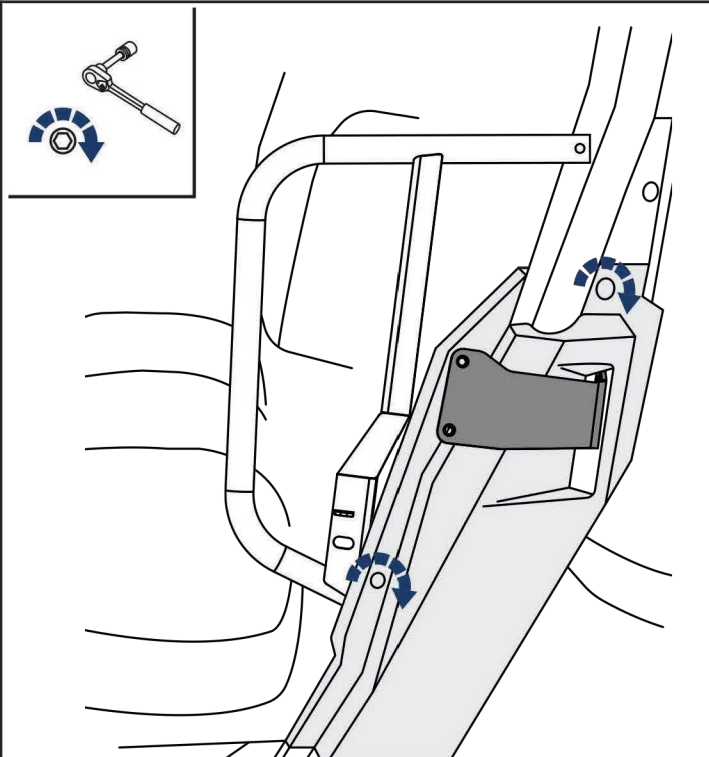
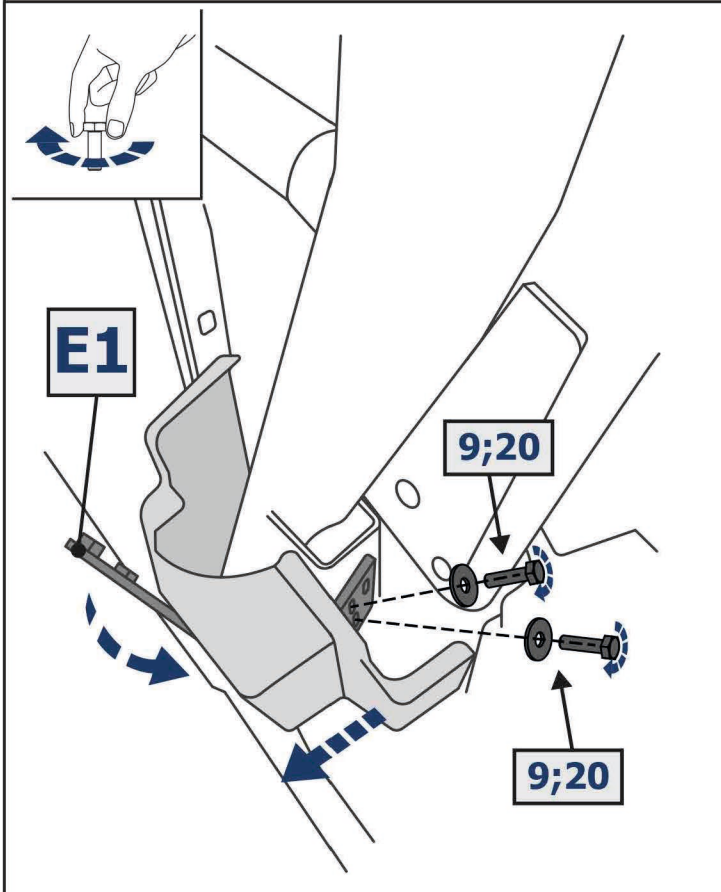
<b>B1</b>  x1	<b>B2</b>  x1	<b>C1</b>  x1	<b>C2</b>  x1	<b>D1</b>  x1	<b>D2</b>  x1
<b>E1</b>  x1	<b>E2</b>  x1	<b>F1</b>  x2	<b>F2</b>  x2	<b>1</b>  x2	<b>2</b>  x4 M6
<b>3</b>  x10	<b>4</b>  x4	<b>5</b>  x2	<b>6</b>  x2	<b>7</b>  x12 M6x20	<b>8</b>  x2 M6x70
<b>9</b>  x4 M8x20	<b>10</b>  x4 M10x80	<b>11</b>  x4 M6x16	<b>12</b>  x2 M6x35	<b>13</b>  x4 M6x50	<b>14</b>  x8 M8x20
<b>15</b>  x2 M8x30	<b>16</b>  x6 ø6	<b>17</b>  x12 ø6	<b>18</b>  x20 ø6	<b>19</b>  x10 ø8	<b>20</b>  x8 ø8
<b>21</b>  x4 ø10	<b>22</b>  x8 ø10	<b>23</b>  x2 M6	<b>24</b>  x4 M8	<b>25</b>  x4 M10	<b>26</b>  x2

PRE-INSTALLATION: LAY OUT COMPONENTS AND COMPARE TO LIST AND IMAGES. IMAGES MAY NOT PORTRAY THE FULL DETAIL OR EXACT SHAPE OF THE PARTS; HOWEVER, THEY REPRESENT PARTS THAT HAVE SAME OR SIMILAR FUNCTION.





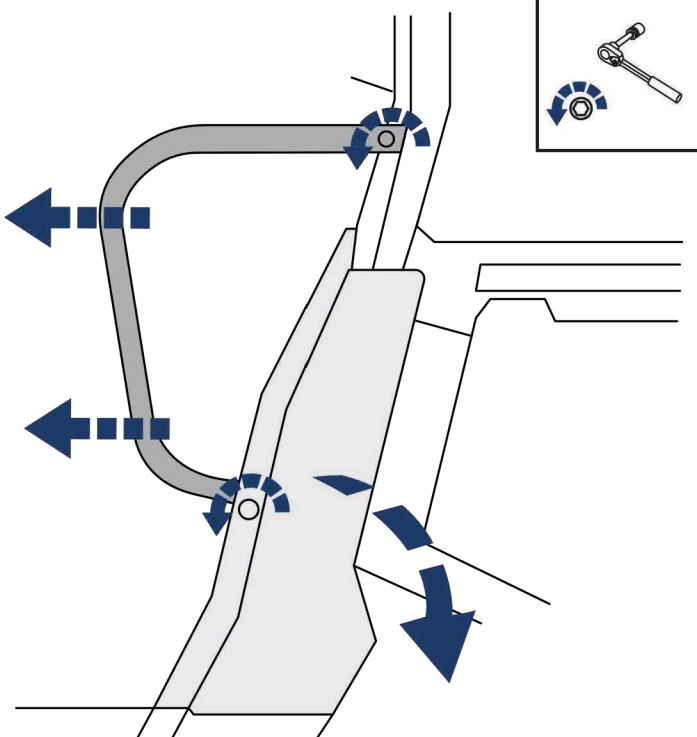
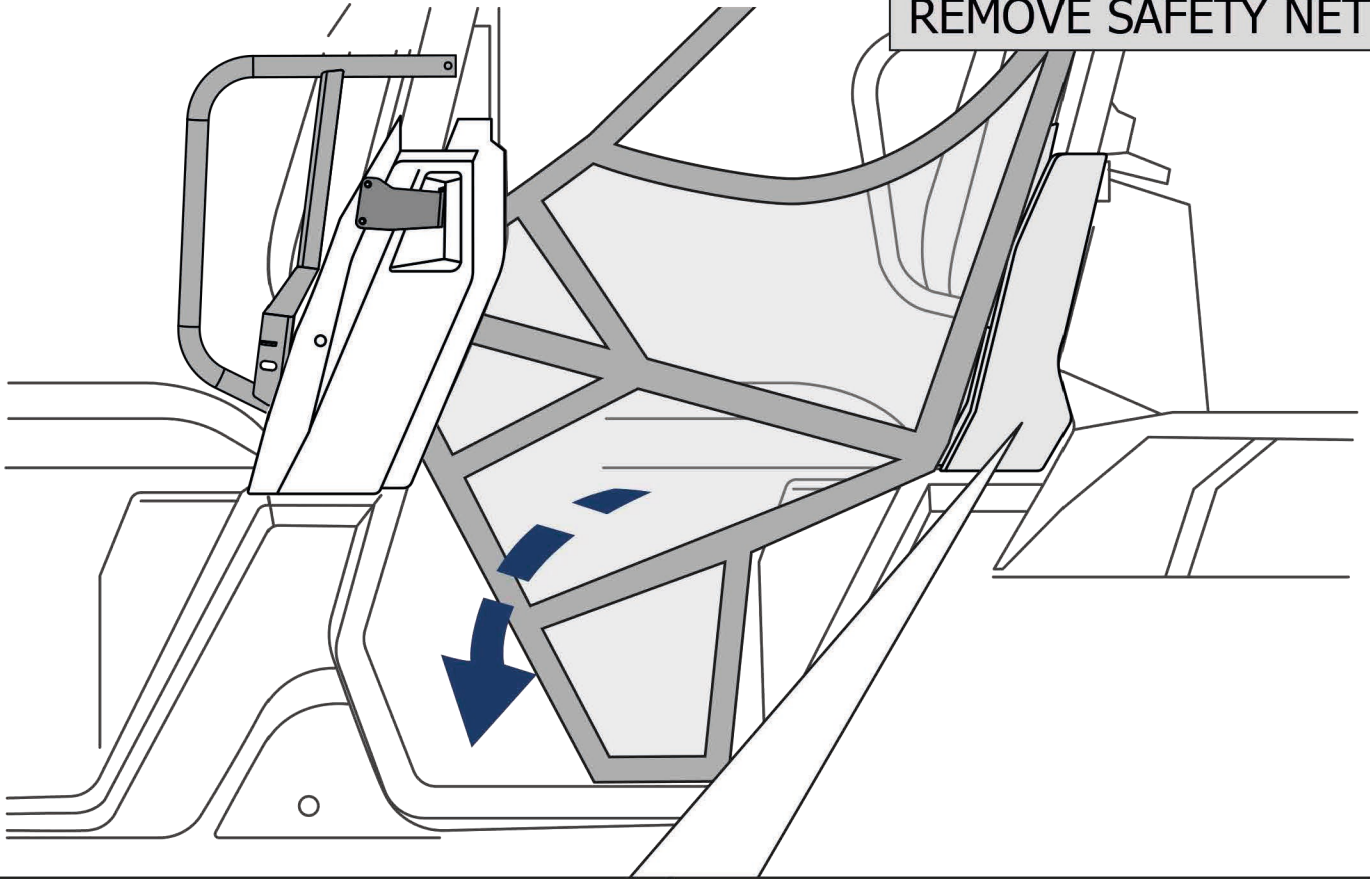
REMOVE MIDDLE CAGE COVER  
CUT NOTCH



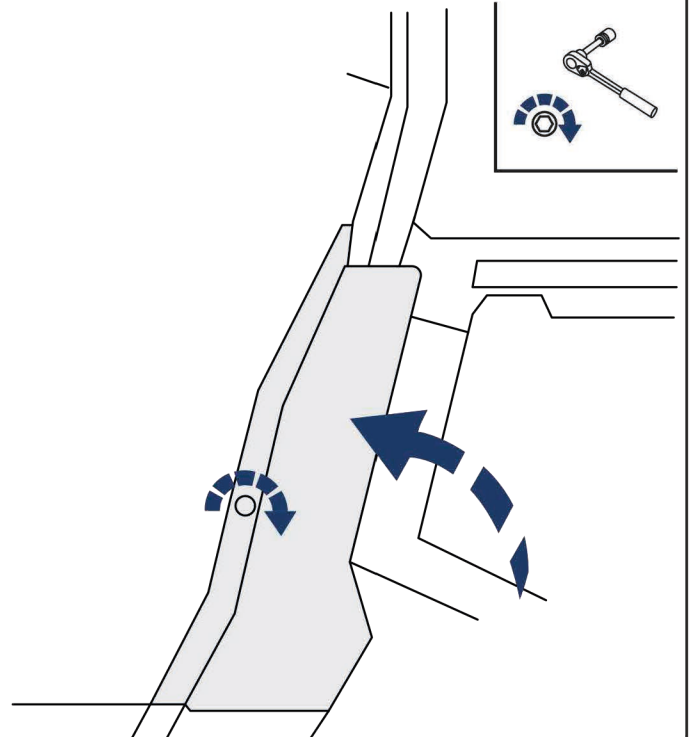
REINSTALL MIDDLE CAGE COVER  
WITH STOCK HARDWARE



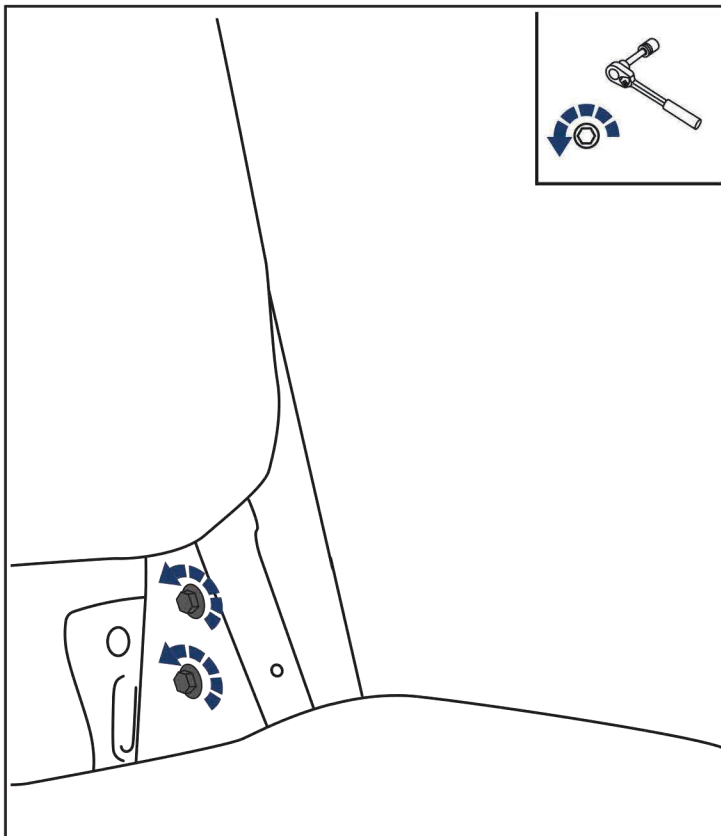
REMOVE SAFETY NET



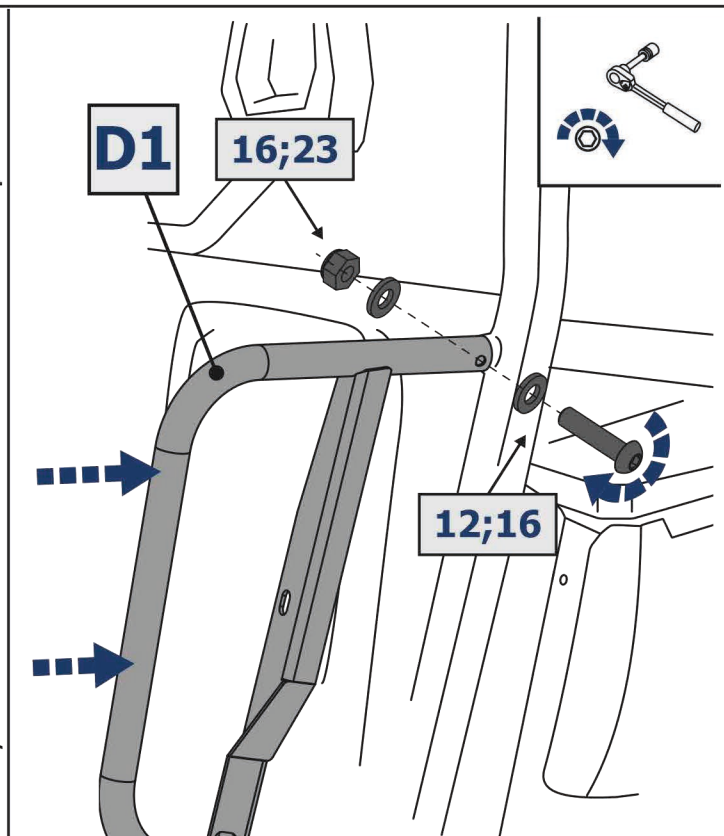
REMOVE PROTECTOR TUBE  
REMOVE REAR CAGE COVER



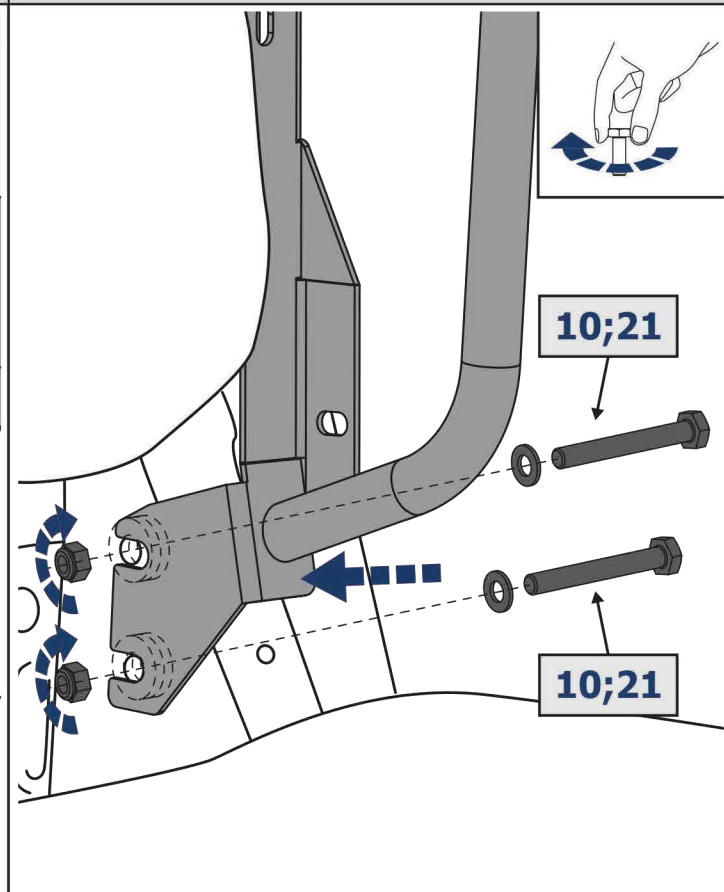
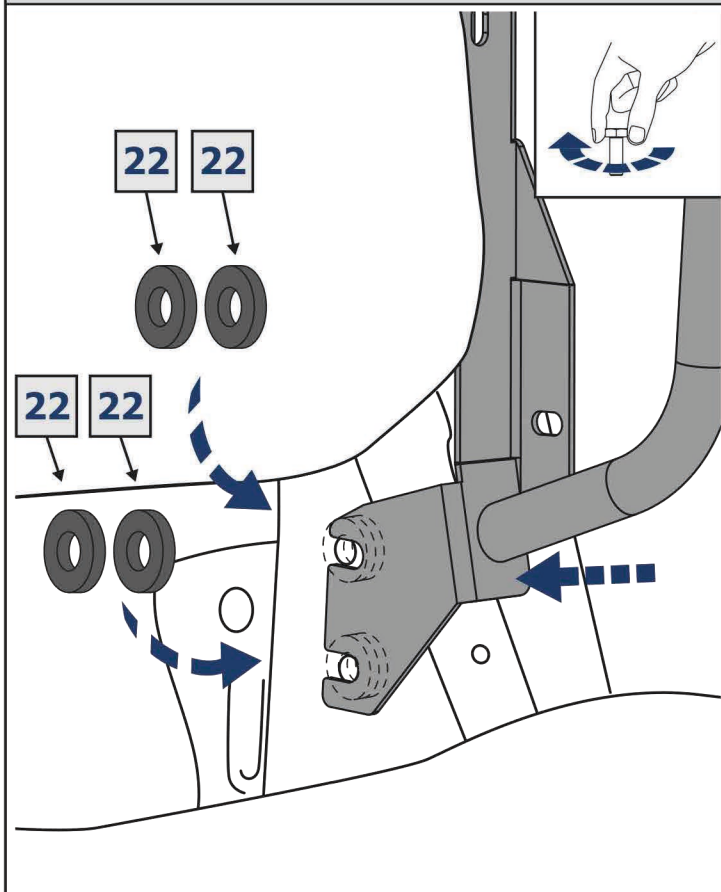
REINSTALL REAR CAGE COVER  
WITH STOCK HARDWARE

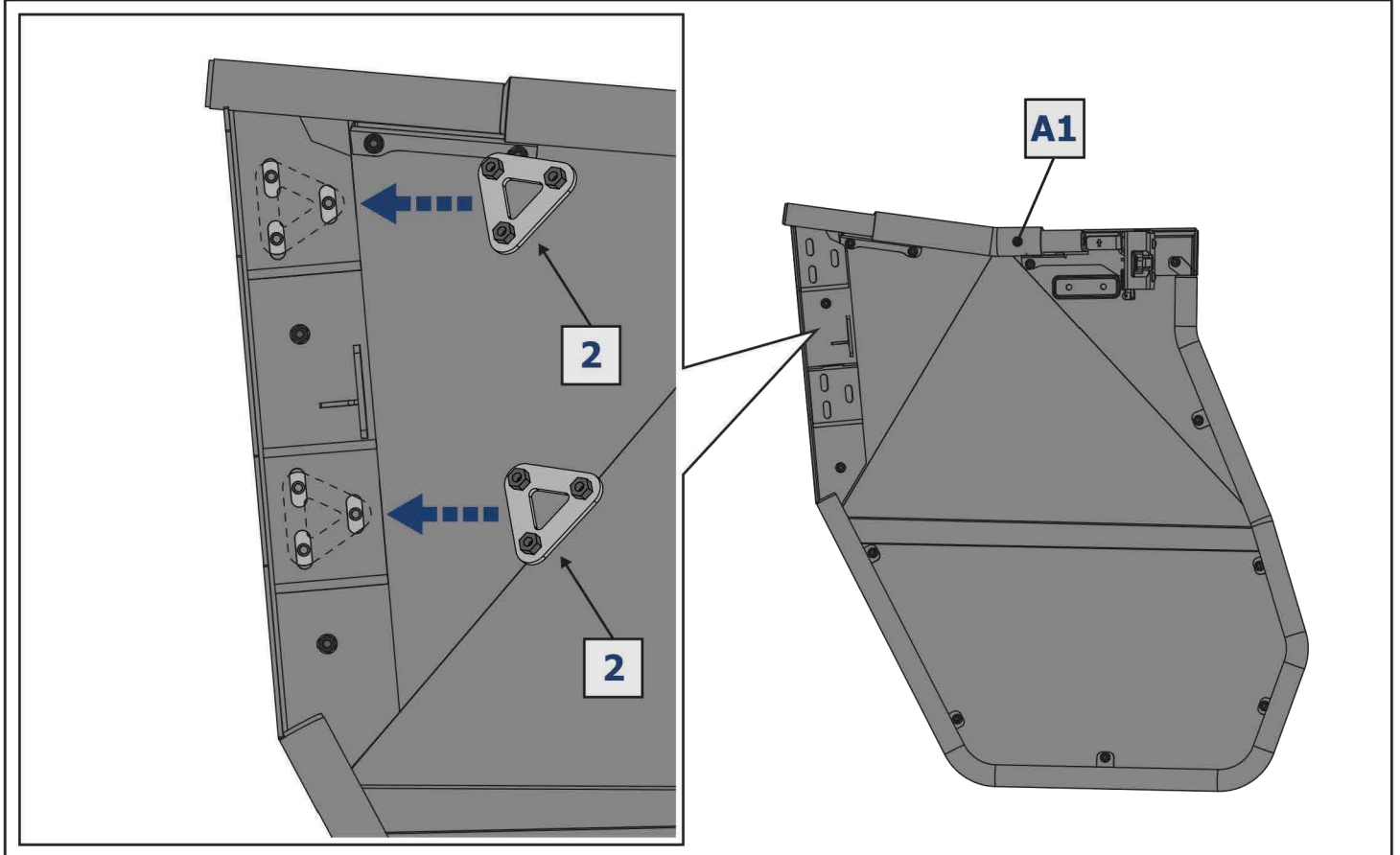
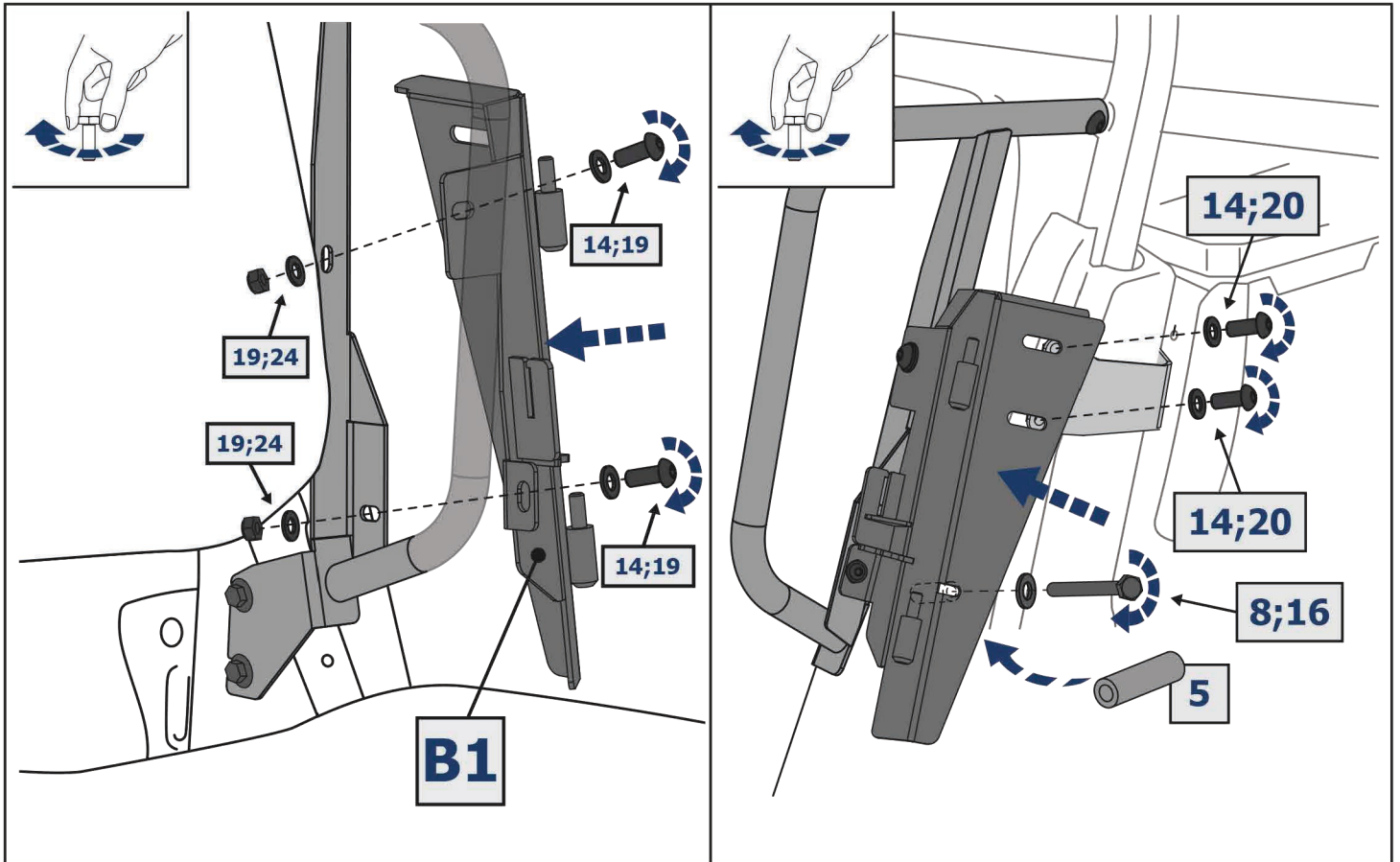


REMOVE HARDWARE

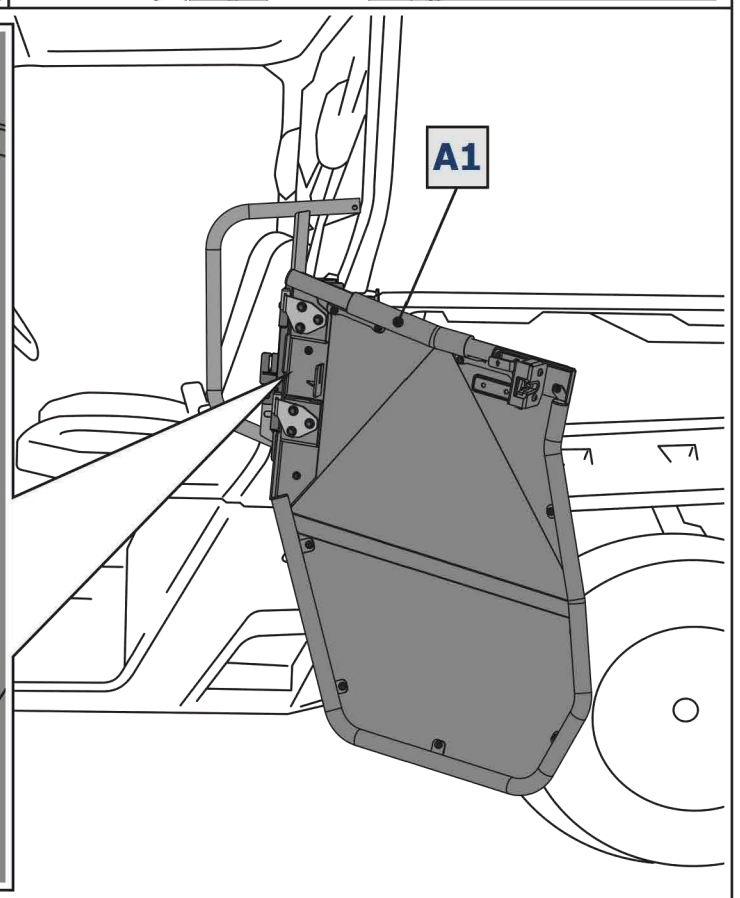
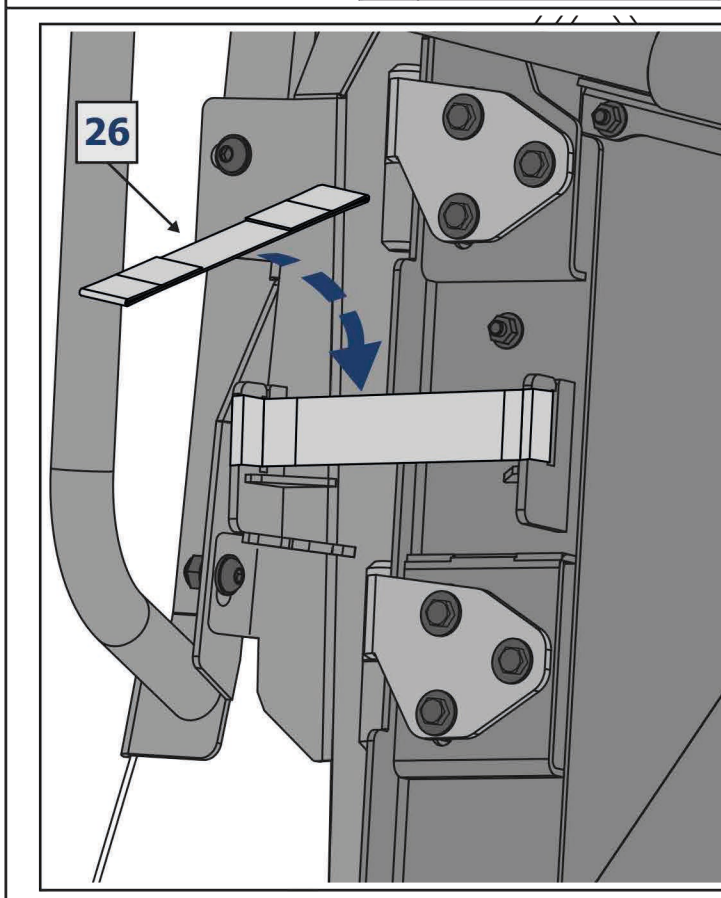
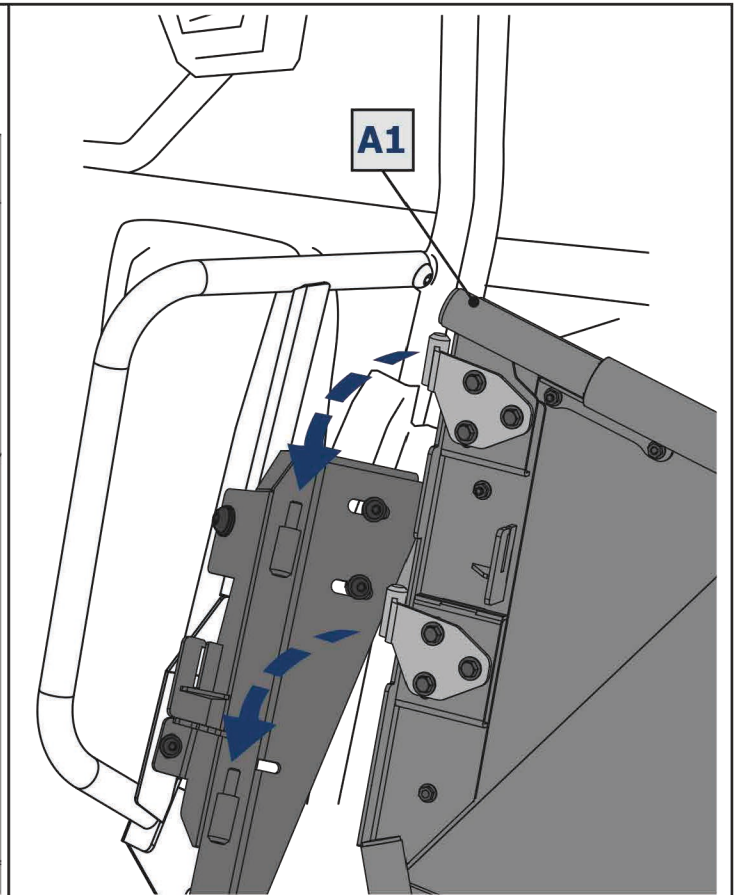
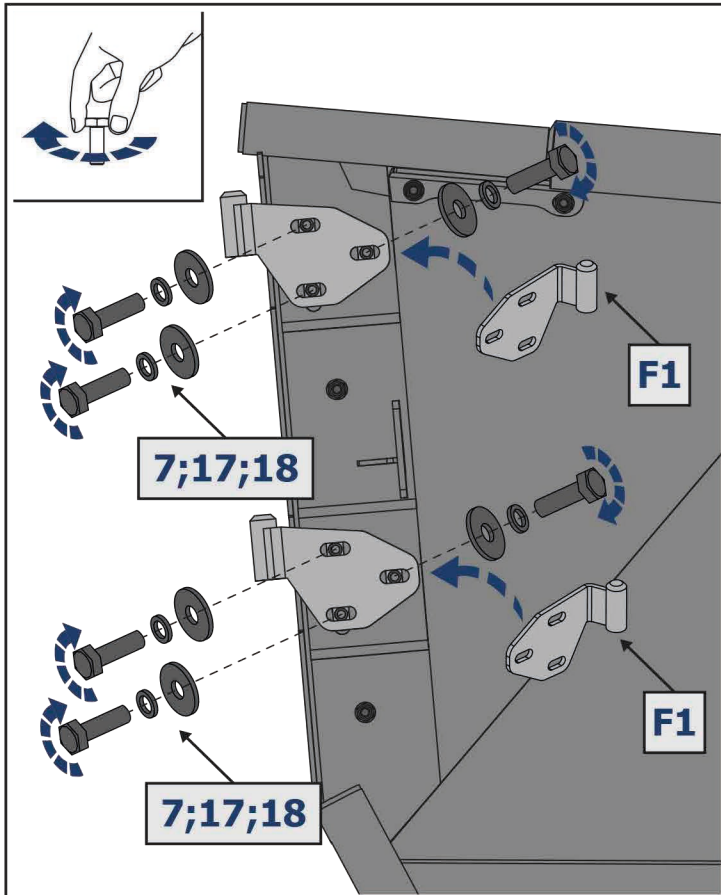


REINSTALL PROTECTOR TUBE

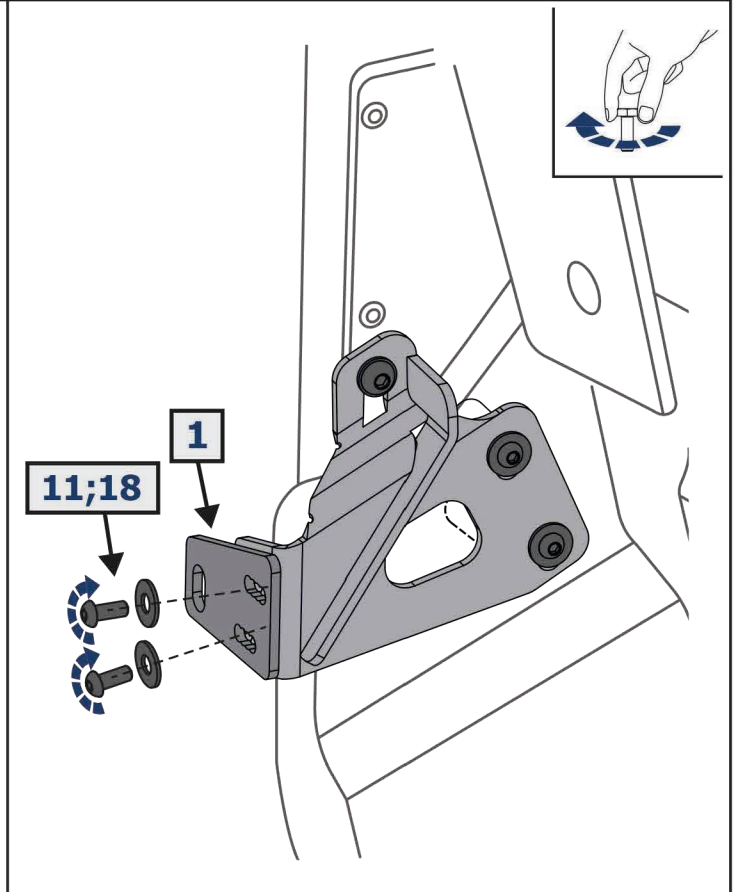
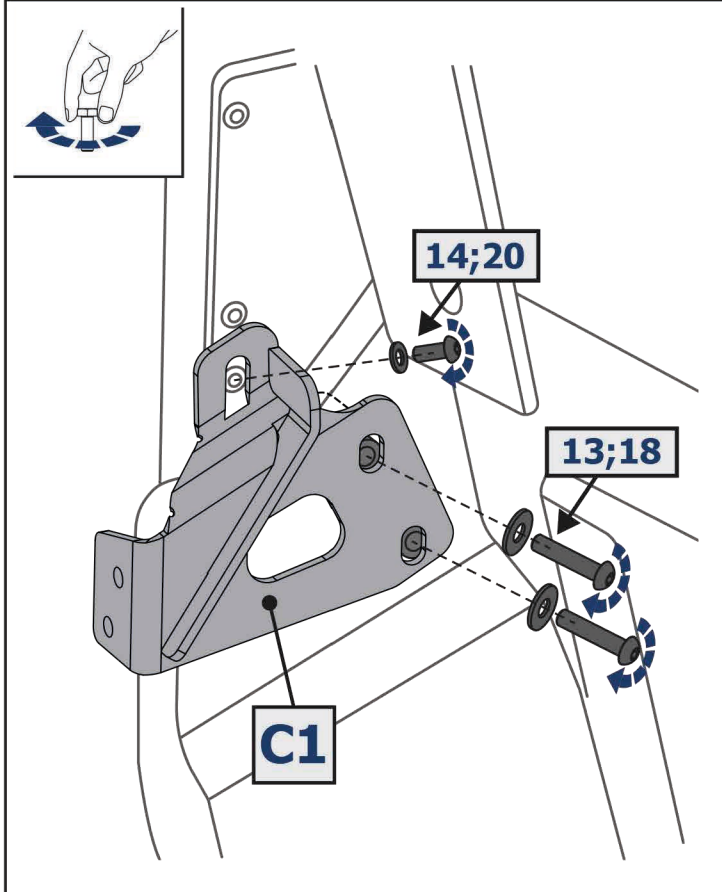
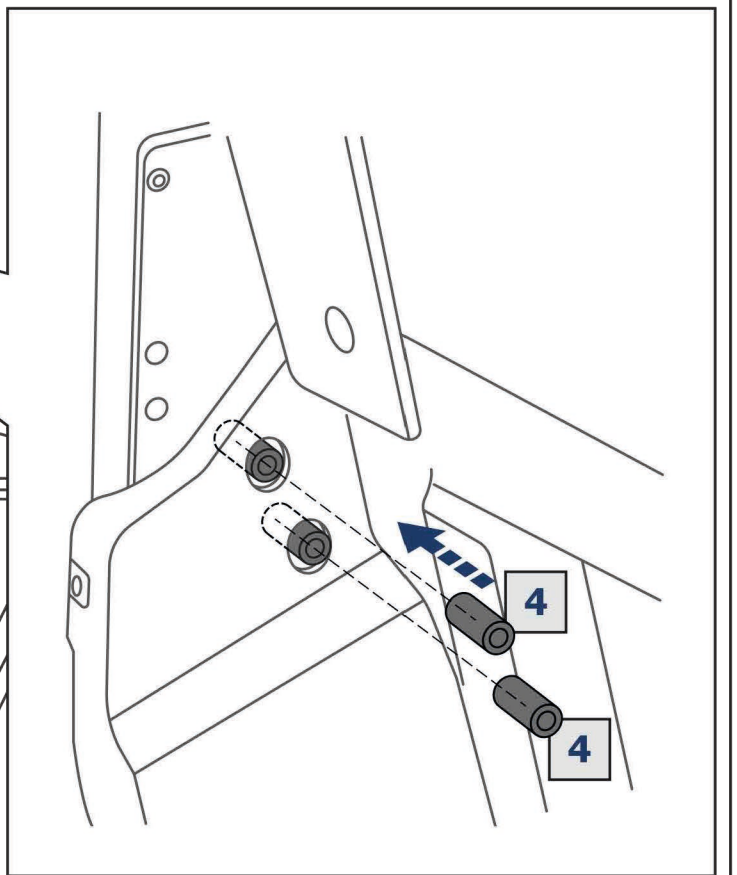
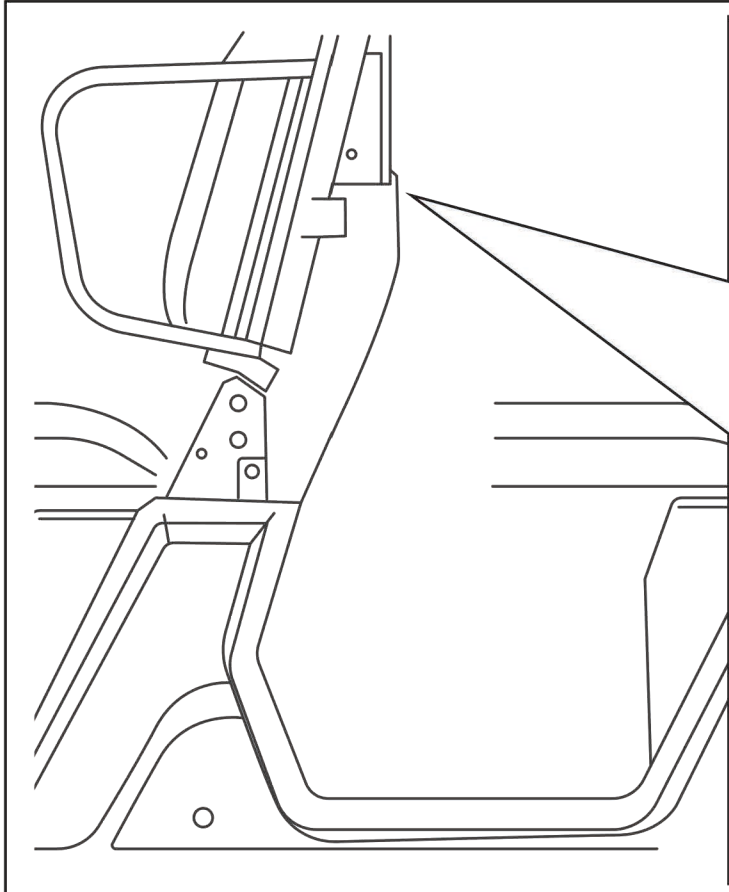


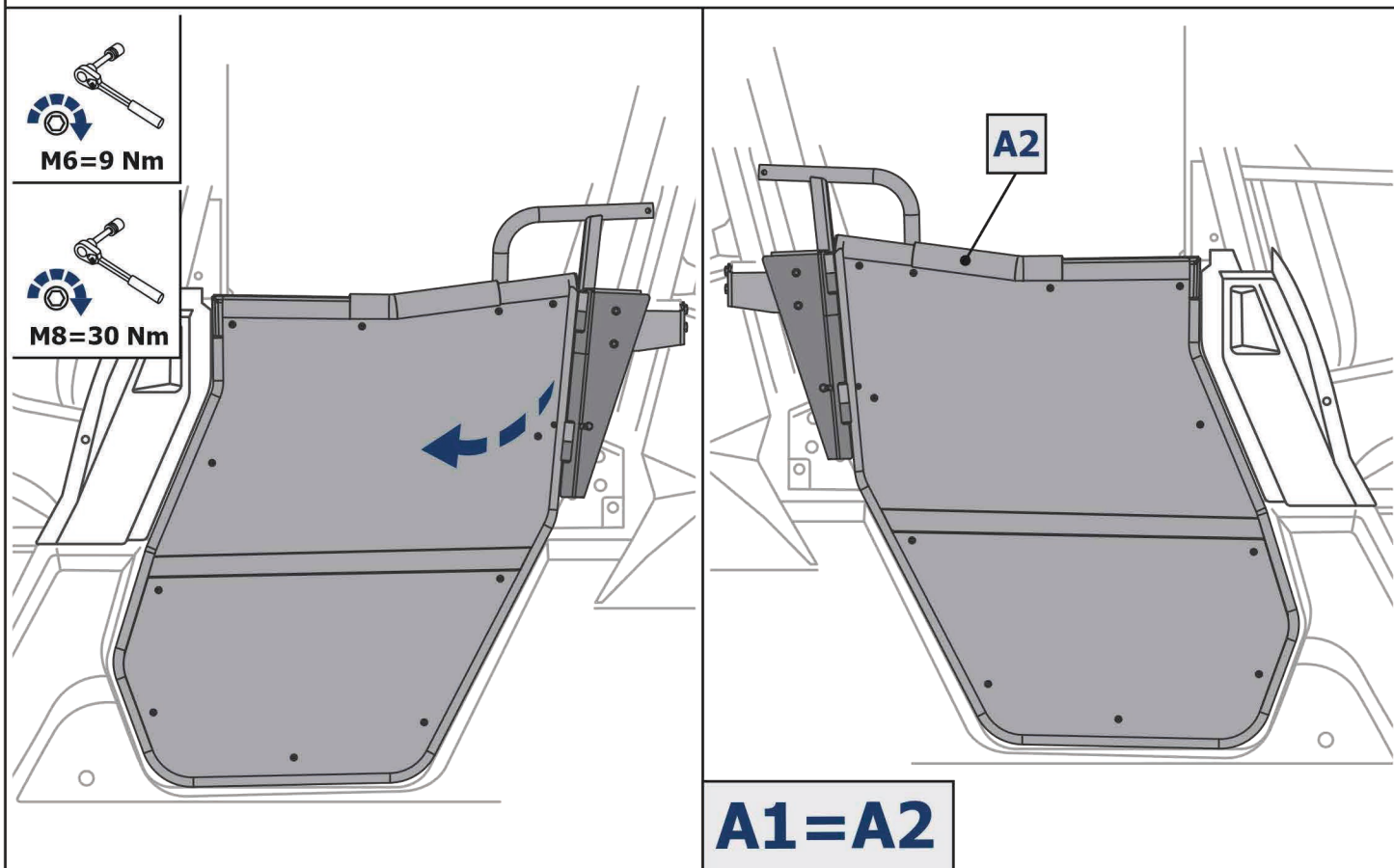
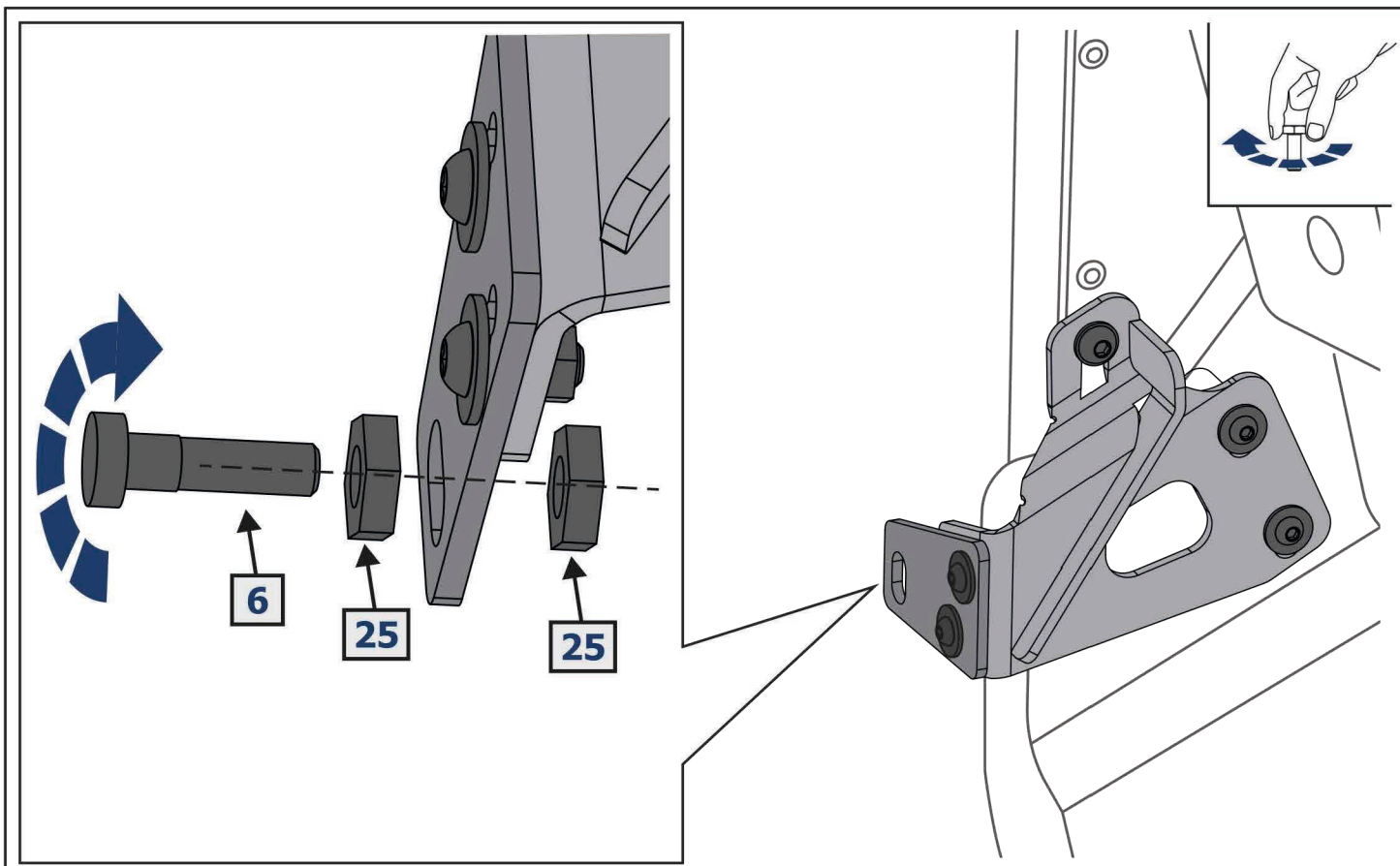




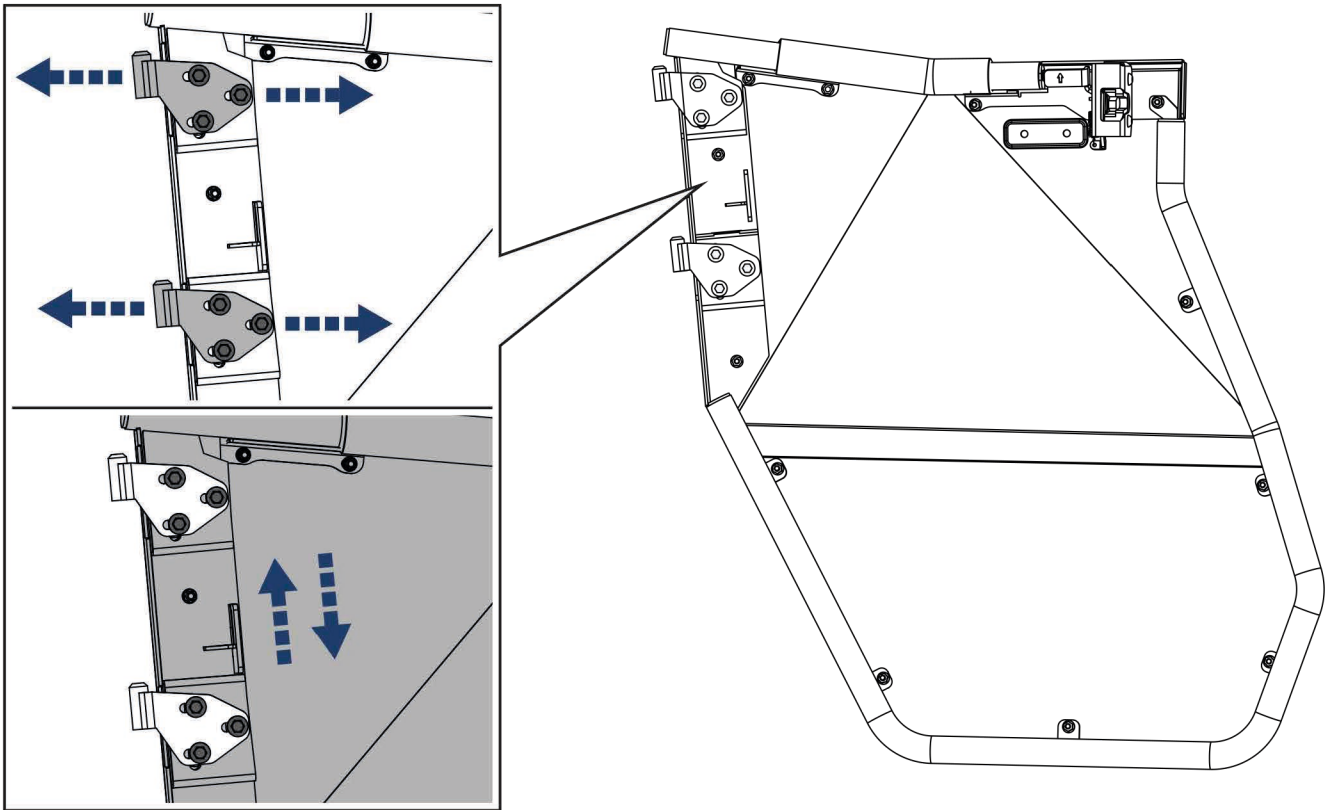




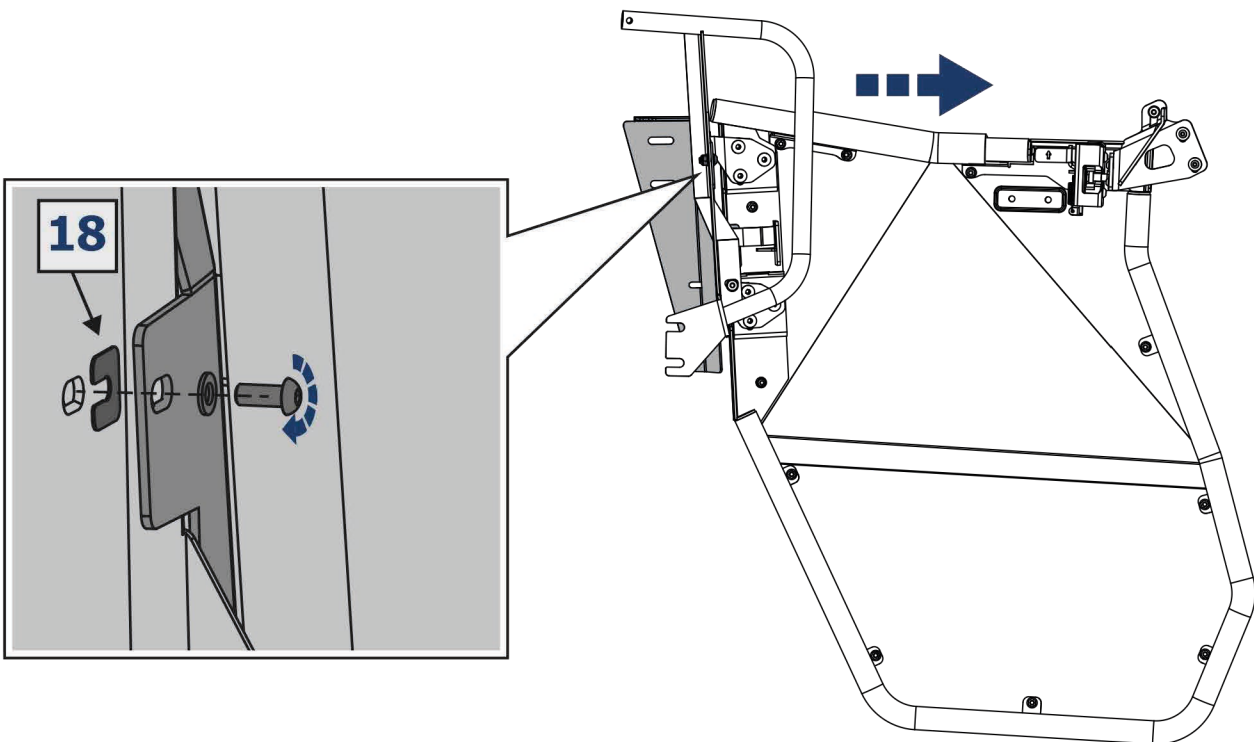




## DOOR POSITION ADJUSTMENT



## PACKER INSTALLATION AT BOTH LOCATIONS



TIP: PERIODICALLY CHECK ALL HARDWARE AND RE-TIGHTEN IF NEEDED.