

EN DOOR KIT INSTALLATION MANUAL

DE MONTAGEEINLEITUNG TÜREN SET

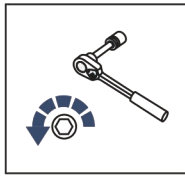
Fitting Video



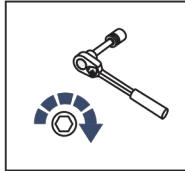
For: BRP Can-Am Defender/Traxter (2016-)

2444.7266.2

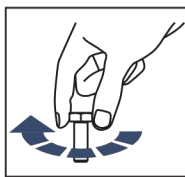




EN Regular fasteners
DE Schraube herausdrehen



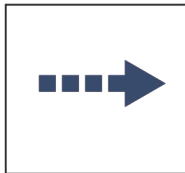
EN Regular fasteners
DE Schraube eindrehen und festziehen



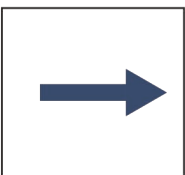
EN Screw a several turns
DE Schraube wenige Umdrehungen eindrehen



EN Loosen bolts
DE Schraube wenige Umdrehungen lösen



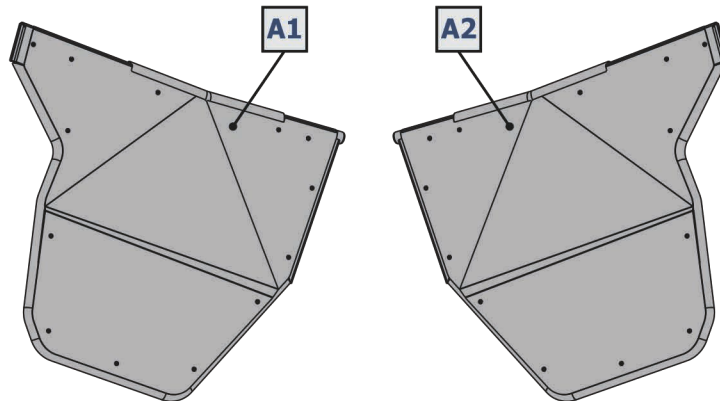
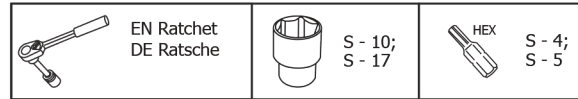
EN Movement Arrow
DE Bewegungsrichtung



EN Location/Position Arrow
DE Blickrichtung / Postionsrichtung



EN Screw Arrow
DE Drehrichtung

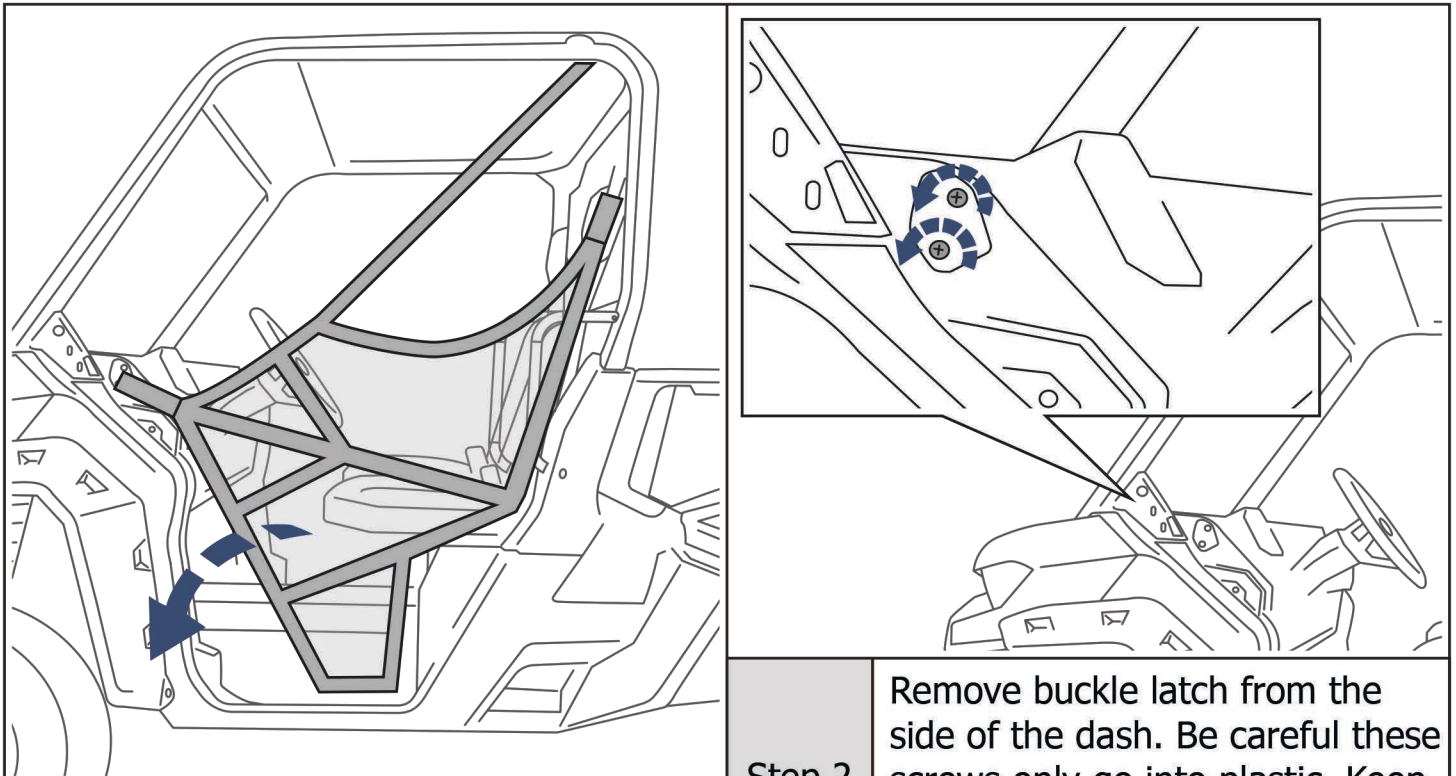


| | | | | | |
|---------------------------|----------------------------|---------------------------|---------------------------|---------------------------|-------------------------|
| B1 x1 | B2 x1 | C1 x1 | C2 x1 | D1 x1 | D2 x1 |
| E1 x1 | E2 x1 | F1 x2 | F2 x2 | 1 x2 | 2 M6 x4 |
| 3 x2 | 4 x10 | 5 x2 | 6 x2 | 7 M6x20 x12 | 8 M6x70 |
| 9 M8x20 x12 | 10 M10x80 x4 | 11 M6x16 x6 | 12 M6x25 x4 | 13 M6x35 x2 | 14 x2 |
| 15 ø6 x6 | 16 ø6 x12 | 17 ø6 x18 | 18 ø8 x8 | 19 ø8 x8 | 20 ø10 x4 |
| 21 ø10 x8 | 22 M6 x2 | 23 M8 x4 | 24 M10 x4 | | |

BRACKETS KIT

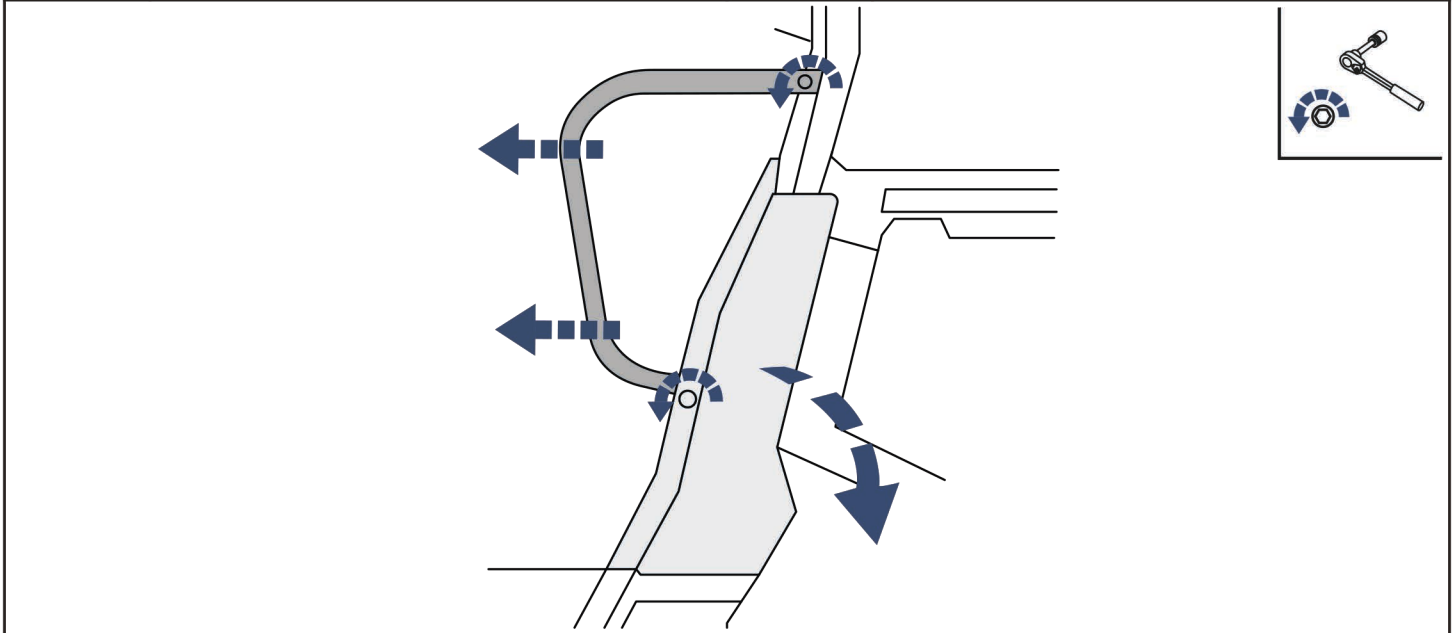
| | | | | | |
|---------------------|---------------------|---------------------------|---------------------------|------------------------|------------------------|
| 25 x1 | 26 x1 | 27 M6x16 x2 | 28 M6x25 x2 | 29 ø6 x6 | 30 M6 x2 |
|---------------------|---------------------|---------------------------|---------------------------|------------------------|------------------------|

PRE-INSTALLATION: LAY OUT COMPONENTS AND COMPARE TO LIST AND IMAGES. IMAGES MAY NOT PORTRAY THE FULL DETAIL OR EXACT SHAPE OF THE PARTS; HOWEVER, THEY REPRESENT PARTS THAT HAVE SAME OR SIMILAR FUNCTION.



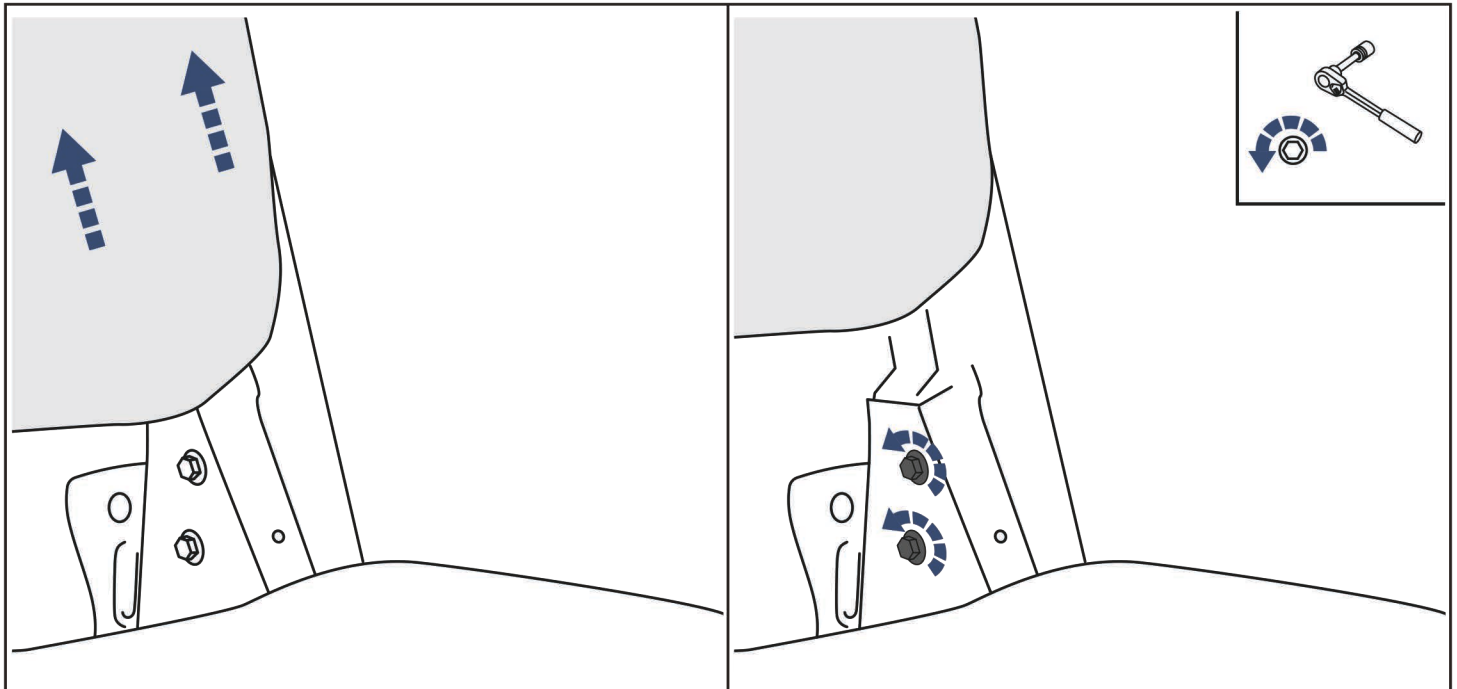
Step 1 Remove factory safety net from all points.

Step 2 Remove buckle latch from the side of the dash. Be careful these screws only go into plastic. Keep them you will need to re install them later.



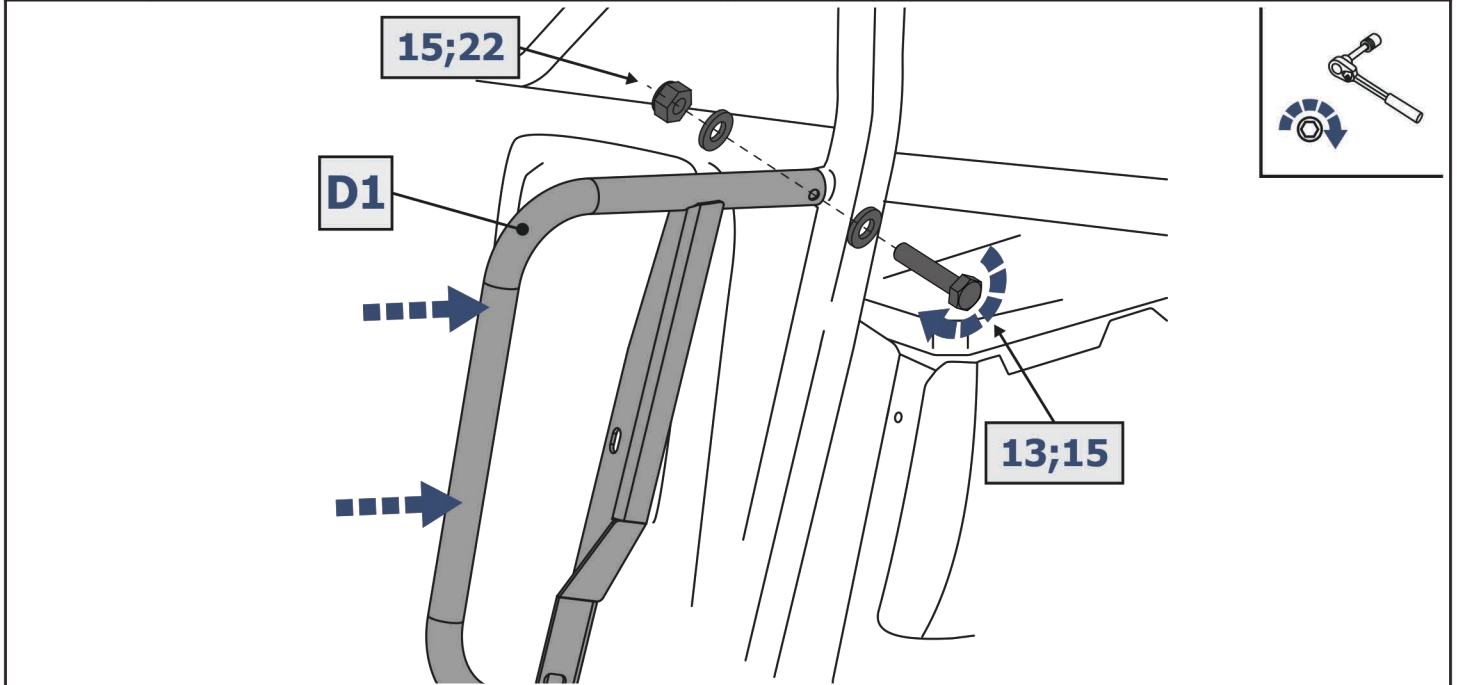
Step 3 Lift the bed up and remove the 2 plastic push pins inserted at the back of this cover and then remove the bottom screw of the plastic cover.

Step 4 Remove the metal shoulder guard. Pro tip if the unit has the nice curved washers keep them and re install when time to fit the door bracket. The washer look great if not use the washers provide.



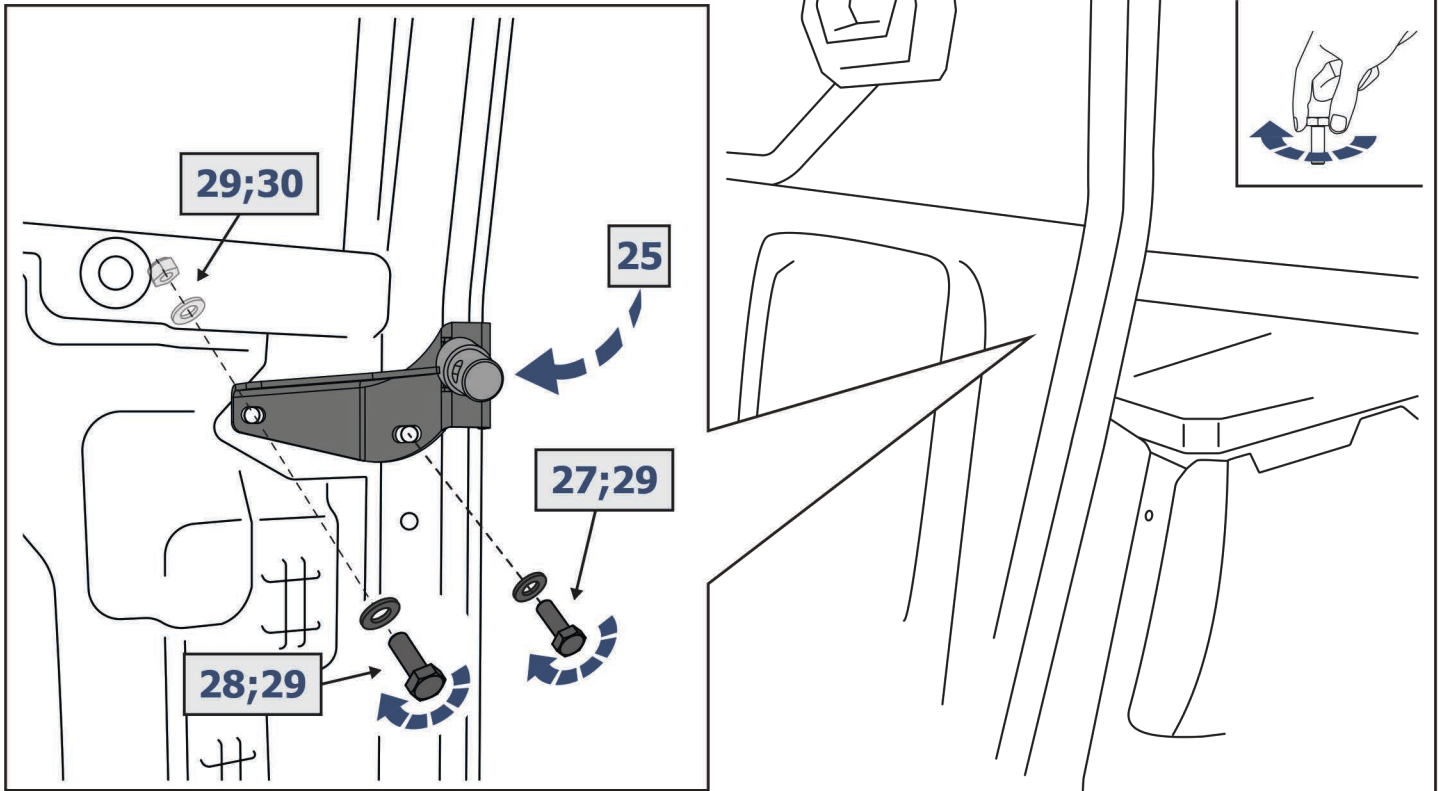
Step 5 Remove the top half of your seat by pulling it out and up.

Step 6 By removing the top half of your seat it will allow you easier access to remove these 2 bolts from your machine.

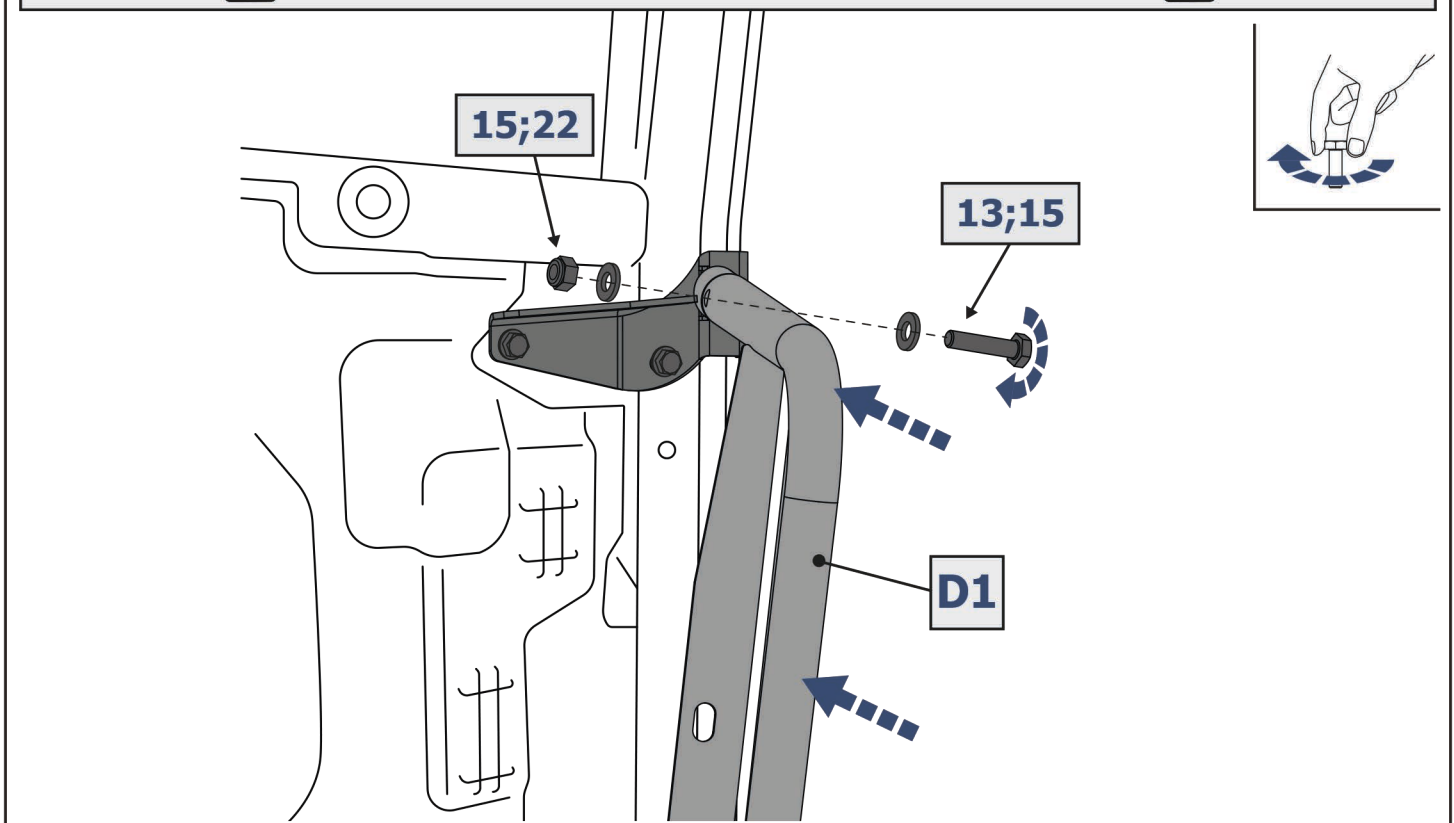


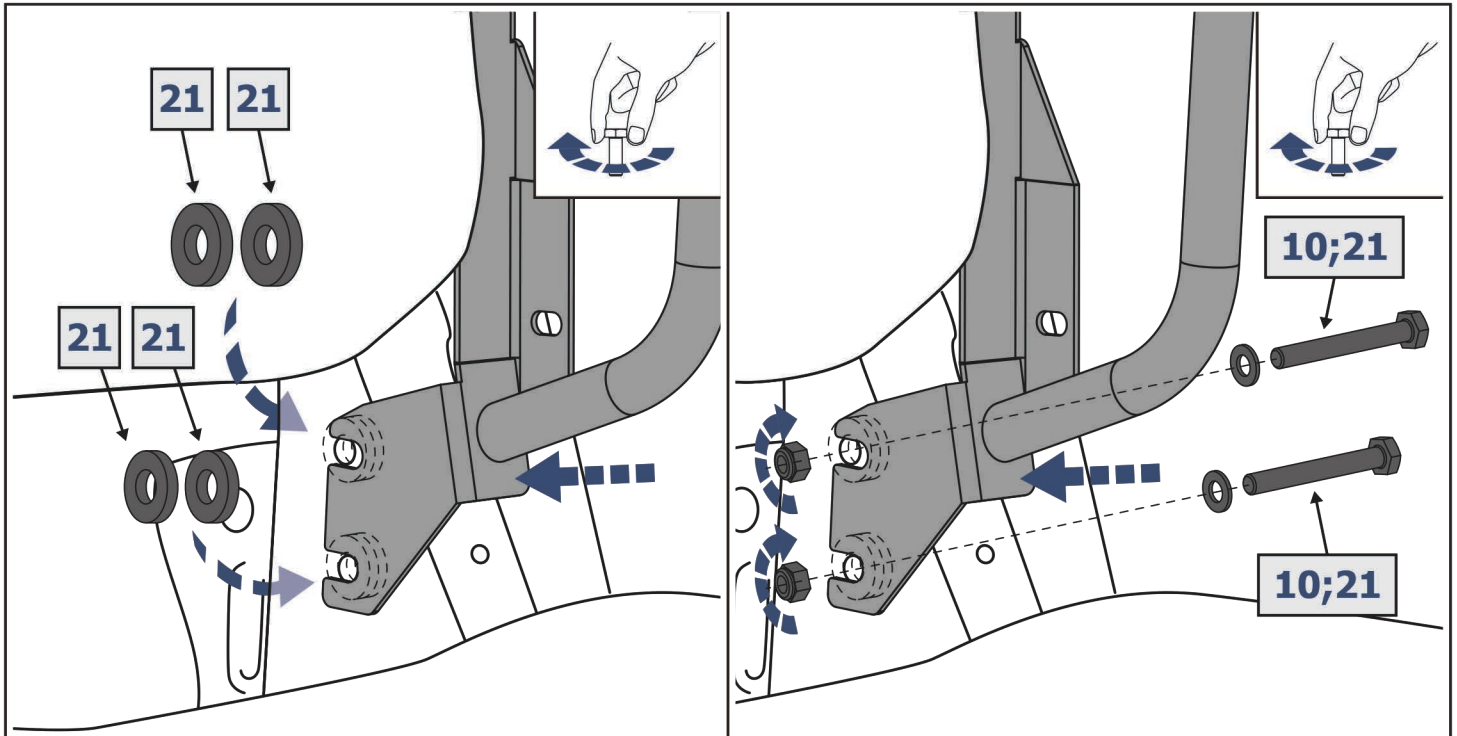
Step 7 Slide bracket D1 or D2 depending on what side your installing by sliding it back over where the OE shoulder guard was located. Depending on what year model you have this hole can be thread all the way through or need a long bolt. If threaded you can re use the OE bolt or the bolts provided.

! For: BRP Can-Am Defender/Traxter (2023-) ONLY !

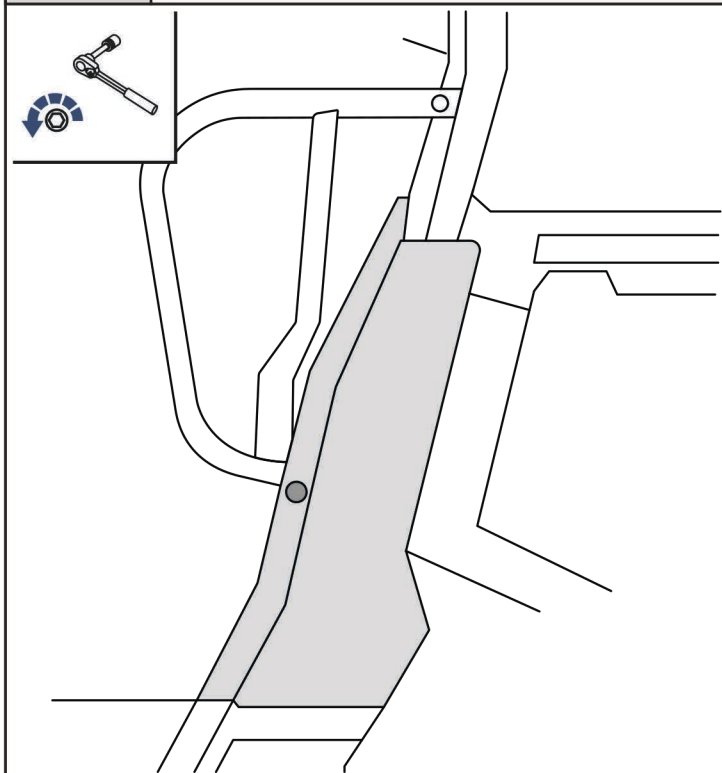


! For: BRP Can-Am Defender/Traxter (2023-) ONLY !

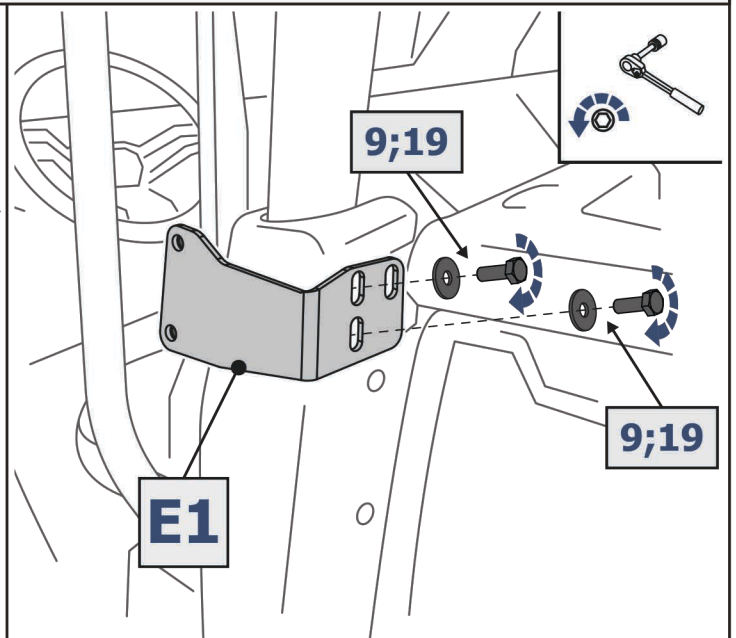




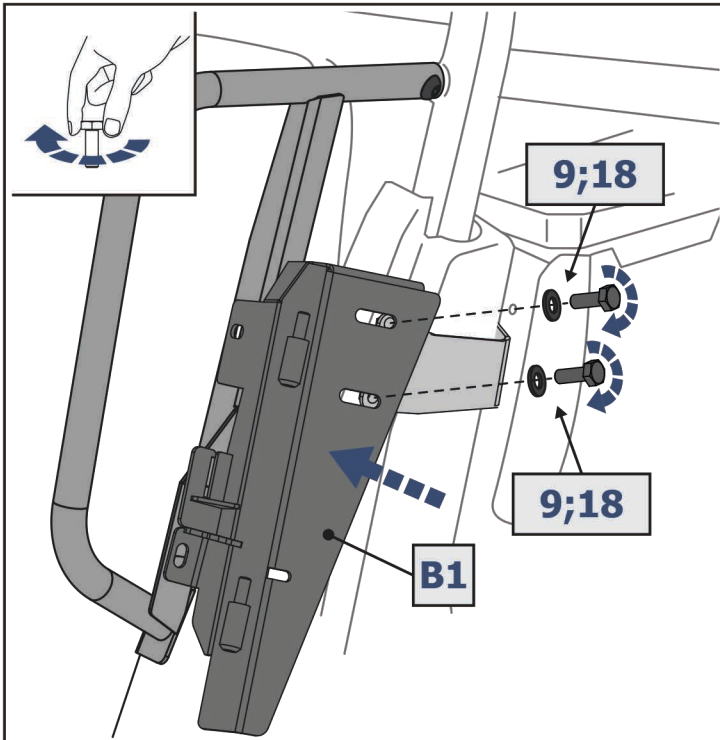
Step 8 Place spacer on the inside between the bike and the bracket. Push bolts through from the out side of the bike and Set the bracket in the middle of the fork section of the bracket for now. Put nuts on and do up tight.



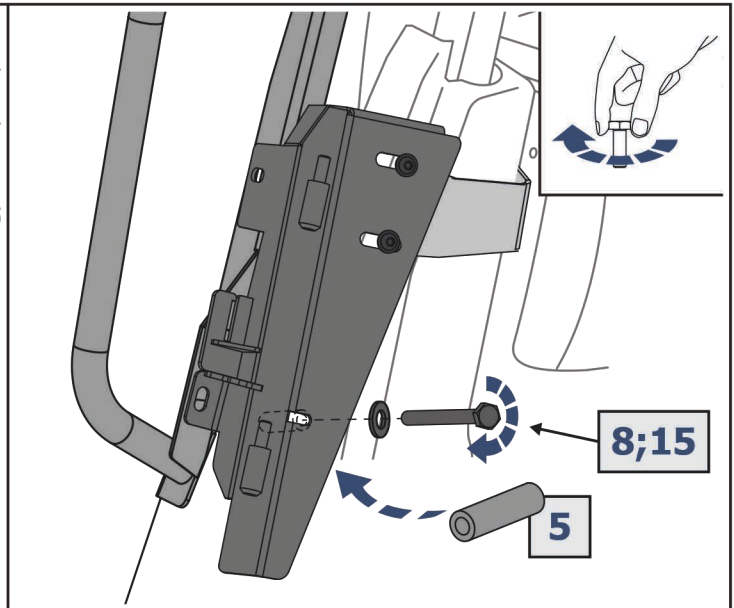
Step 9 Reinstall cage cover with stock hardware.



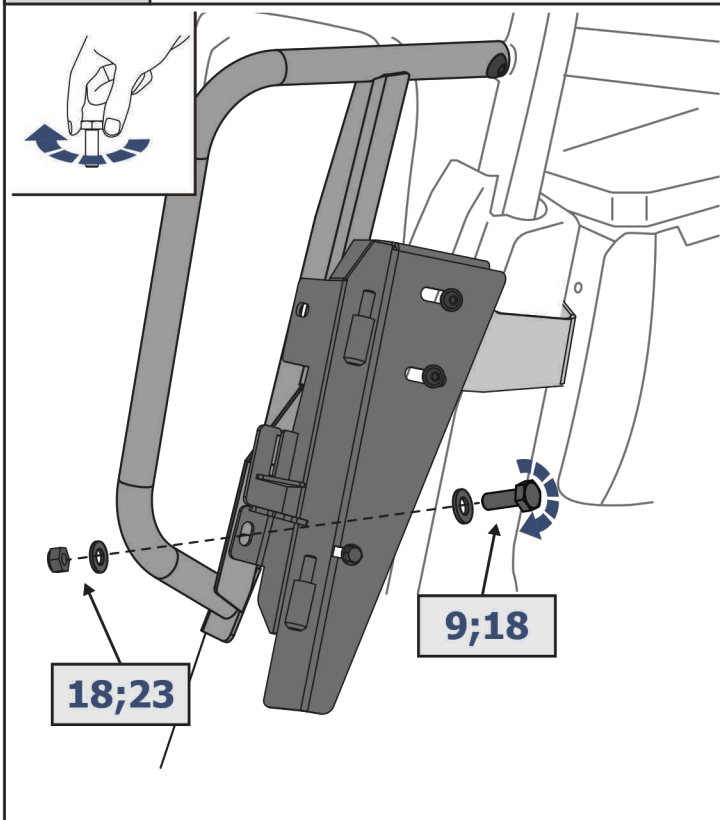
Step 10 Place the bolt #9 and washer #19 in the threaded hole. there will always be one hole with no bolt this is to accommodate different year models.



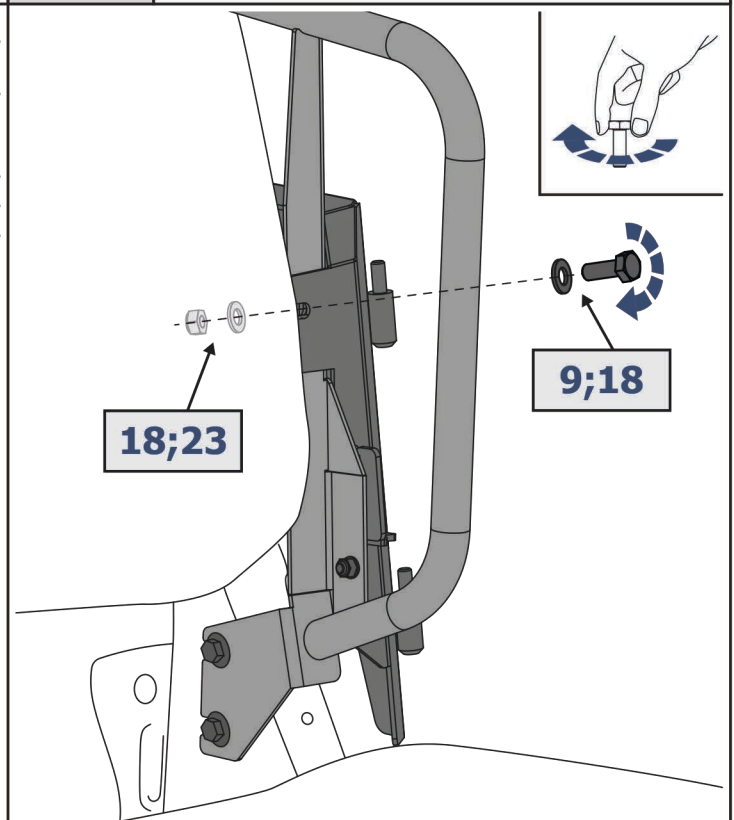
Step 11 Place only the top bolt in here and only a few threads enough just to hold the the cover.



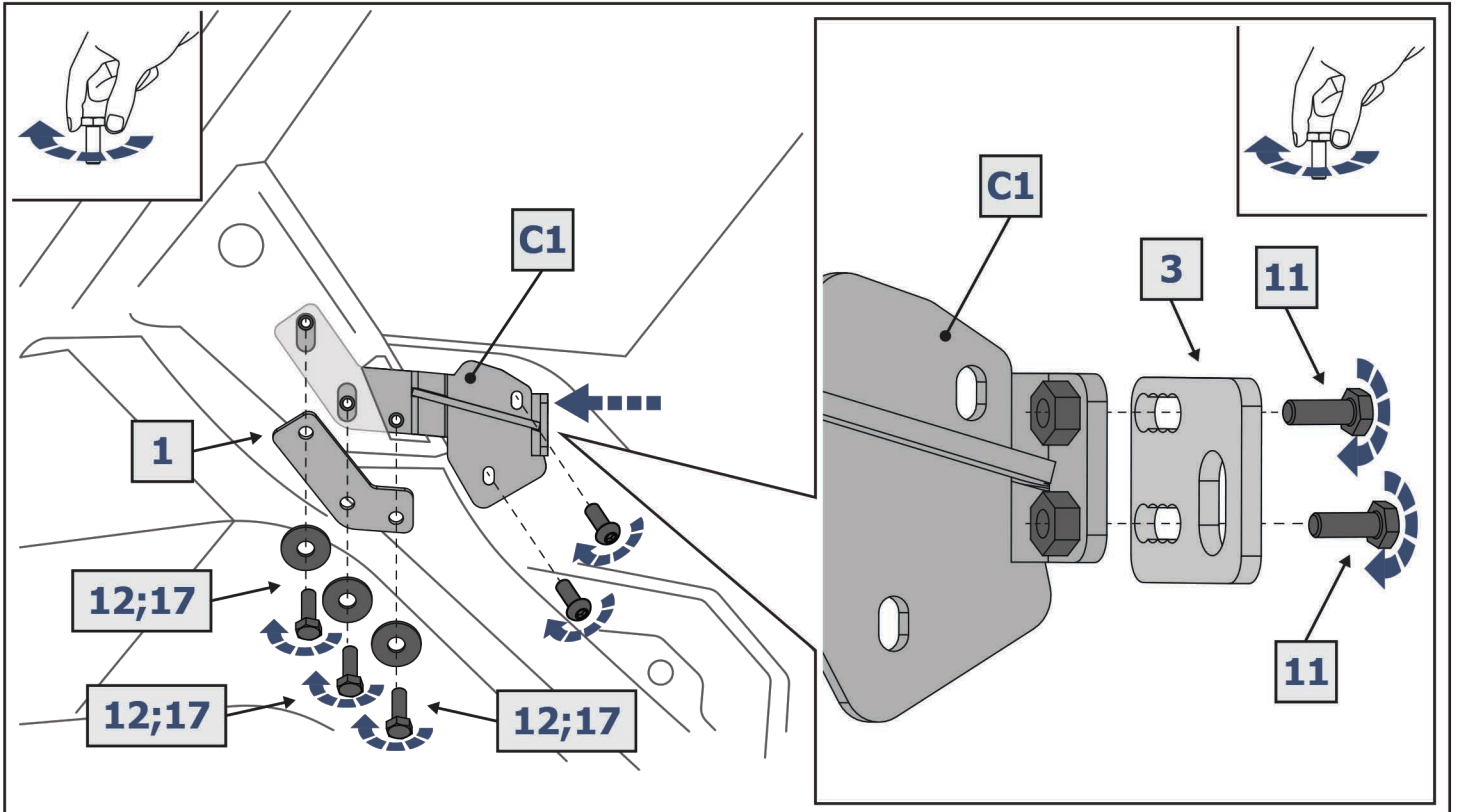
Step 12 Take spacer #5 and place underneath the cover then insert bolt #8 with washer #15 through into the thread hole. leave this loose until you have installed the other bolts.



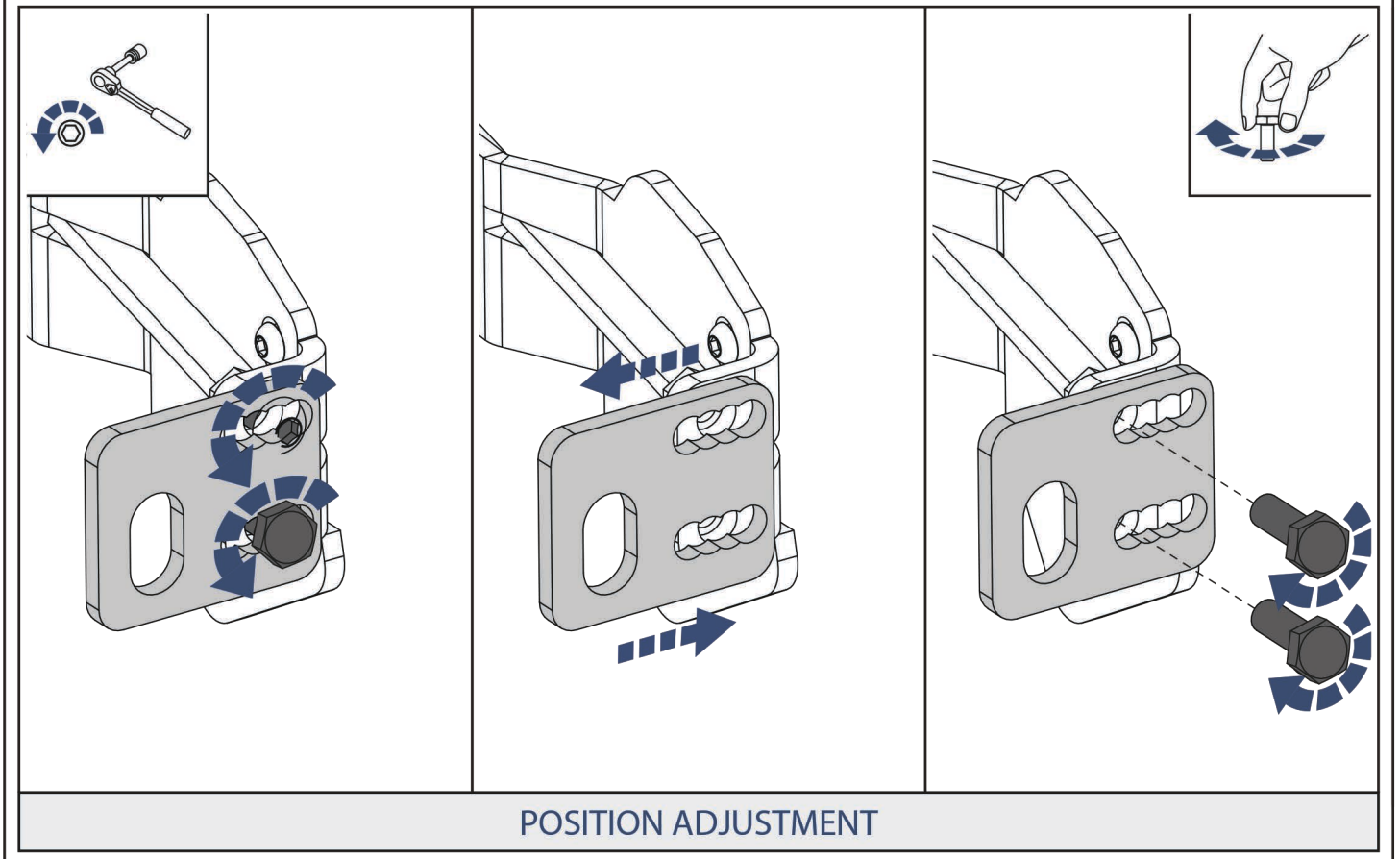
Step 13

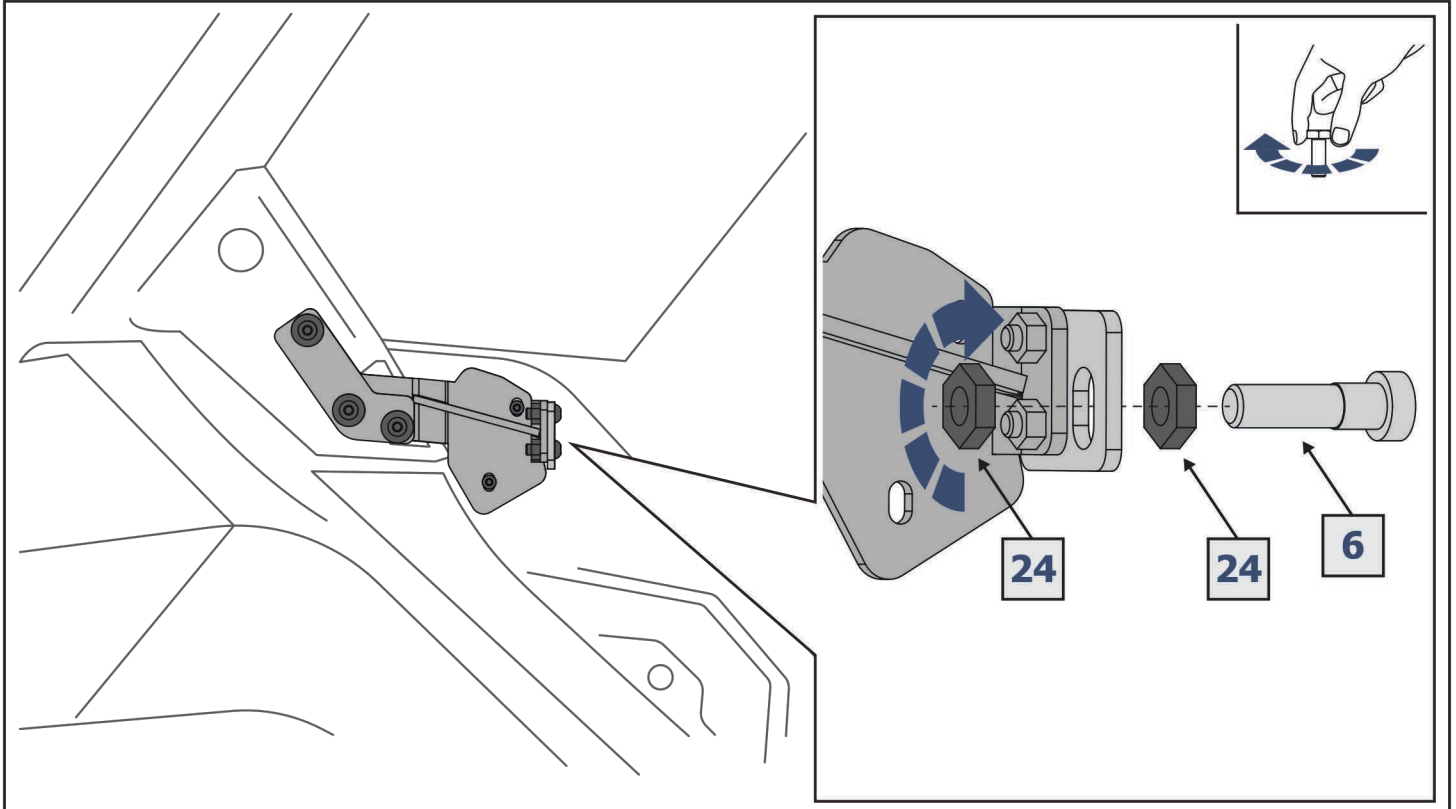


Step 14

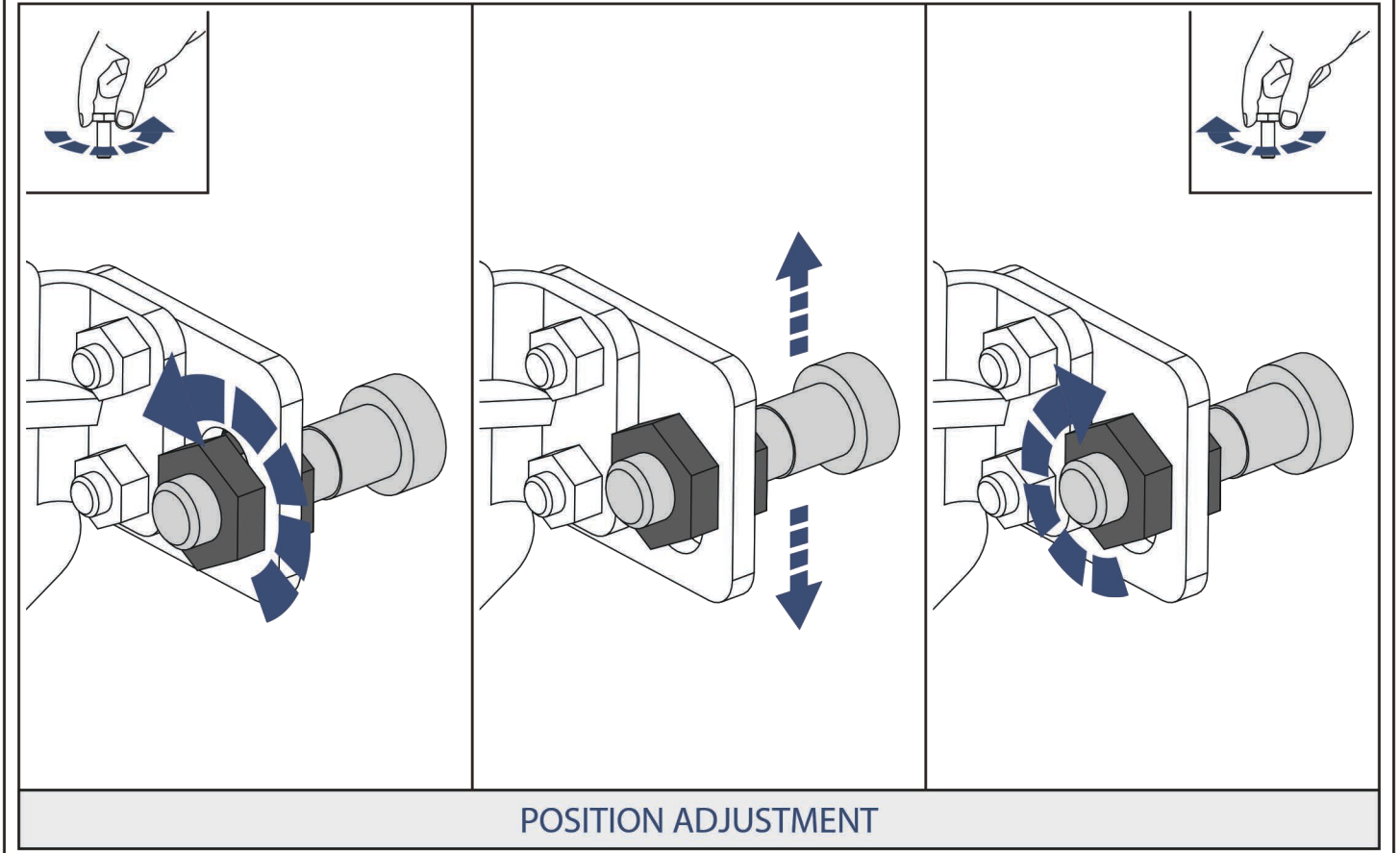


Step 15

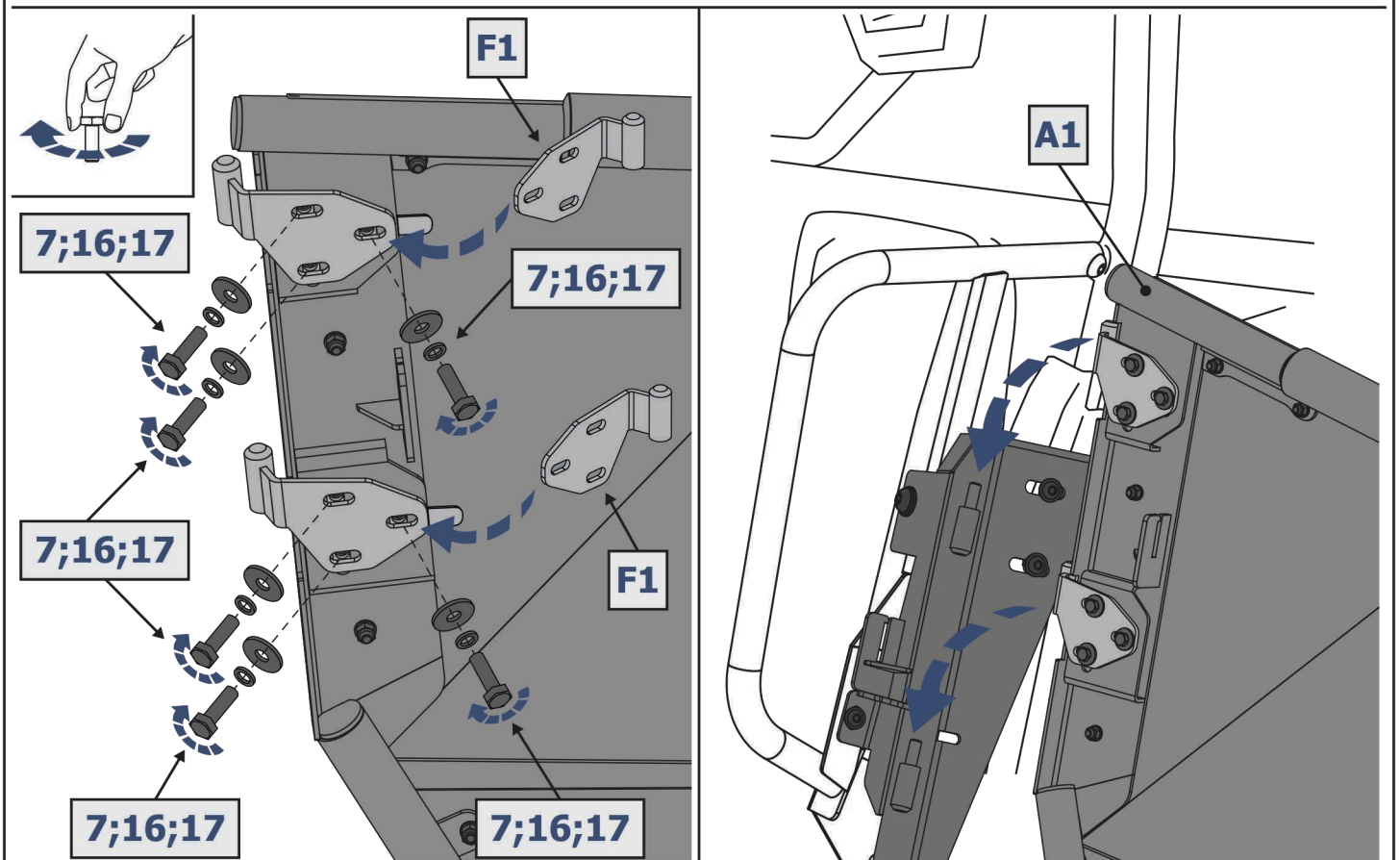
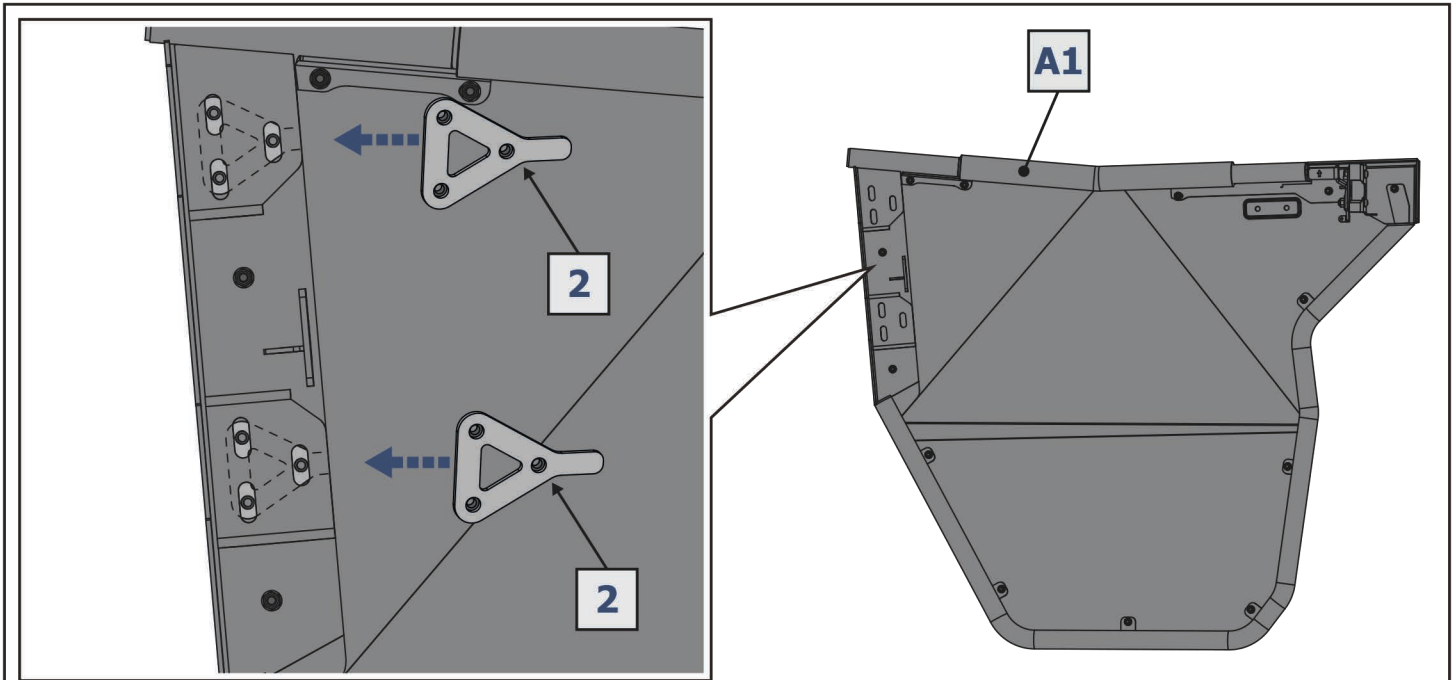




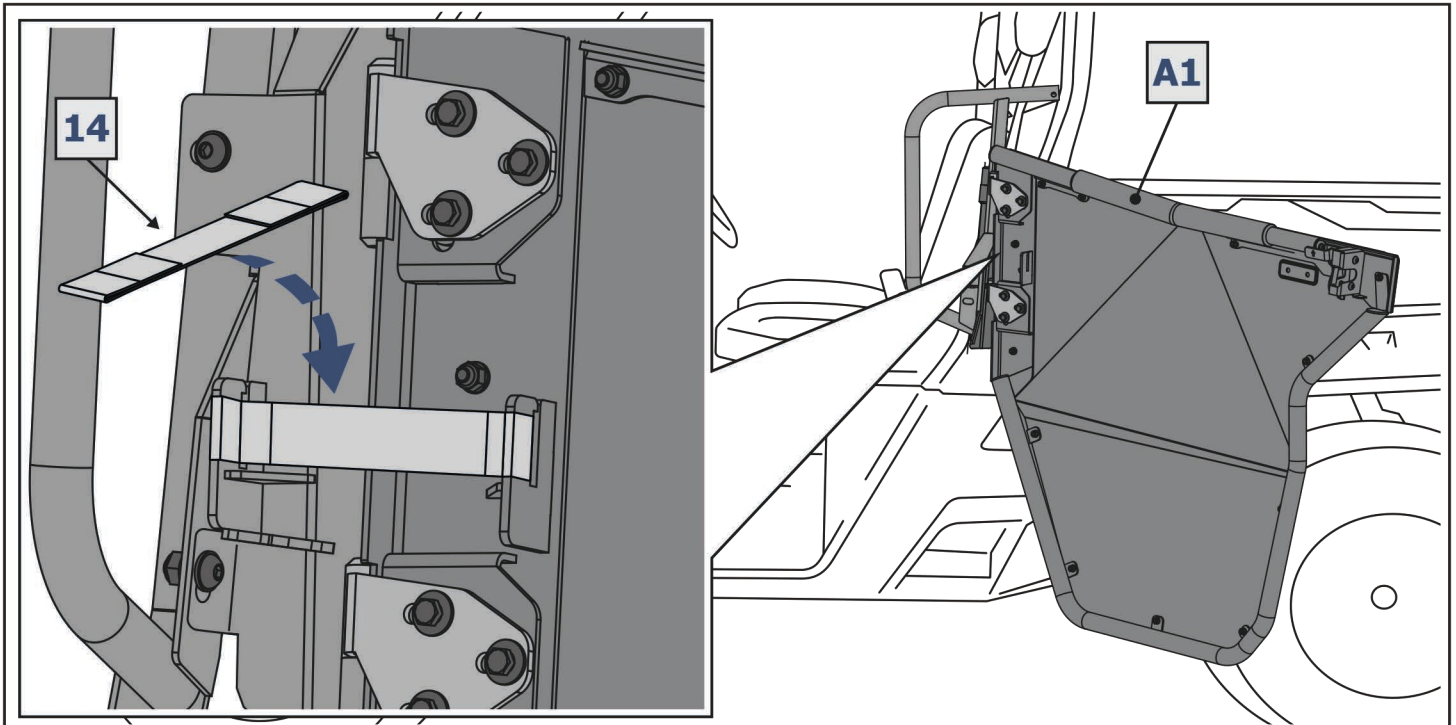
Step 16



POSITION ADJUSTMENT

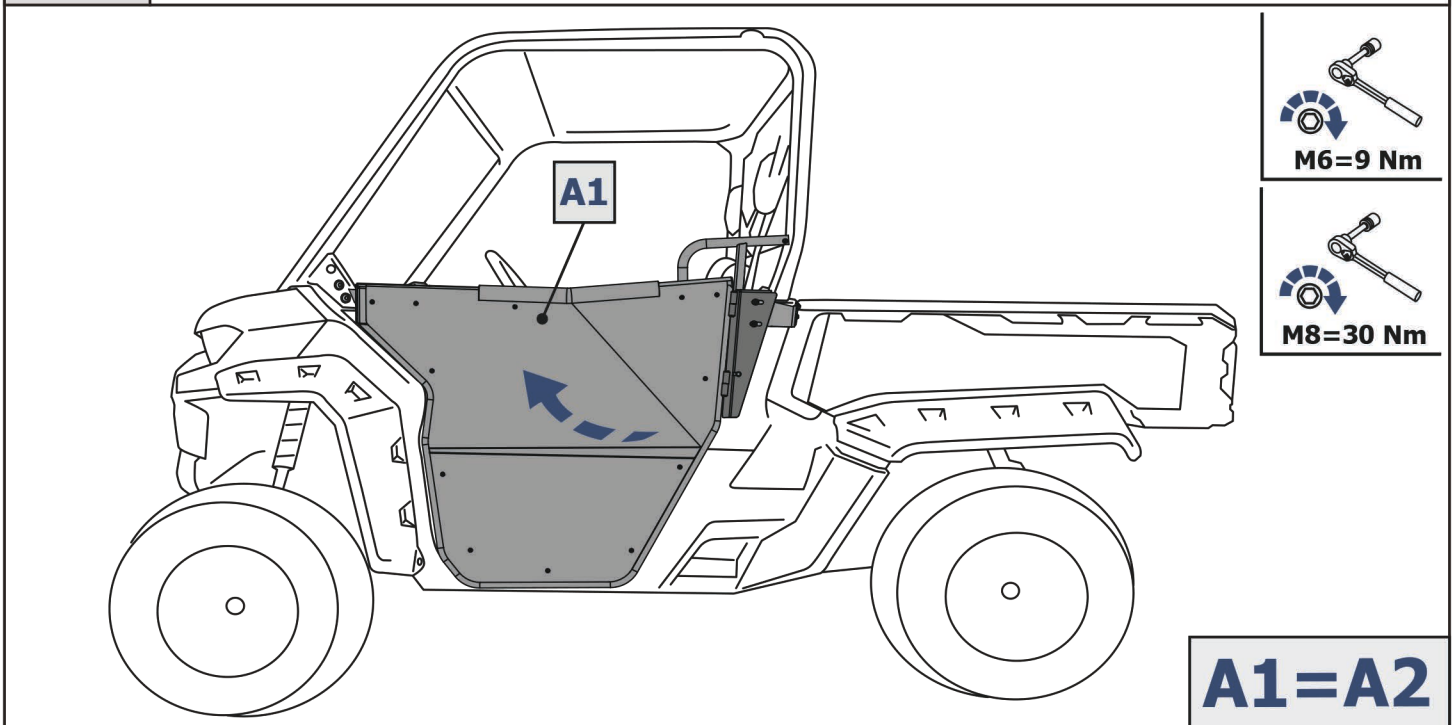


Step 17 Either ask some one to hold the door or rest it down on some on something soft so as not to mark the door. Take the triangle nut #2 and the corresponding #F1 and bolt it though the door frame with part #7,#16, #17. Do this up firm but not tight



Step 17

Now that you have your bracket #C1 installed and your door pin #6 installed while leaving the door hinge bolts firm but not tight mount your door on to the male pins (#B1 and #B2) mounted on the bike. Then go ahead and swing till the latch closes on the door pin. After this tighten your hinge bolts on bracket F1. Then open and close door and confirm that the door is aligned and has a smooth open and closing motion. Go back now and make sure everything is tight.

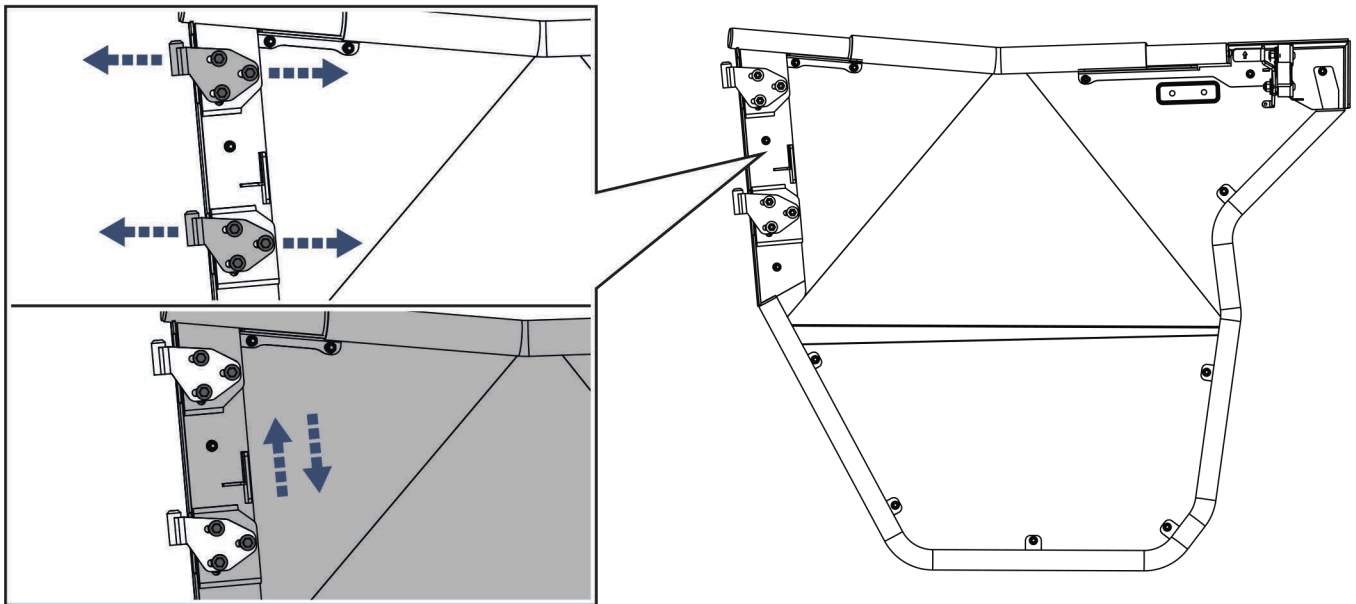



M6=9 Nm


M8=30 Nm

A1=A2

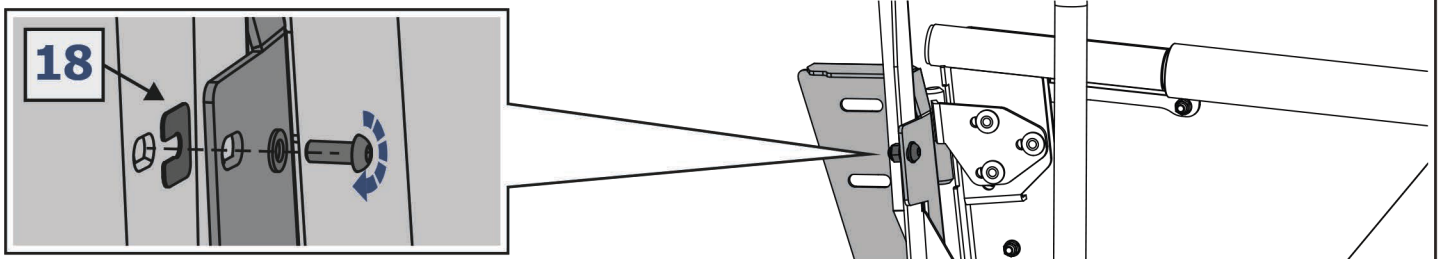
DOOR POSITION ADJUSTMENT



Adjustment
note 1

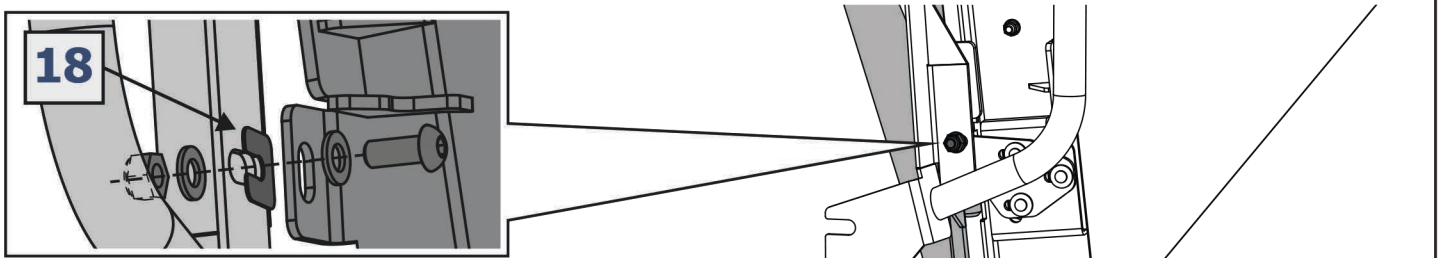
These doors have a lot of adjustment in them. Within these brackets F1 and F2 shown here in a zoom in we have both vertical and horizontal slots. This will also allow a limited amount of rotation both clock wise and anti clock wise.

PACKER INSTALLATION AT BOTH LOCATIONS



Adjustment
note 2

There is a number of packer washers that will allow you to install and gain further adjustment pivoting the door down at the top. Or clock wise if sitting in the vehicle.



Adjustment
note 3

If the door needs to pivot away from the bike at the bottom you can also install the spacer washers in this section.

TIP: PERIODICALLY CHECK ALL HARDWARE AND RE-TIGHTEN IF NEEDED. LUBRICATE THE DOOR LATCH.