

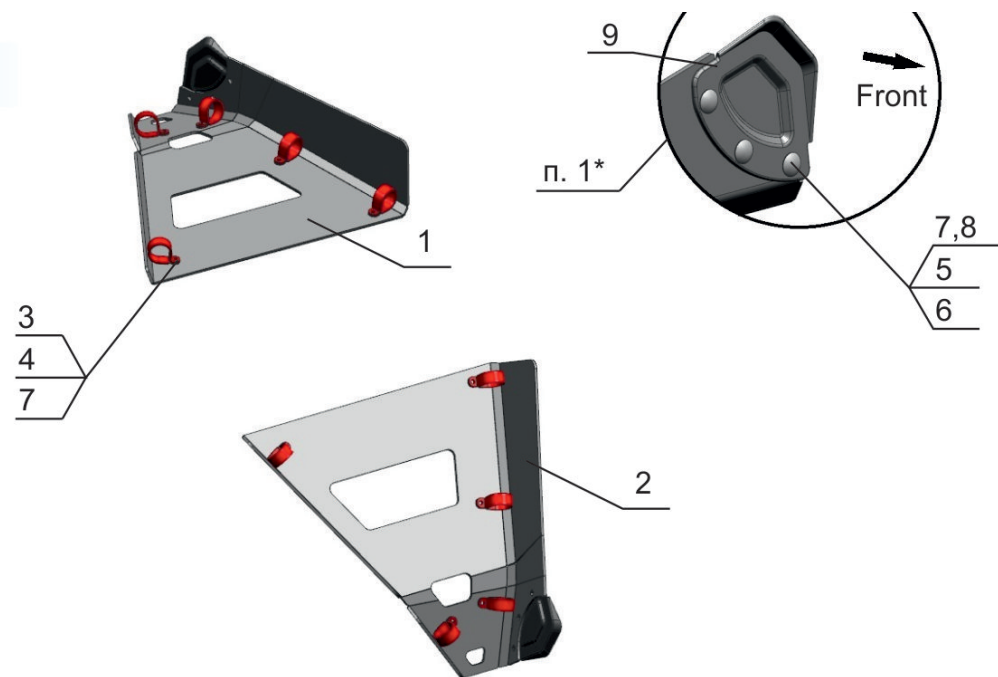
## BRP Can-Am / SSV Maverick X3

**No.:** 2444.7253.1 Front arm guards  
**Brend:** BRP Can-Am  
**Model:** SSV Maverick X3, X3 MAX\_TURBO,  
 TURBO R, X DS TURBO R (Standard MAX)  
**Year:** 2017-  
**Material:** Al - 4 mm



### Content

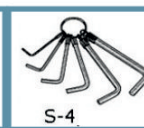
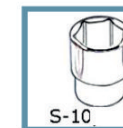
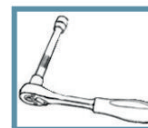
1. Left arm guard.....	1 pc.
2. Right arm guard.....	1 pc.
3. Rubberized clamp D32.....	10 pc.
4. Screw M6x30.....	10 pc.
5. Round-head bolt.....	6 pc.
6. Nut M6.....	16 pc.
7. Washer 6.....	16 pc.
8. Spring washer 6.....	16 pc.
9. CV joint guards.....	2 pc.



## Installation Instructions

1. Fix CV joint guards no.9 to arm guards no.1, no.2 using bolts no.5, washers no.7, no.8 and nuts no.6. Fix front arm guards no.1, no.2 to rubberized clamps no.3 using screws no.4, washers no.7, nuts no.6.
2. Tighten all screws.

### TOOLS REQUIRED



### TOOLS REQUIRED

