

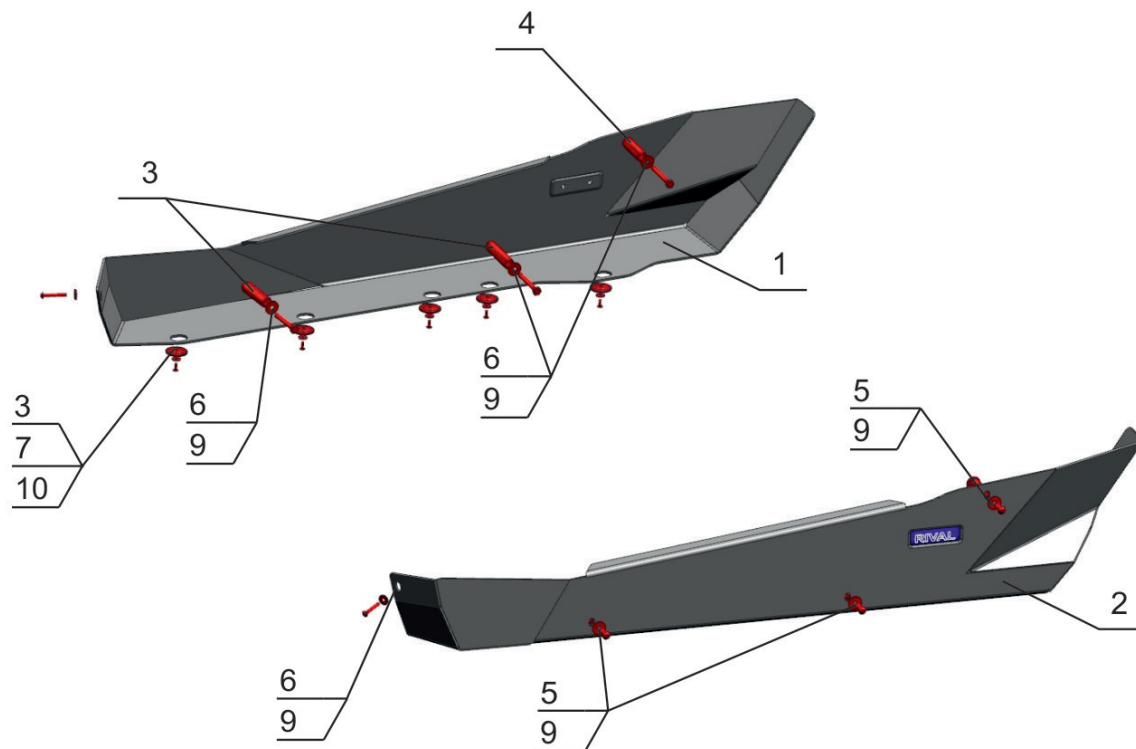
BRP Can-Am / Maverick X3

No.: 2444.7251.1
Brend: BRP Can-Am
Model: Maverick X3
Year: 2017-
Material: Al - 4 mm



Content

1. Right side rock sliders.....	1 pc
2. Left side rock sliders.....	1 pc
3. Spacer h-72.....	4 pc
4. Spacer h-58.....	2 pc
5. Breakstem rivet 4.8x25.....	10 pc
6. Bolt M8x60.....	6 pc
7. Screw M6x40.....	2 pc
8. Screw M8x25.....	6 pc
9. Washer 5.....	10 pc
10. Washer 6.....	2 pc
11. Washer 8.....	12 pc
12. Countersunk washer.....	10 pc



Installation Instructions

1. Unscrew the original screws from outside the arches. Drill out the original rivets in the mounting places of the rock sliders. Place the rock sliders above plastic and then mark the fixing points, drill holes \varnothing 20mm in plastic.
2. Mount spacers no.3, 4 into drilled holes in plastic and then fix them using bolts no.6 and washers no.11. Fix rock sliders no.1, 2 to mounted spacers using screws no.8 and washers no.11. From bottom unriver breakstem rivet 4.8x25 no.5 through washers no.9, 12 to original apertures. Fix the rock sliders to original threaded apertures of the arches using screws no.7, washers no.10.
3. Tighten all screws.

TOOLS REQUIRED



TOOLS REQUIRED

