

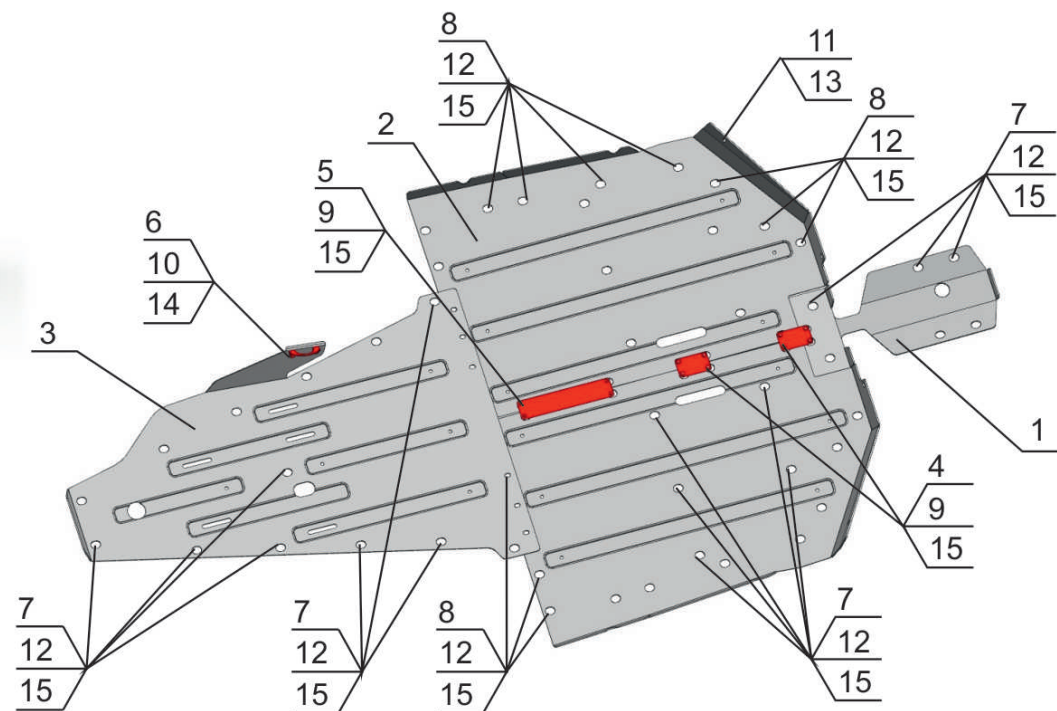
## BRP Can-Am / Maverick X3

**Part No.:** 2444.7250.1  
**Brand:** BRP Can-Am  
**Model:** Maverick X3 Turbo, Turbo R, X DS Turbo R  
**Year:** 2017-  
**Material:** Al - 4 mm



## Content

1. Plate 1.....	1 pc.	14. Washer 8.....	2 pc.
2. Plate 2.....	2 pc.	15. Countersunk washer.....	65 pc.
3. Plate 3.....	1 pc.		
4. Bracket.....	2 pc.		
5. Bracket.....	1 pc.		
6. Bracket.....	1 pc.		
7. Breakstem rivet 4.8x14.....	29 pc.		
8. Breakstem rivet 4.8x19.....	24 pc.		
9. Bolt M6x20.....	12 pc.		
10. Bolt M8x25.....	2 pc.		
11. Screw M6X30.....	2 pc.		
12. Washer 5.....	53 pc.		
13. Washer 6.....	2 pc.		



## Installation Instructions

1. Drill the original rivets. Remove original plastic skid plate.
2. Fix brackets no.4, no.5 to one of the plates no.2 using bolts no.9 and washers no.15.  
**ATTENTION.** In case of mounting rock sliders 2444.7251.1, it needs to fix the bushes from rock sliders fitting kit to the vehicle frame firstly.
3. Mount plates no.1, 2, 3 to original apertures using 2 or 3 breakstem rivets no.7, 8 and washers no.12, 15 for each plate, do not unrevet them. Adjust the positions of the plates and then unrevet the fittings.

4. Fix plates no.2 with each other using brackets no.4, 5, bolts no.9 and washers no.15. Fix plates no.2 to the arches using screws no.11 and washers no.13
5. Fix bracket no.6 using bolts no.10 and washers no.14
6. Tighten all screws.

# Content

## TOOLS REQUIRED



S-10, S-13

S-4

## SCREW FORCE



M6-10 Nm

M8-30 Nm

M10-50 Nm

## FRONT REDUCER GUARD

1



Plate 1  
x 1 pc.

Bolt M6x20 - 2 pc.  
Breakstem rivet 4.8x14 - 6 pc.  
Washer 5 - 6 pc.  
Countersunk washer - 8 pc.

## ENGINE BLOCK GUARD

2



Plate 2  
x 2 pc.

4



Bracket  
x 2 pc.

5



Bracket  
x 1 pc.

Bolt M6x20 - 10 pc.  
Screw M6x30 - 2 pc.  
Breakstem rivet 4.8x14 - 10 pc.  
Breakstem rivet 4.8x19 - 24 pc.  
Washer 5 - 34 pc.  
Washer 6 - 2 pc.  
Countersunk washer - 44 pc.

## BACK REDUCER GUARD

3



Plate 3  
x 1 pc.

6



Bracket  
x 1 pc.

Bolt M8x25 - 2 pc.  
Breakstem rivet 4.8x14 - 13 pc.  
Washer 5 - 13 pc.  
Washer 8 - 2 pc.  
Countersunk washer - 13 pc.