

Radiator relocation kit for Can-am Outlander G2

Part No: 2444.7241.1
Brand: Can-am
Model: Outlander
Year: G2, 2012-
Material: Aluminum 4 MM



SAFETY NOTICE

- * These kits are made to be used only in conditions specified by the manufacturer of the machine.
- * Do not operate the vehicle with damaged kits or their components.
- * Do not use the kits if the fasteners are loose.
- * User must regularly check and make sure that there is no damage to the fasteners/brackets, and make sure that the bolts did not become loose.

INSTALLATION NOTICE

- * Please follow these instructions carefully, professional installation highly recommended
- * Must use protective gear during installation
- * For safety reasons the kits cannot be installed on models not specified above.

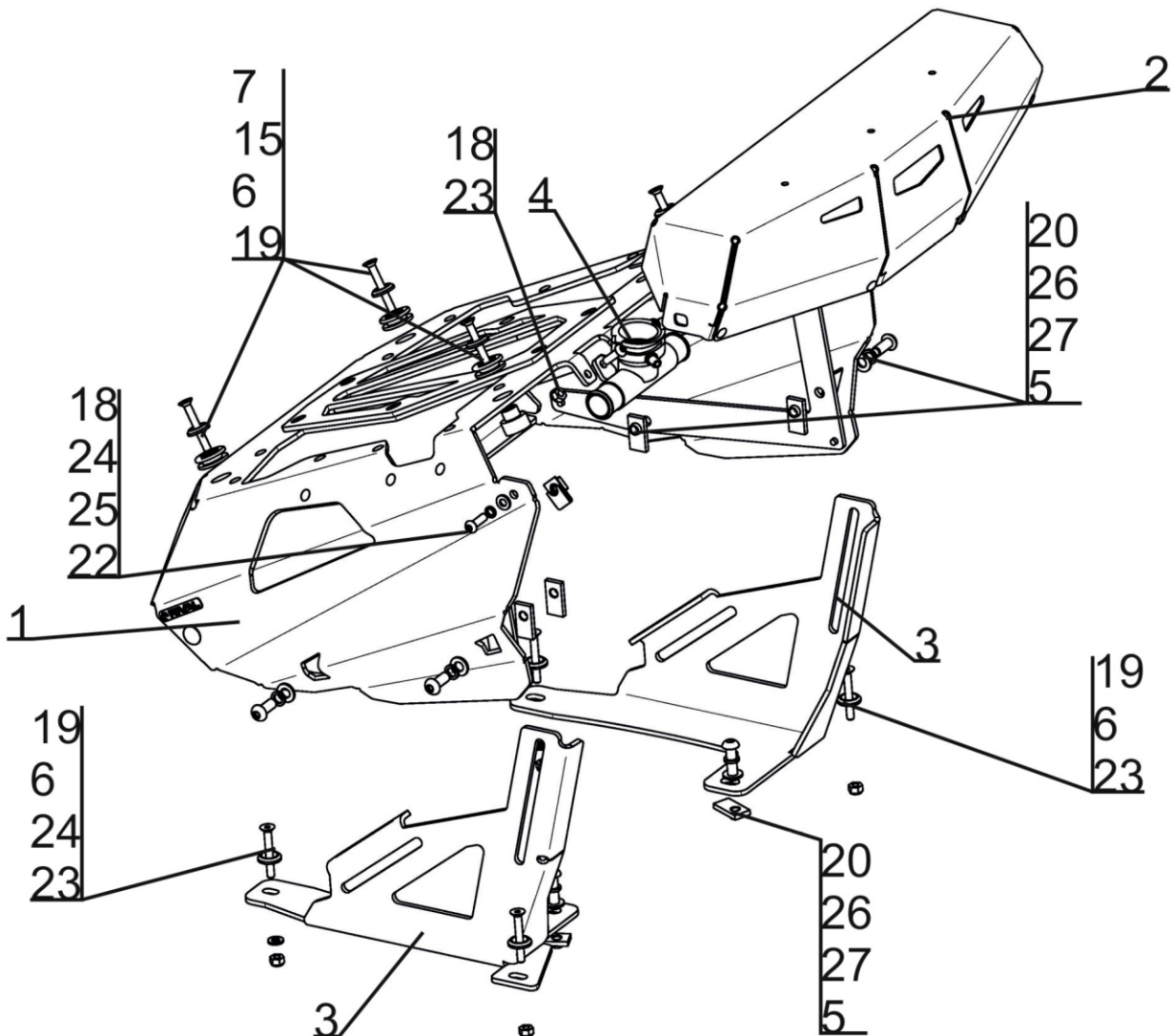
REQUIRED TOOLS

- * Set of sockets and wrenches
- * Set of hex-nut wrenches
- * Pistons puller tool
- * Torque wrench
- * Silicon or polyurethane sealant

TORQUE SETTING

- * M6 - 9 H·m, * M8 - 30 H·m

1. Body of radiator relocation kit.....	1 pc.	18. Screw 6x20.....	4 pc.
2. Rear plate.....	1 pc.	19. Screw 6x45.....	8 pc.
3. Bracket.....	2 pc.	20. Screw 8x30.....	6 pc.
4. Tee with neck.....	1 pc.	21. Screw 8x50.....	1 pc.
5. Insert nut M8.....	6 pc.	22. Cage nut M6.....	6 pc.
6. Special washer 6.....	8 pc.	23. Self-locking nut M6.....	6 pc.
7. Hub.....	4 pc.	24. Washer 6.....	4 pc.
8. Cap connector.....	1 pc.	25. Spring washer 6.....	2 cp.
9. Angle pipe.....	2 pc.	26. Washer 8.....	6 pc.
10. Expansion tank cover.....	1 pc.	27. Spring washer 6.....	6 pc.
11. Worm clamp 20-32.....	10 pc.		
12. Worm clamp 8-12.....	2 pc.		
13. Zip tie.....	5 pc.		
14. Rubber hub of cap connector.....	2 pc.		
15. Rubber hub of body of relocation kit	4 pc.		
16. Hose d25.....	1 pc.		
17. Hose d7.....	1 pc.		

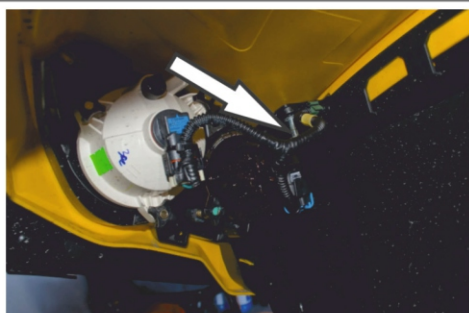




1. Remove plastic wing flaps from the both sides. Remove the seat, plastic sheet plate on the air filter, and plastic sheet plate on the dashboard. Plastic panels are at both sides of the seat. To dismount pistons, use of the special piston puller tool is recommended.



2. Remove the front bumper. Screw out 4 screws indicated with arrows. To make removing of lower screws convenient, remove the winch hawse pipe.



3. Remove the front luggage boot. Screw out the screws indicated with arrows from the both sides.

	<p>16. Fix all branch pipes with worm clamps 20-32 item 11. Fix branch pipes and wiring elements with plastic zip ties item 13 to prevent abrasion thereof. Re-install all previously removed plastic elements of jacketing. Fill in the coolant into the system in accordance with recommendations of the manufacturer's plant.</p>