

EN INSTALLATION MANUAL FRONT BUMPER

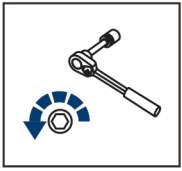
DE MONTAGEEINLEITUNG FÜR STOBFÄNGER-KIT



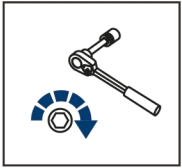
For: Yamaha Wolverine RMAX 1000 (2021-2022)

2444.7178.1





EN Regular fasteners
DE Originale montageteile



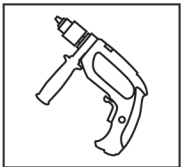
EN Regular fasteners
DE Originale montageteile



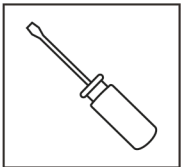
EN Screw a several turns
DE Für wenigen Umdrehungen befestigen



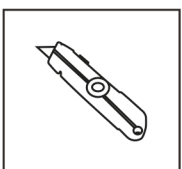
EN Loosen bolts
DE Bolzen lockern



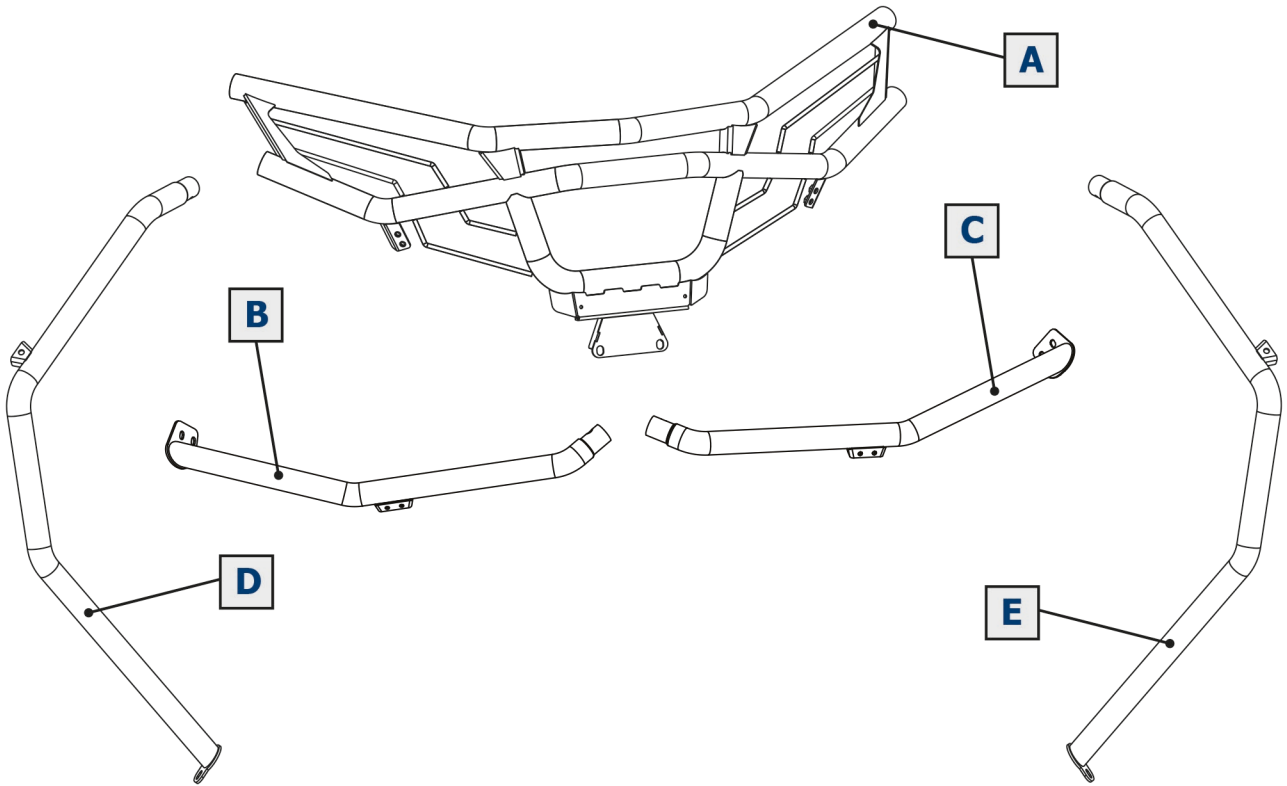
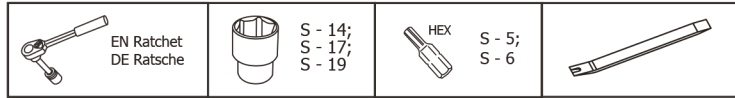
EN Drill
DE Bohrer

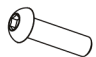
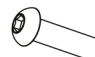
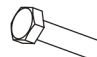
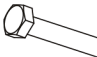






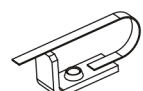


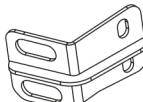
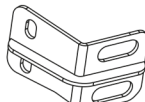

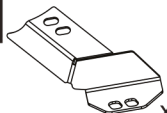
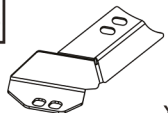






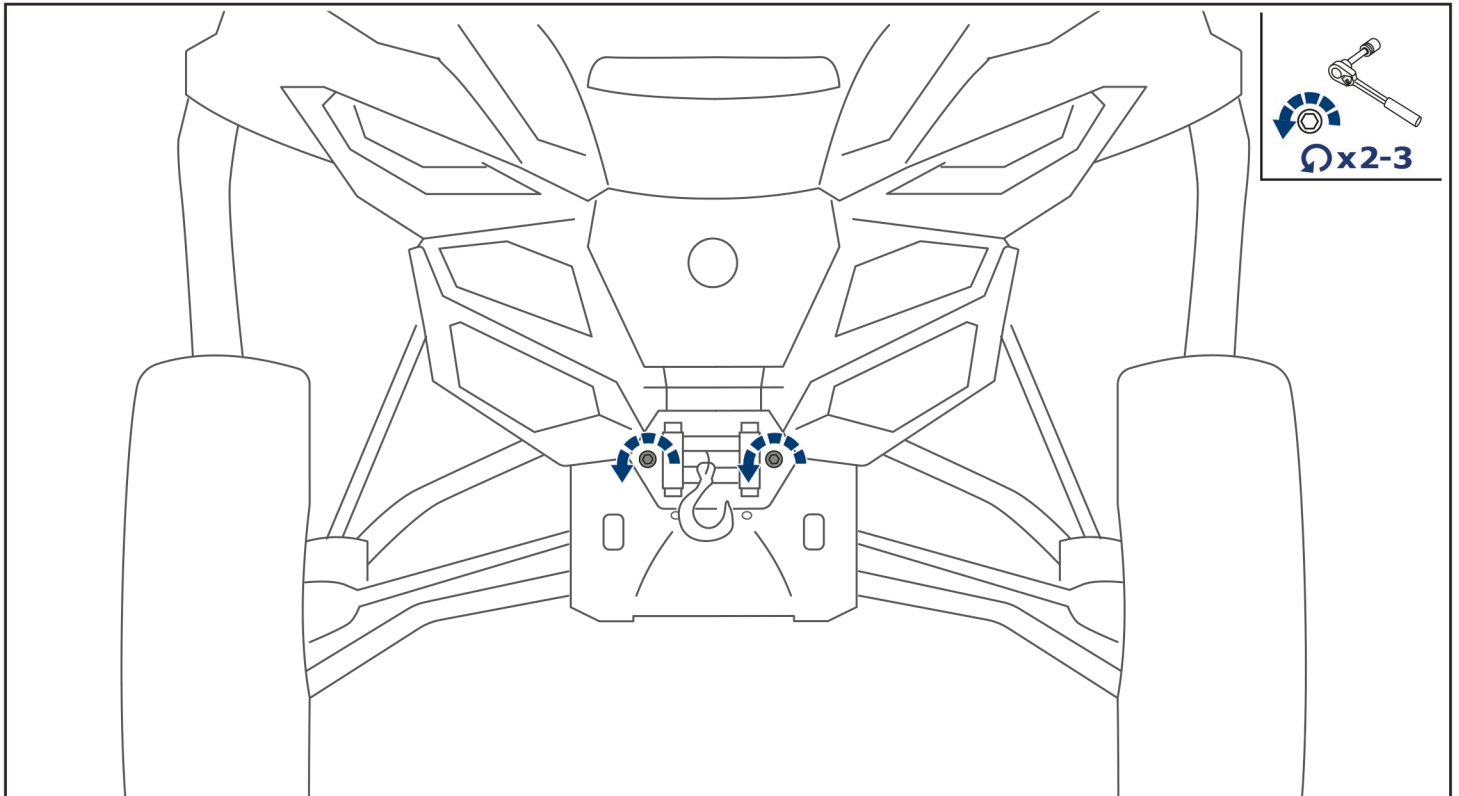
EN Screwdriver
DE Schraubenzieher



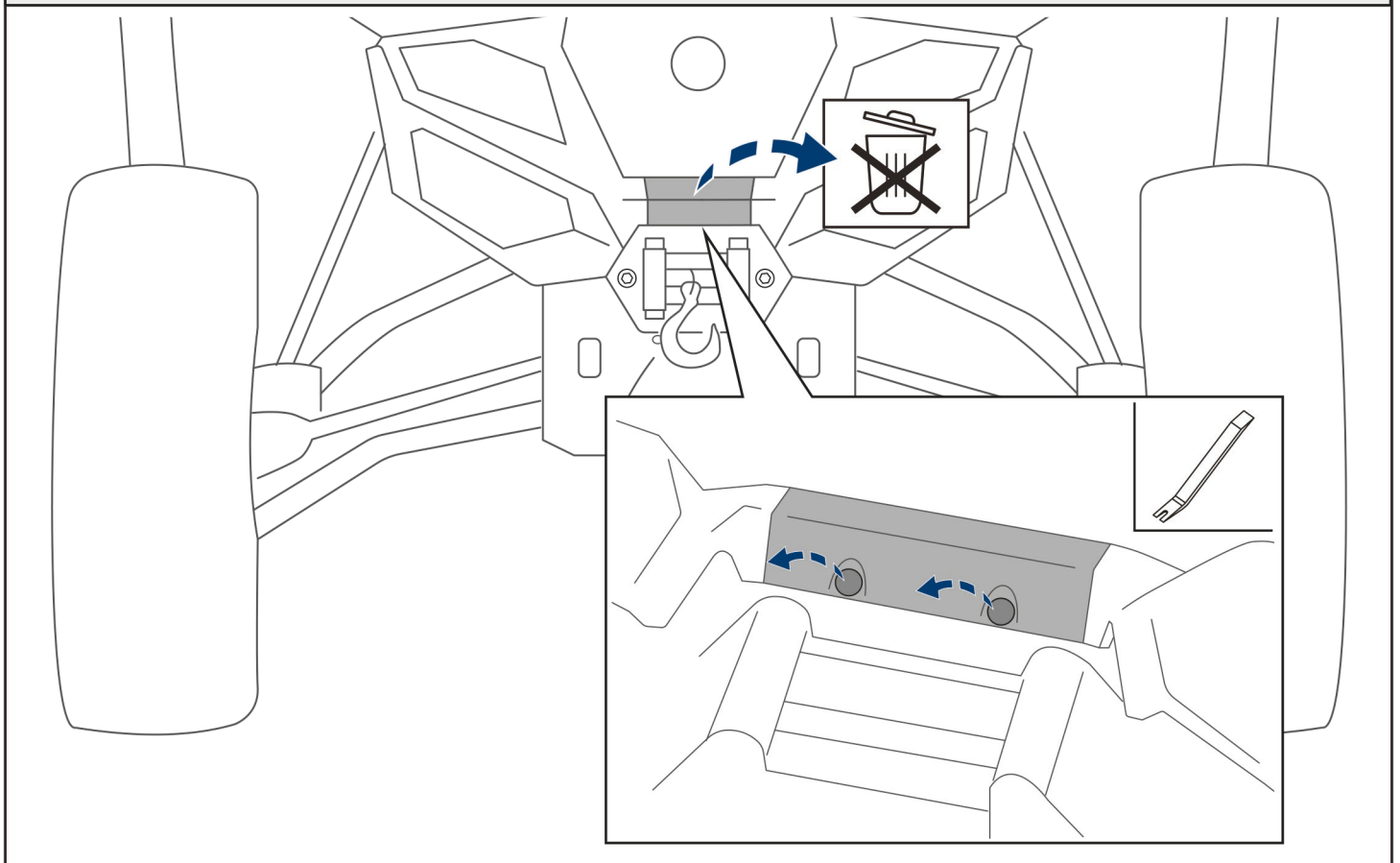
EN Office Knife
DE Büromesser

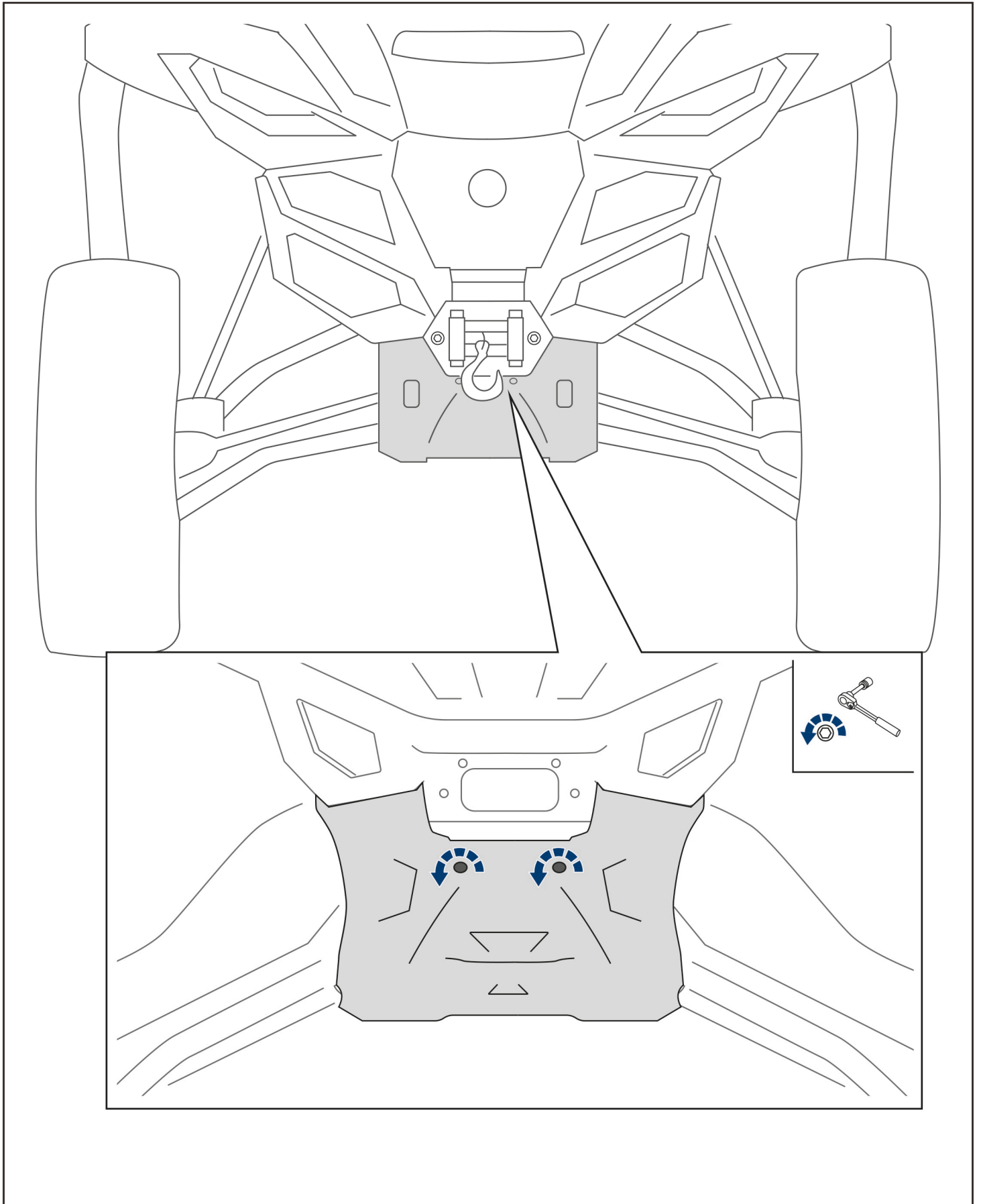


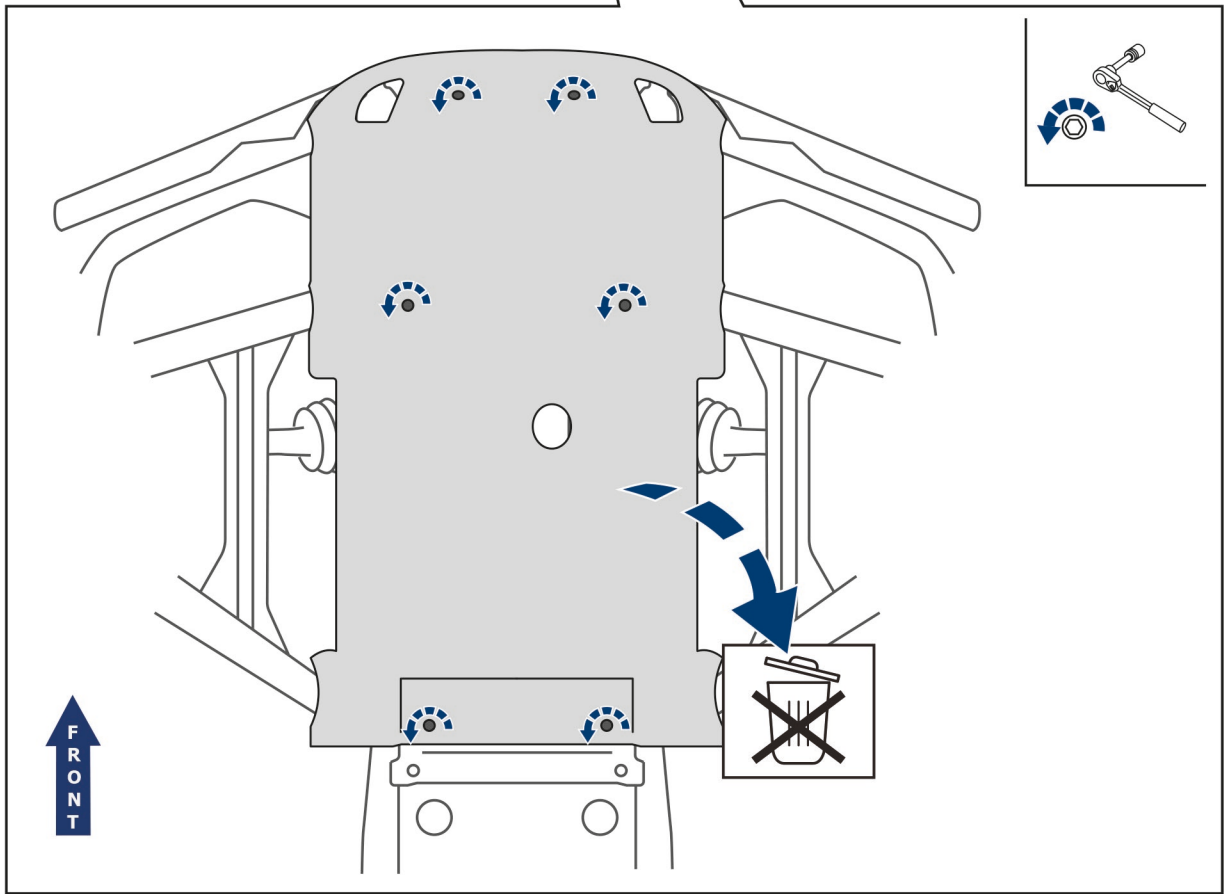
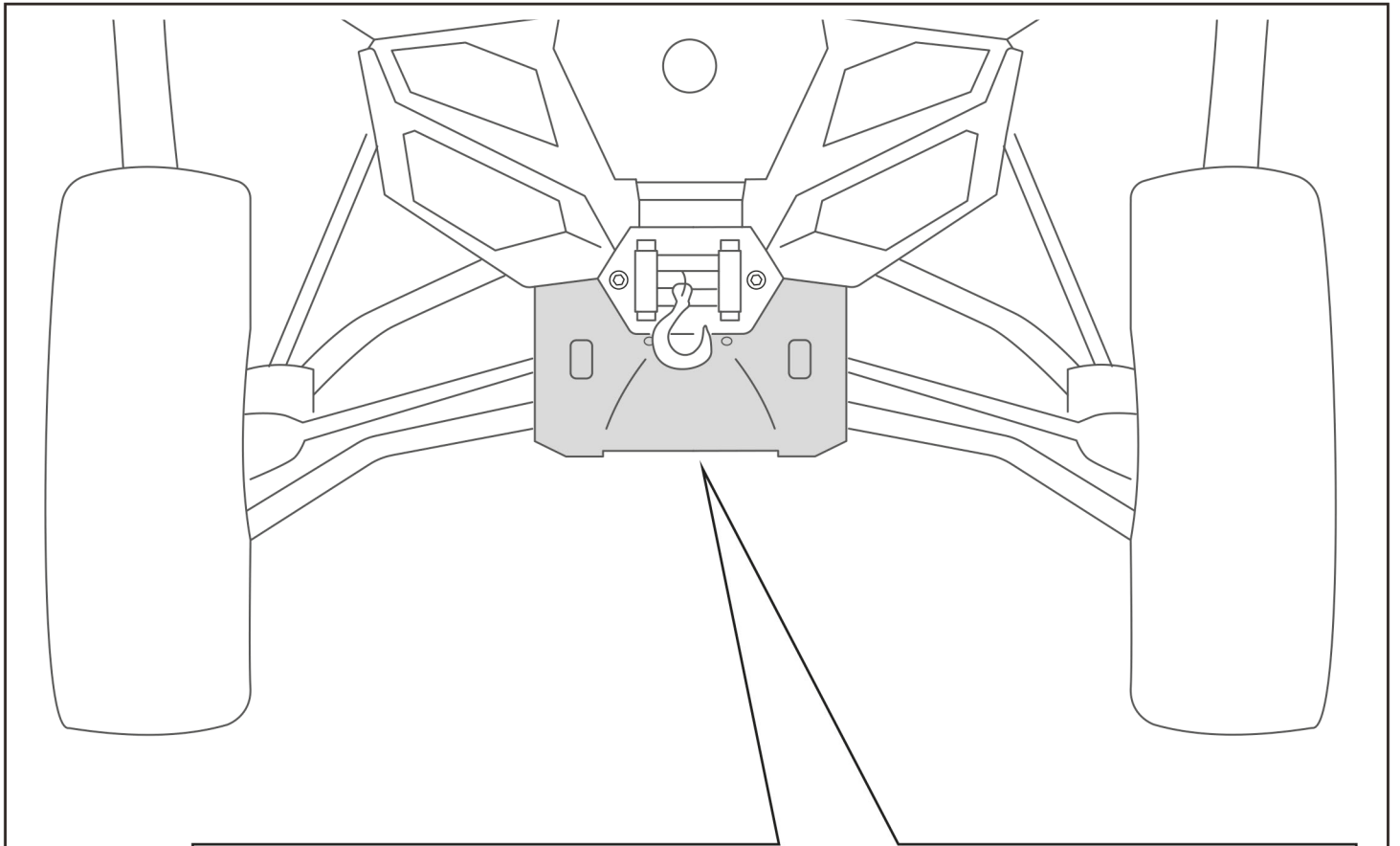
1  M6x16 x8	2  M8x20 x16	3  M10x30 x2	4  M12x60 x4	5  M10 x2	6  M12 x4
7  ø6 x4	8  ø8 x12	9  ø10 x2	10  ø12 x8	11  M6 x4	12  ø12 x4
13  M8 x4	14  x1	15  x1	16  x2	17  x1	18  x1
19  x2	20  ø8 x4	21  ø6 x4	22  ø8 x4		

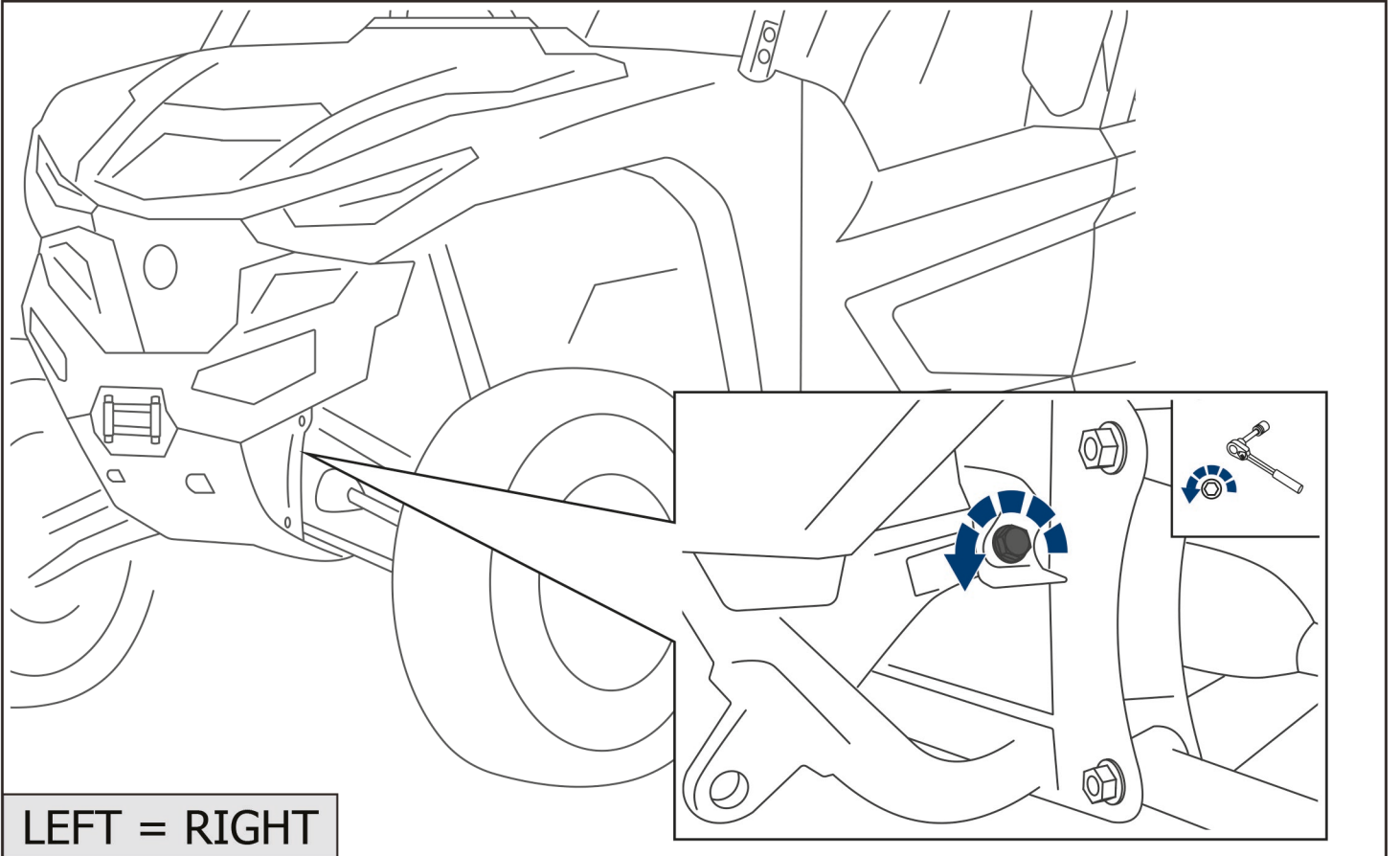


REMOVE FRONT PLASTIC SKID PLATE AND WINCH ROLLER FAIR LEAD IF INSTALLED BUT KEEP AS WE WILL RE INSTALL LATER

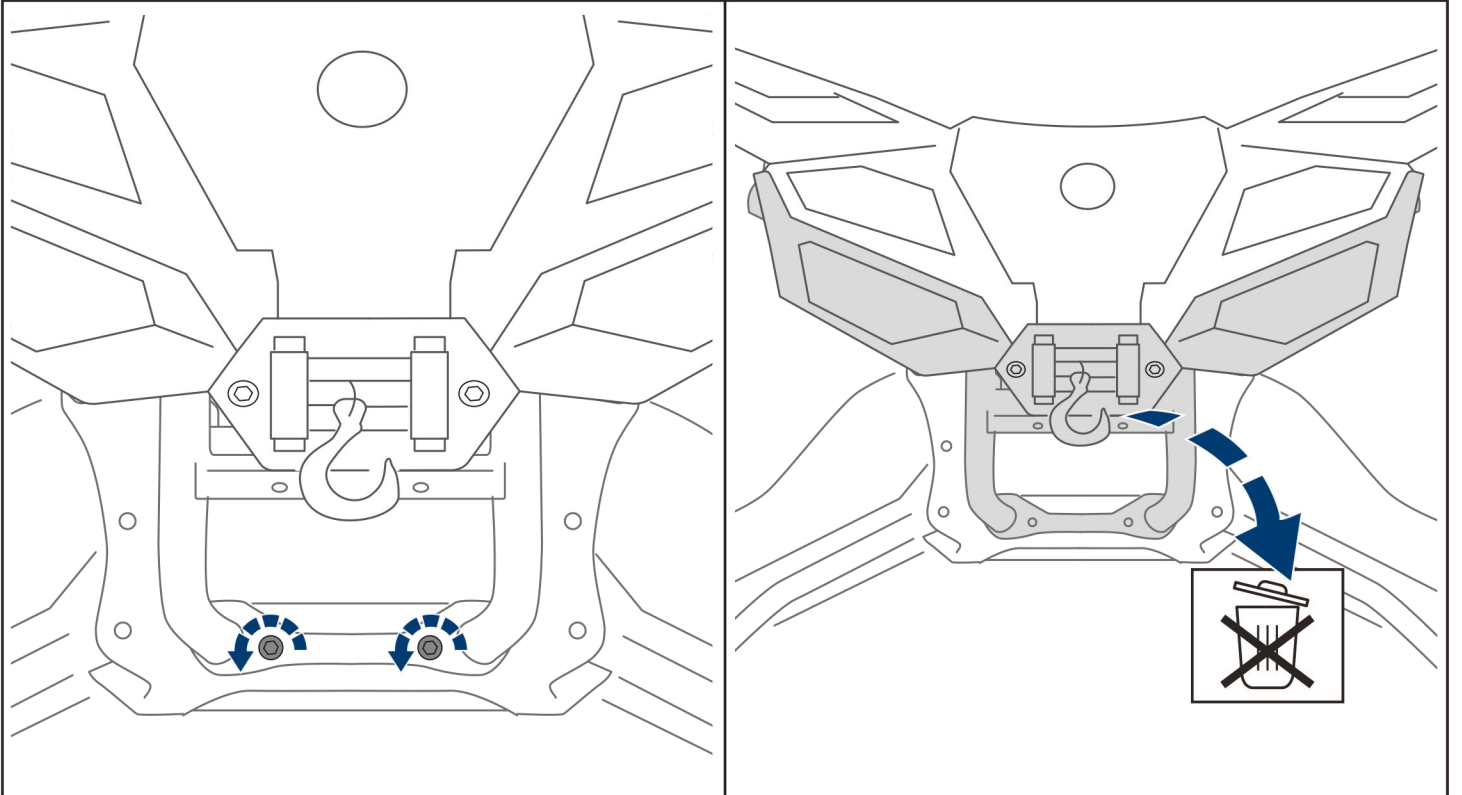




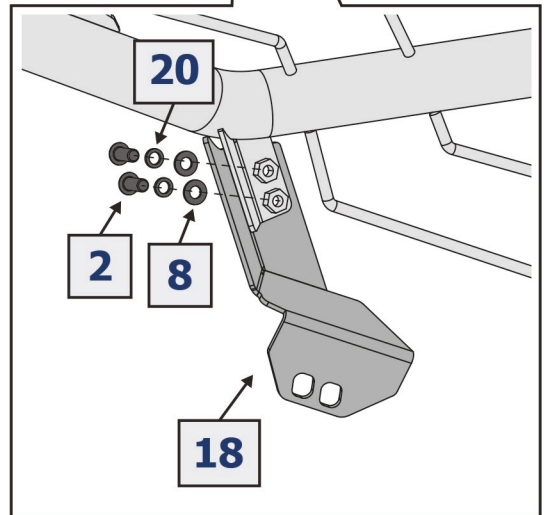
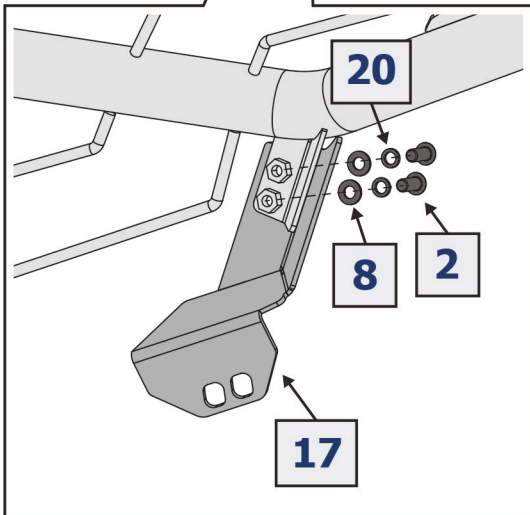
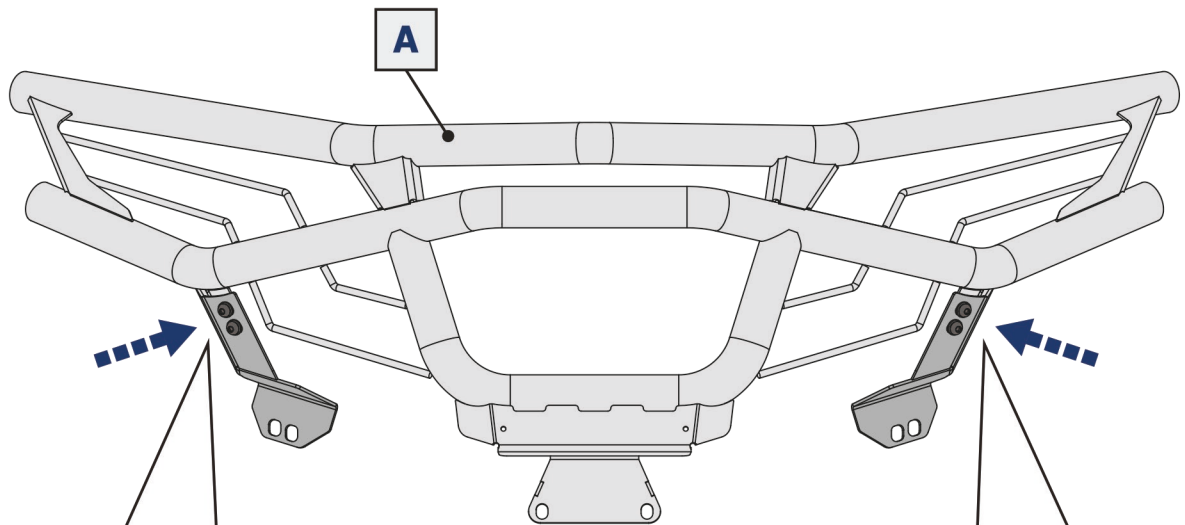




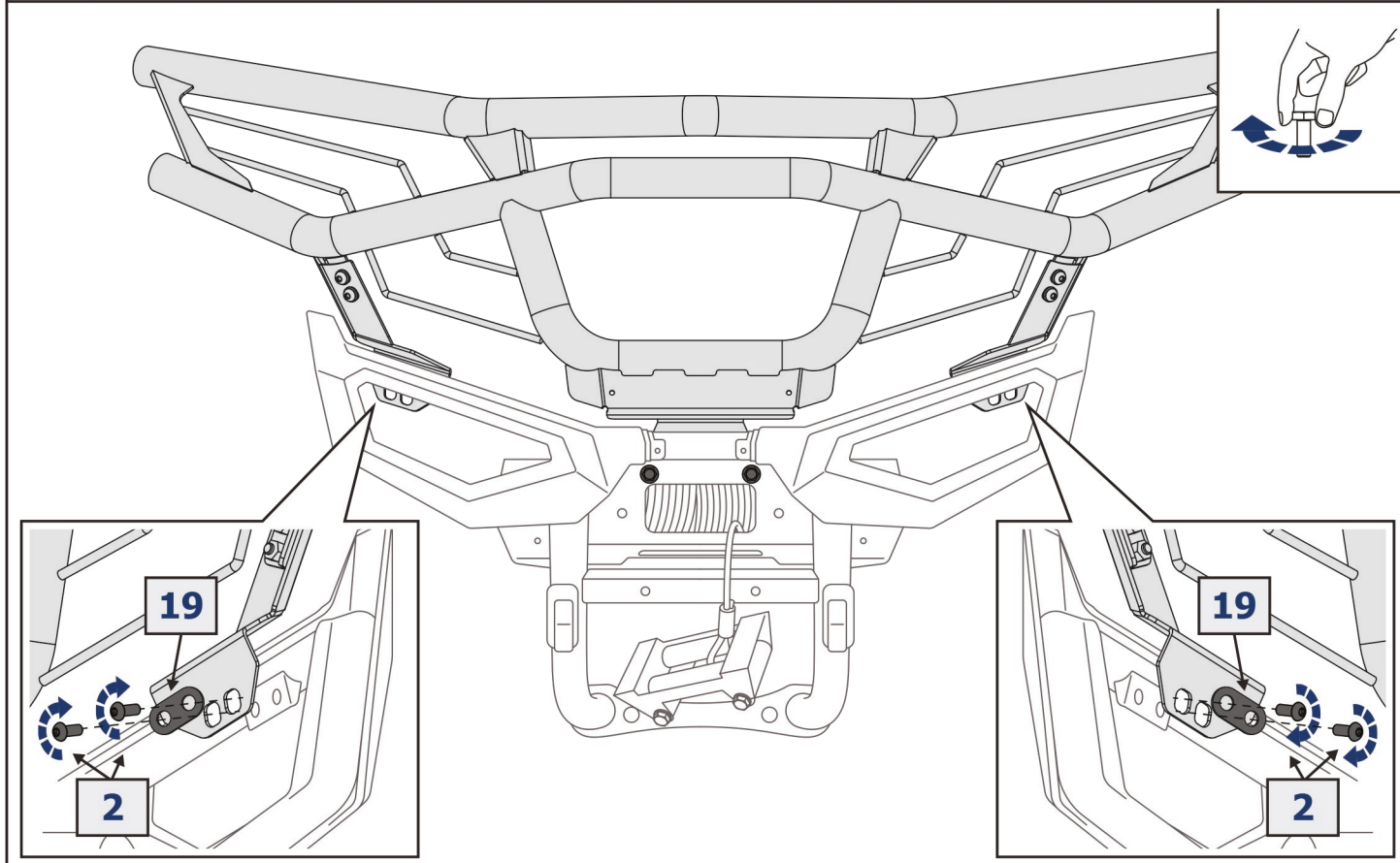
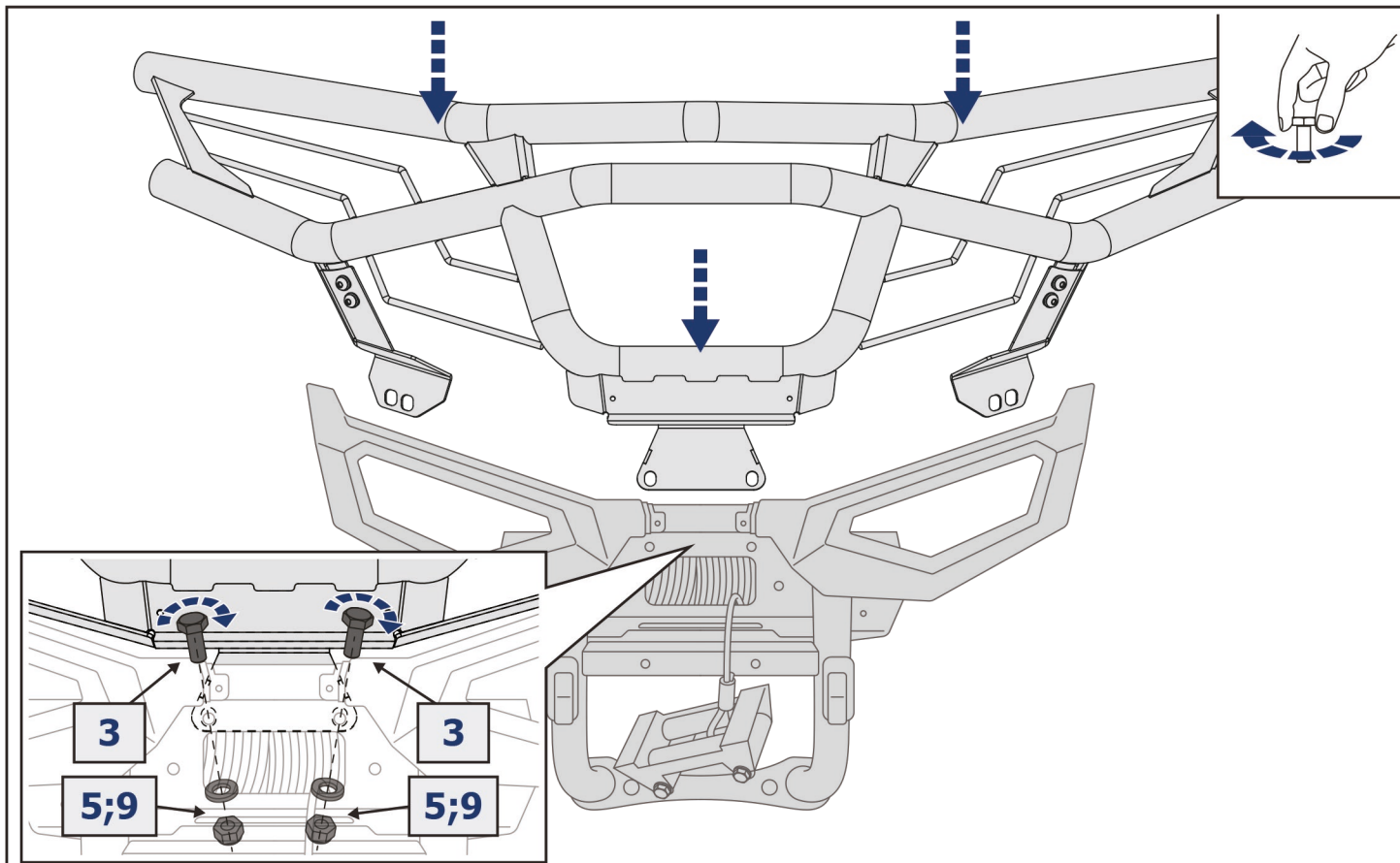
LEFT = RIGHT

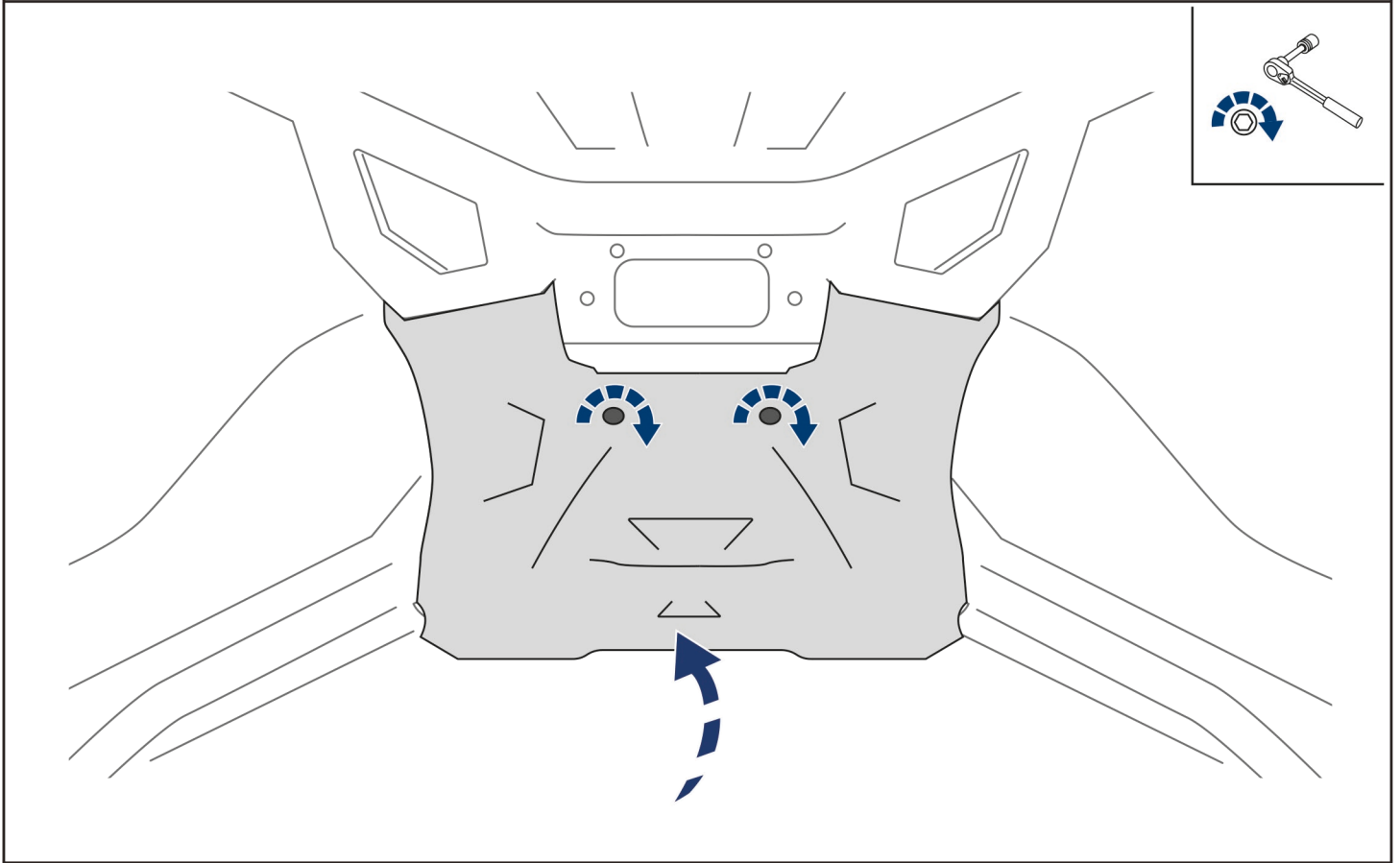
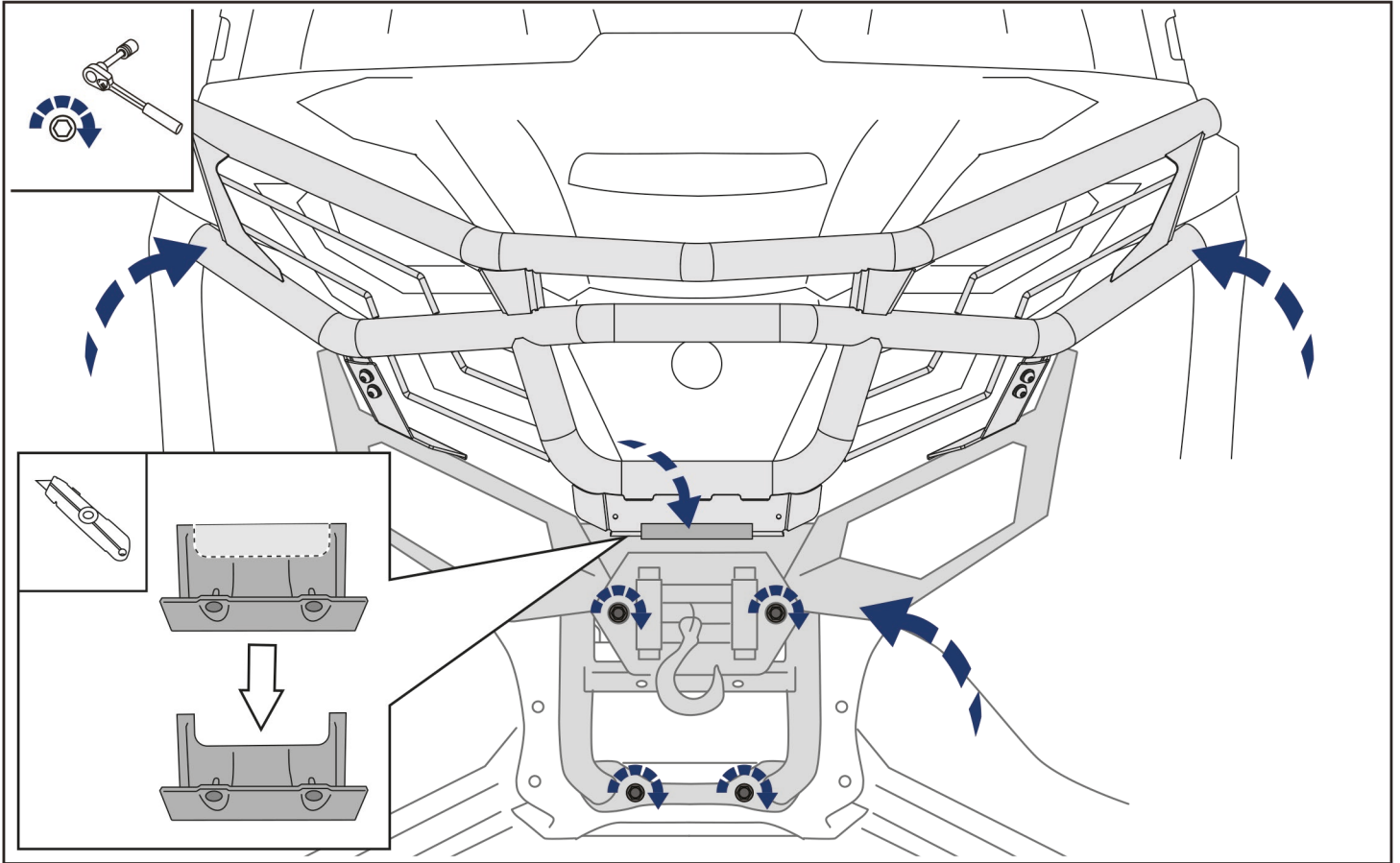


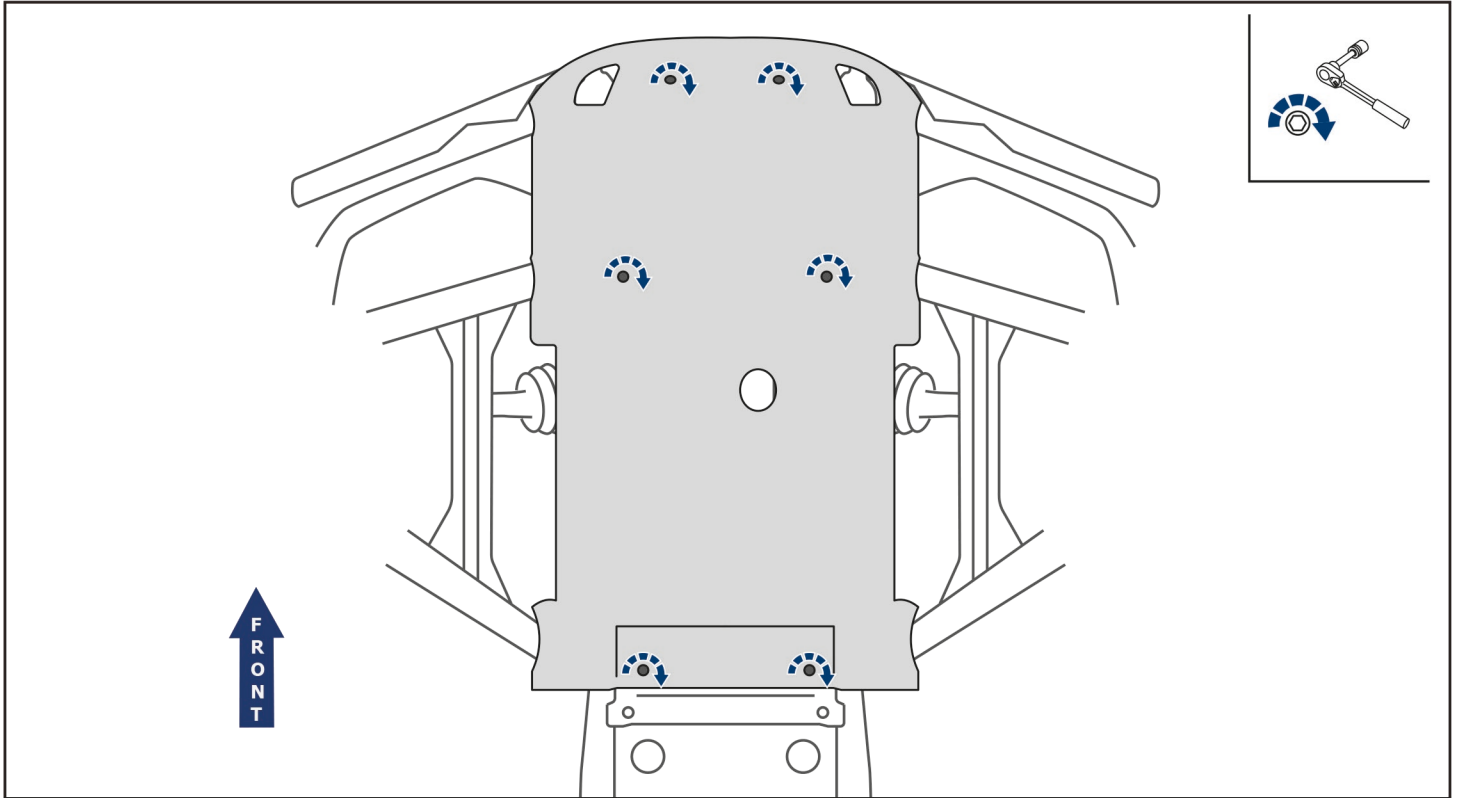
REMOVE STANDARD BUMPER BUT KEEP ALL BOLTS AS WE WILL RE INSTALL FRONT BUMPER AGAIN LATER



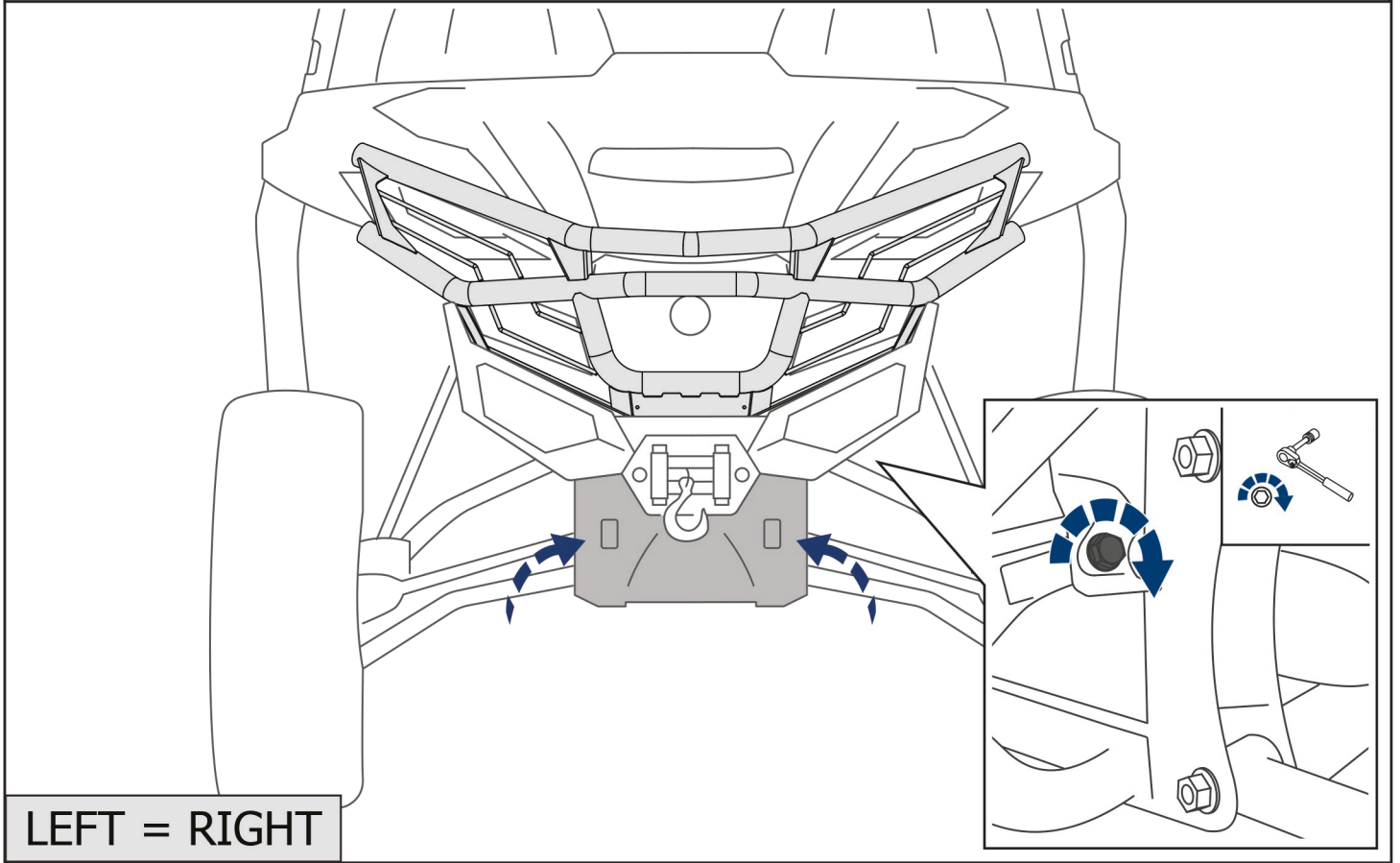
AFTER INSTALLING BRACKETS 17 AND 18 ONTO THE FRONT BUMPER
THEN RE INSTALL RIVAL BUMPER ON TOP OF THE STANDARD BUMPER







RE INSTALL FRONT BUMPER AND FRONT PLASTIC SKID PLATE ONTO THE BIKE



LEFT = RIGHT

