

EN INSTALLATION MANUAL FRONT BUMPER

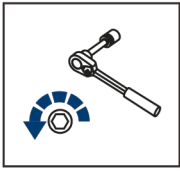
DE MONTAGEEINLEITUNG FÜR STOBFÄNGER-KIT



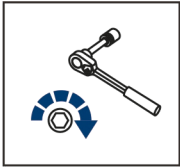
For: Yamaha Wolverine RMAX 1000 (2021-2022)

2444.7177.1





EN Regular fasteners
DE Originale montageteile



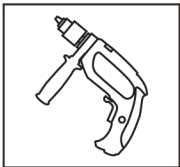
EN Regular fasteners
DE Originale montageteile



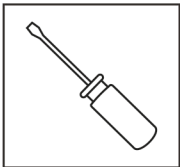
EN Screw a several turns
DE Für wenigen Umdrehungen befestigen



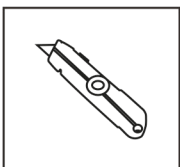
EN Loosen bolts
DE Bolzen lockern



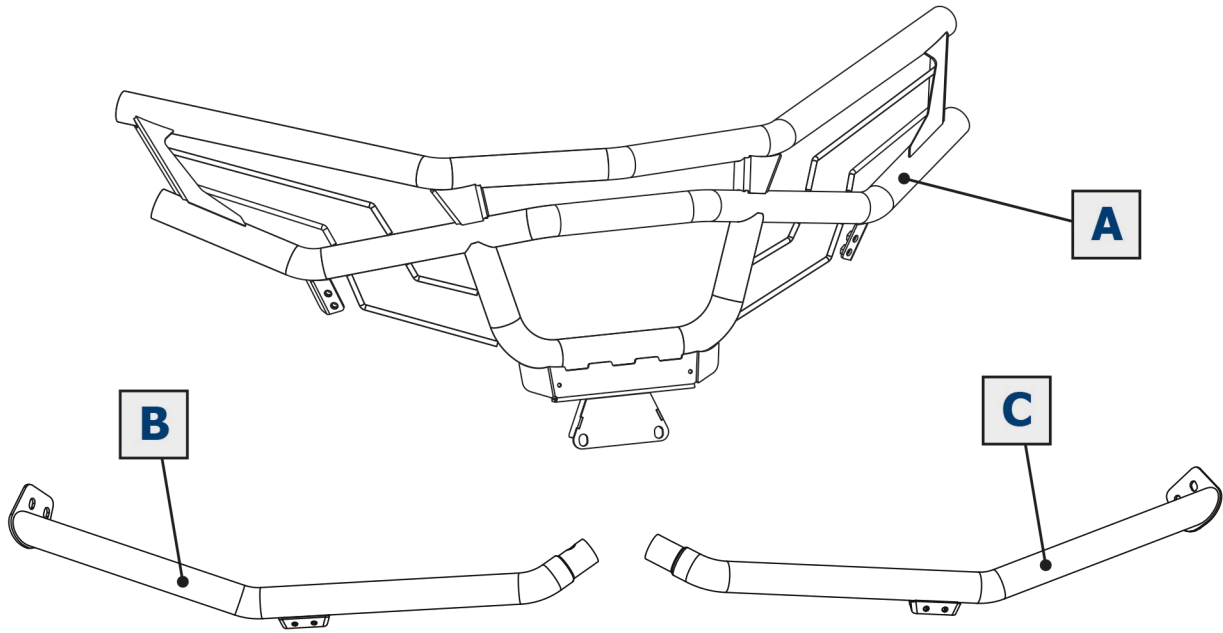
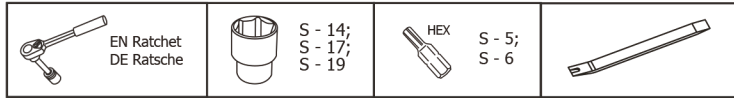
EN Drill
DE Bohrer

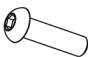
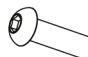
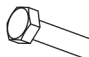







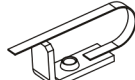


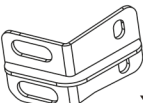
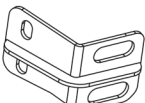

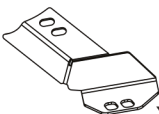
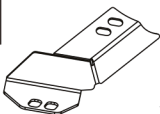




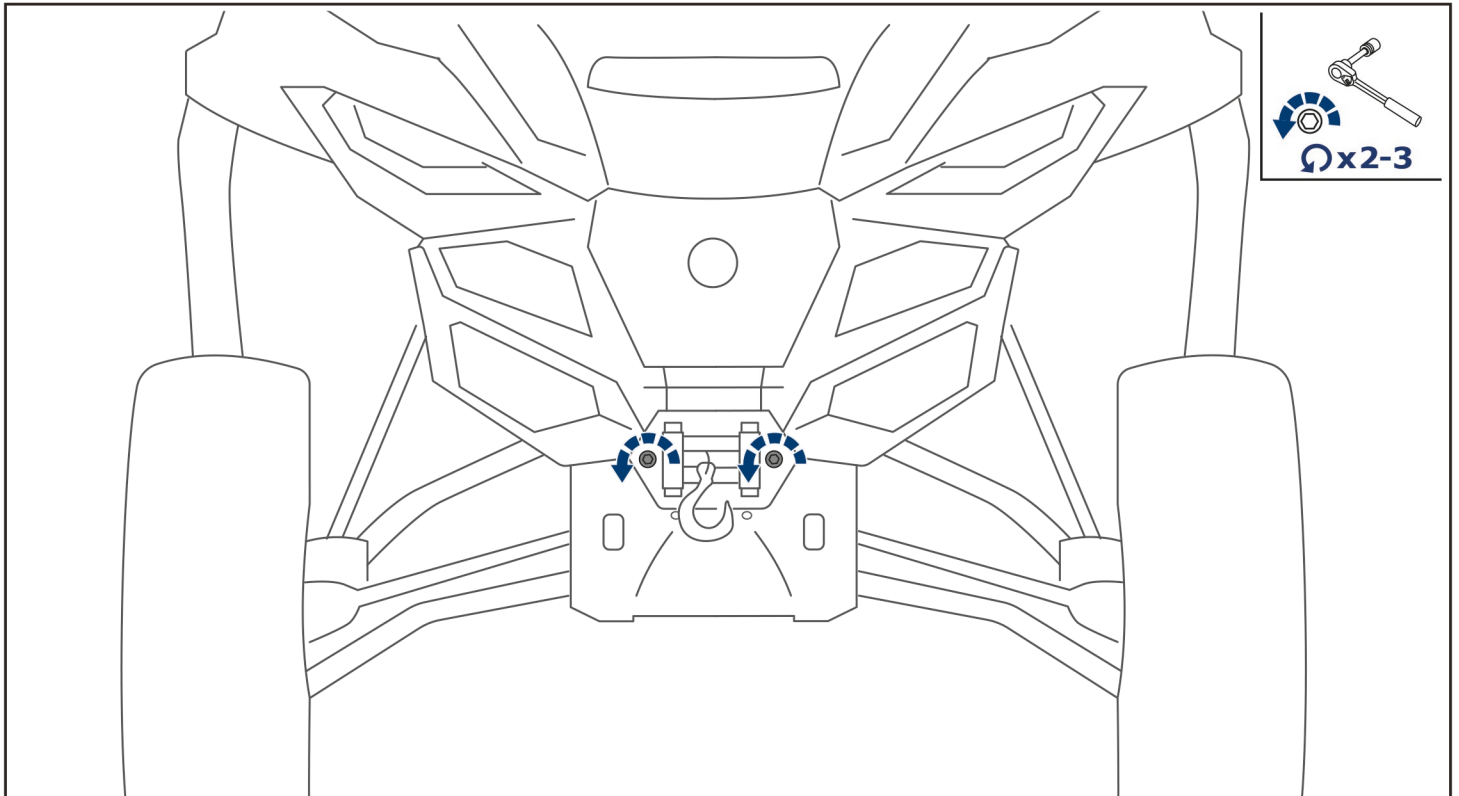
EN Screwdriver
DE Schraubenzieher



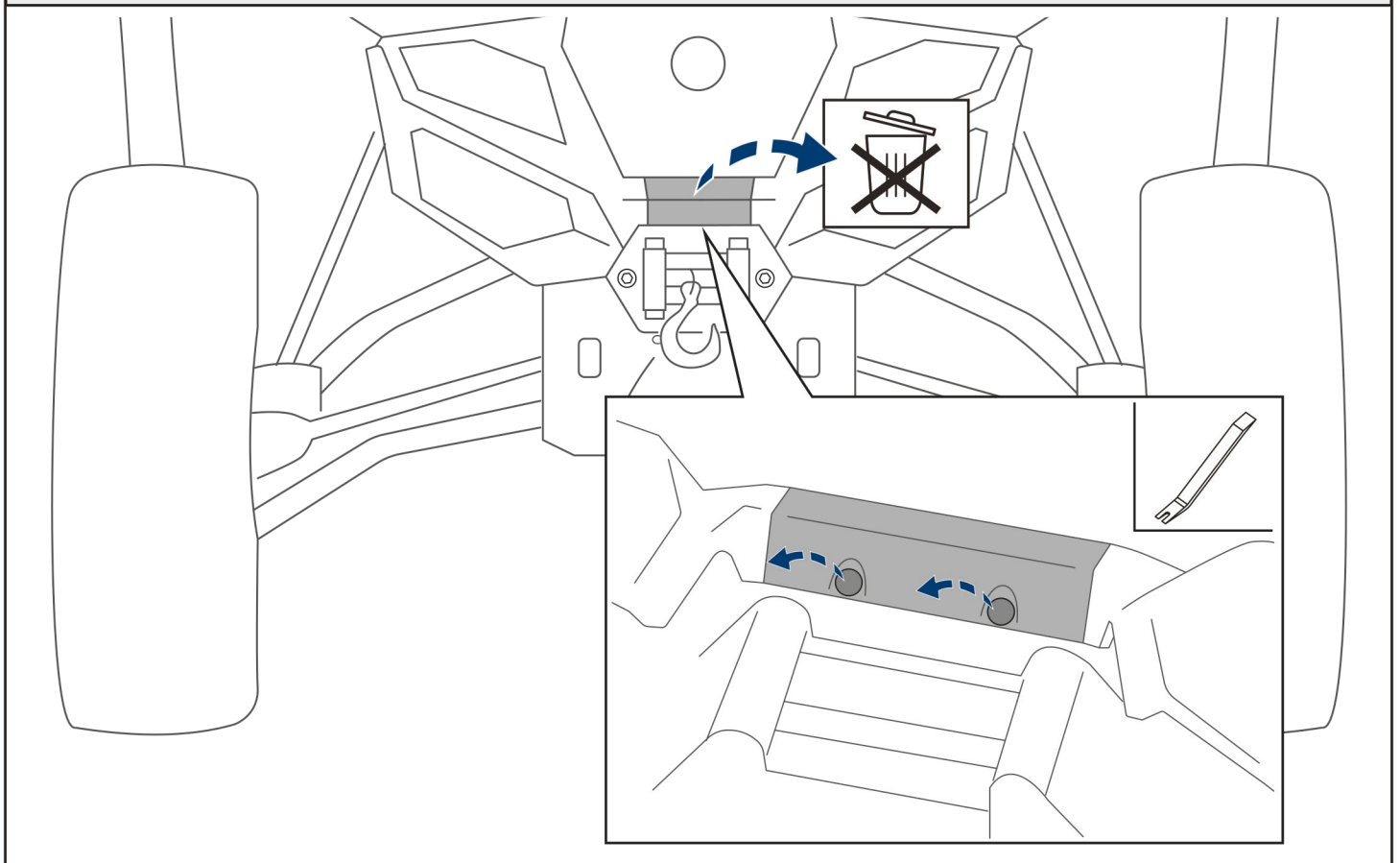
EN Office Knife
DE Büromesser

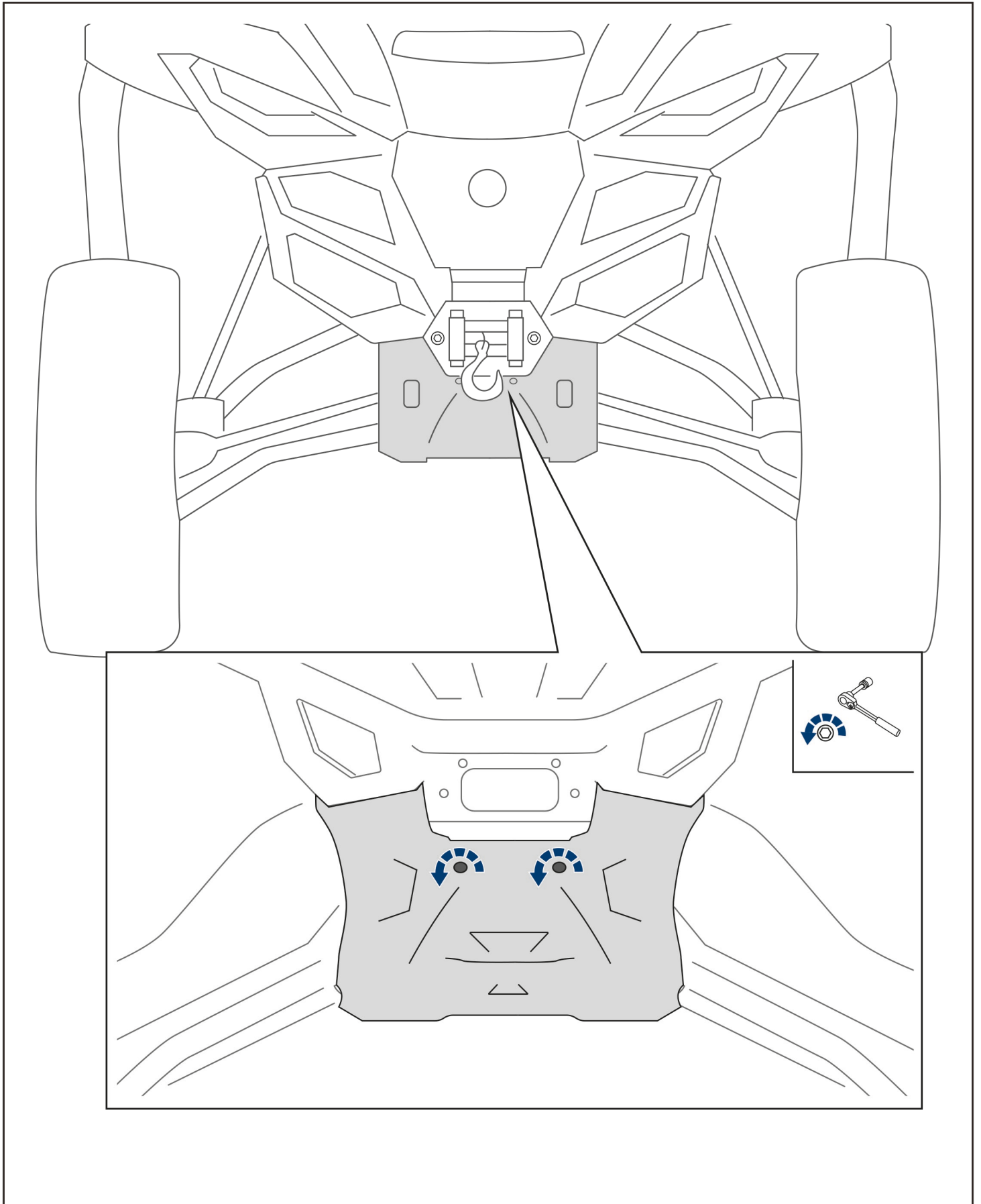


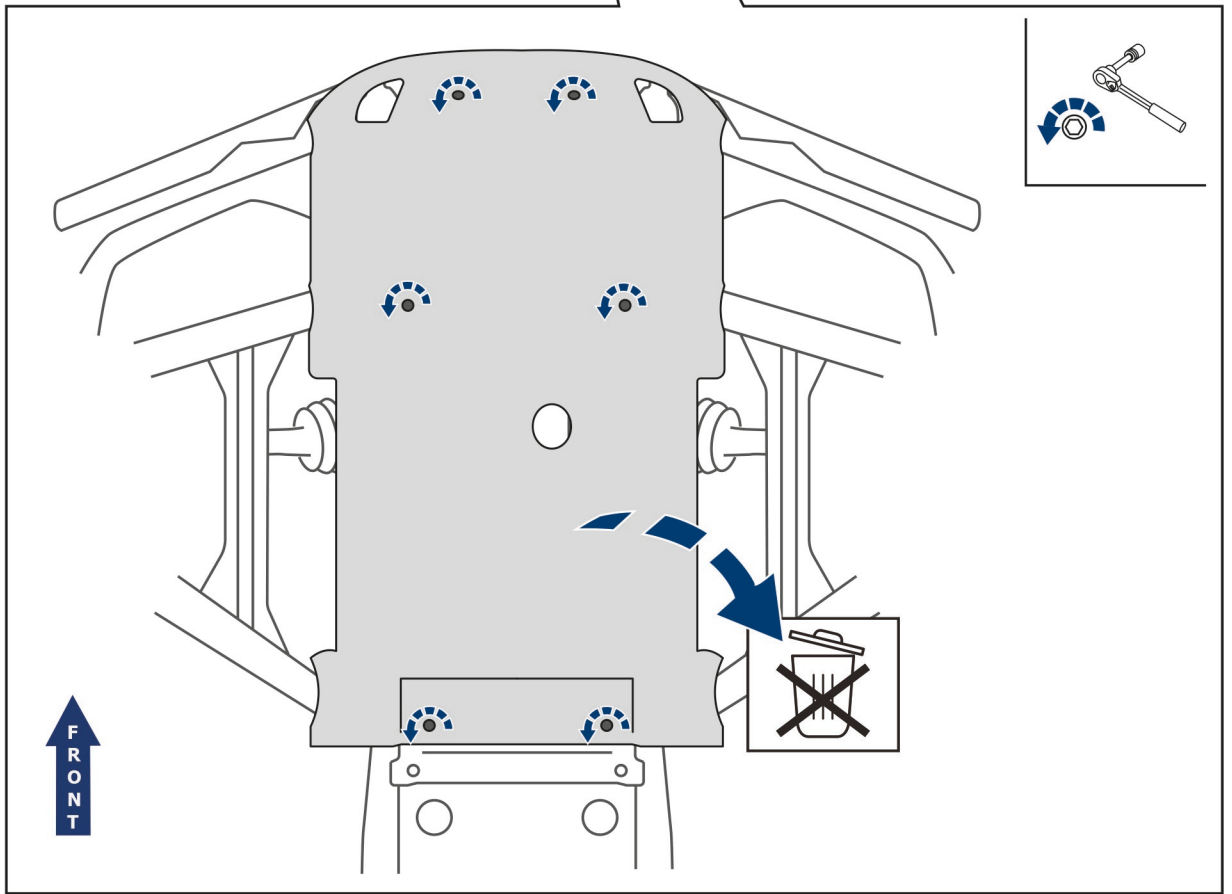
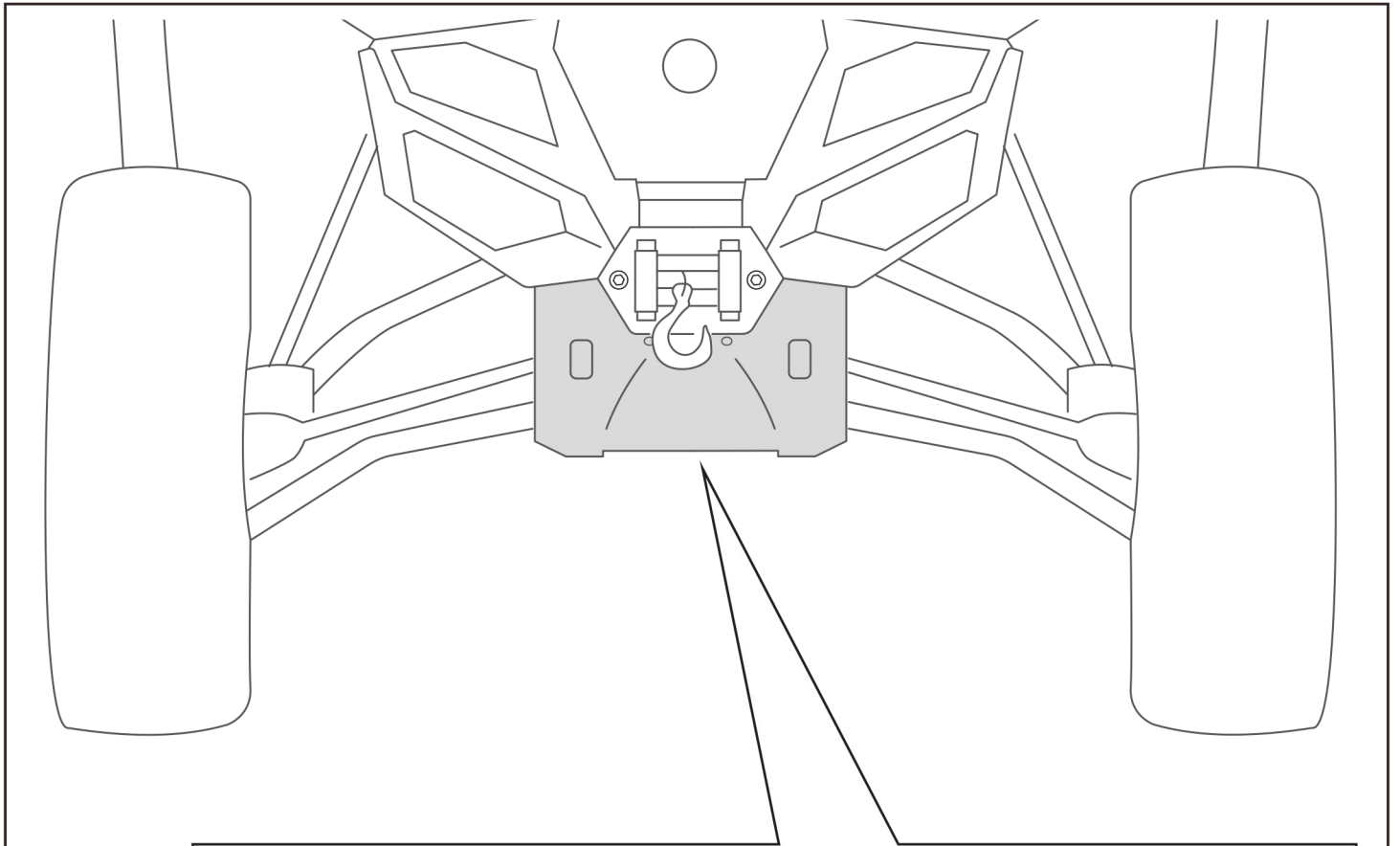
1  M6x16 x2	2  M8x20 x12	3  M10x30 x2	4  M12x60 x4	5  M10 x2	6  M12 x4
7  ø6 x2	8  ø8 x12	9  ø10 x2	10  ø12 x8	11  M6 x2	12  ø12 x4
13  M8 x4	14  x1	15  x1	16  ø42 x2	17  x1	18  x1
19  x2	20  ø8 x4				

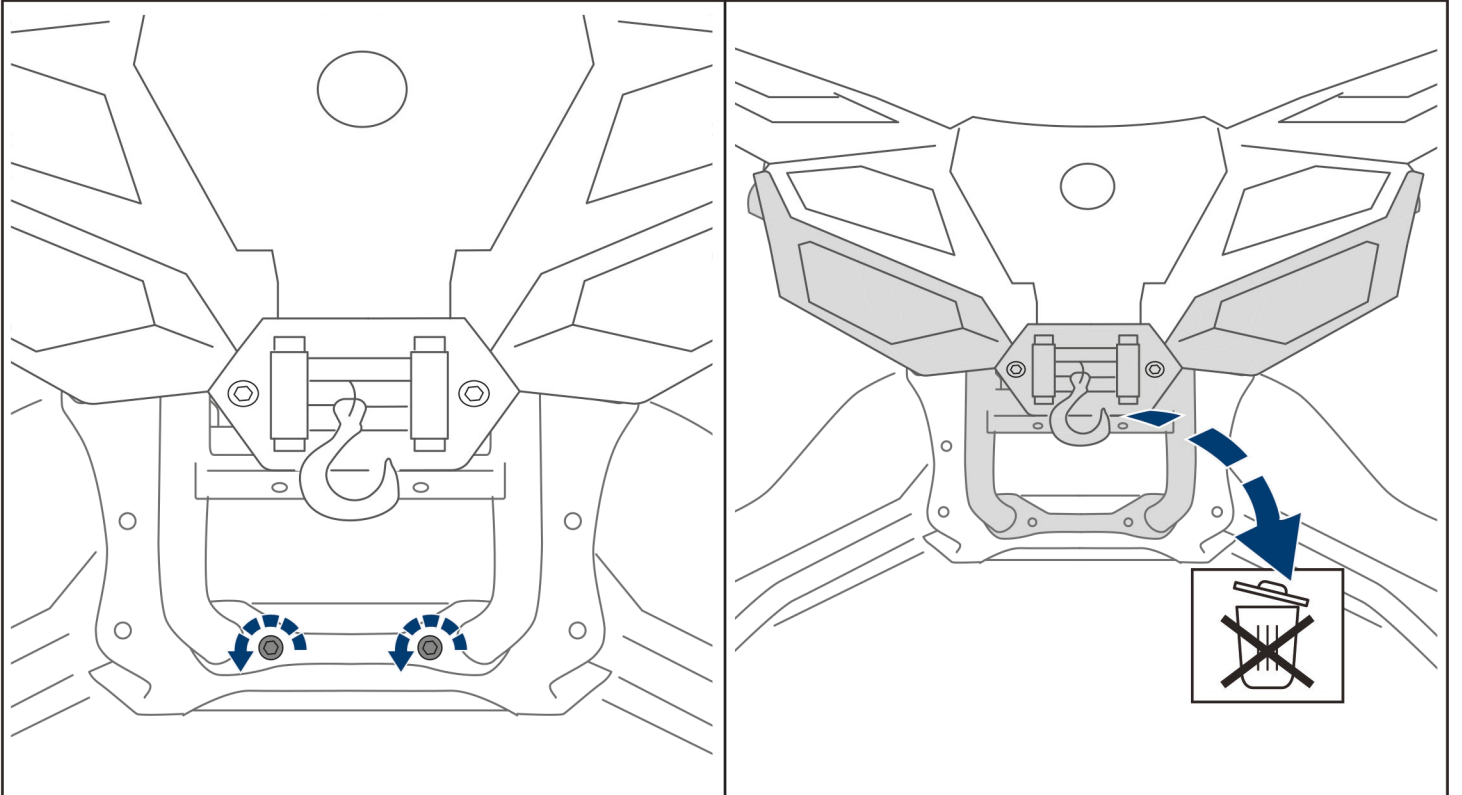
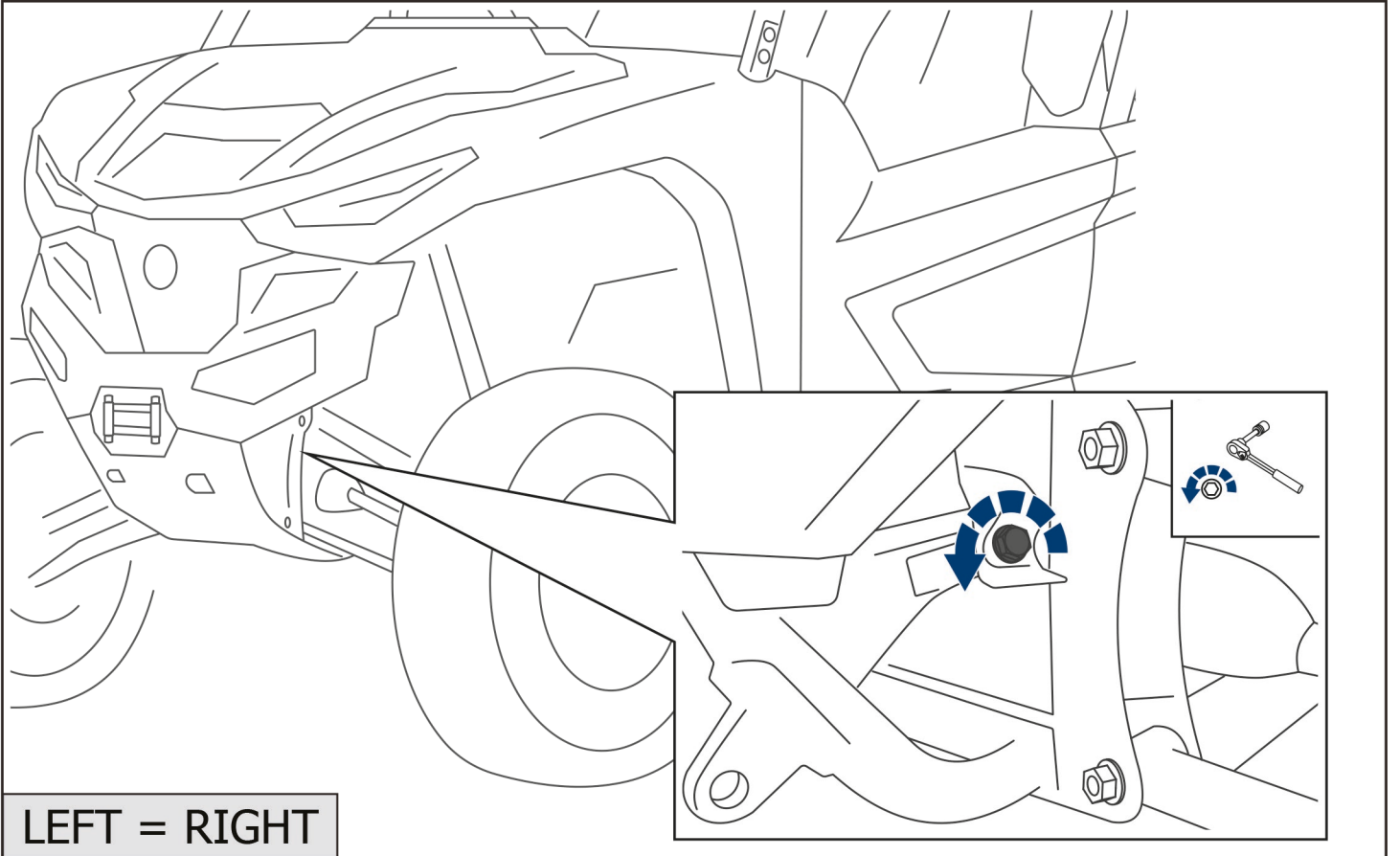


REMOVE FRONT PLASTIC SKID PLATE AND WINCH ROLLER FAIR LEAD IF INSTALLED
BUT KEEP AS WE WILL RE INSTALL LATER

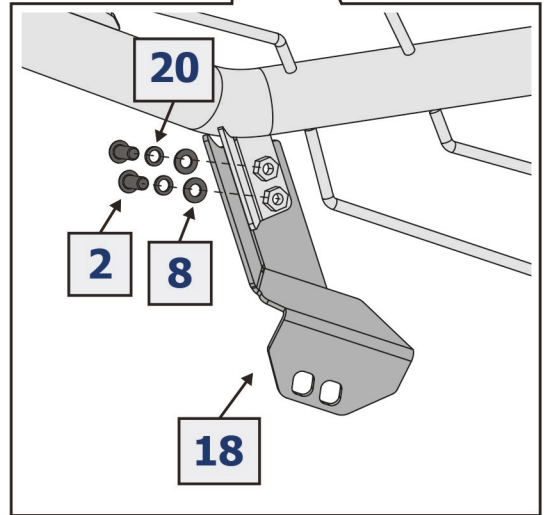
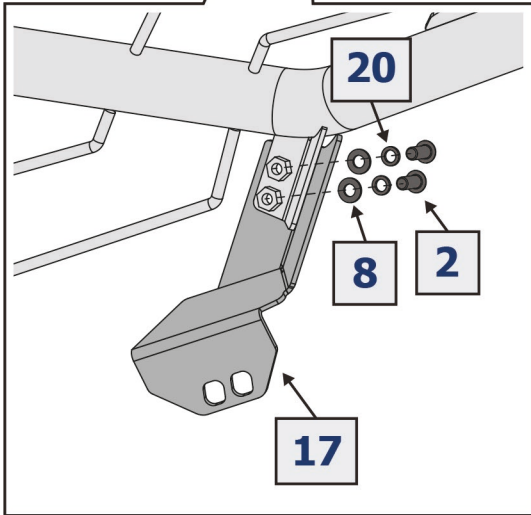
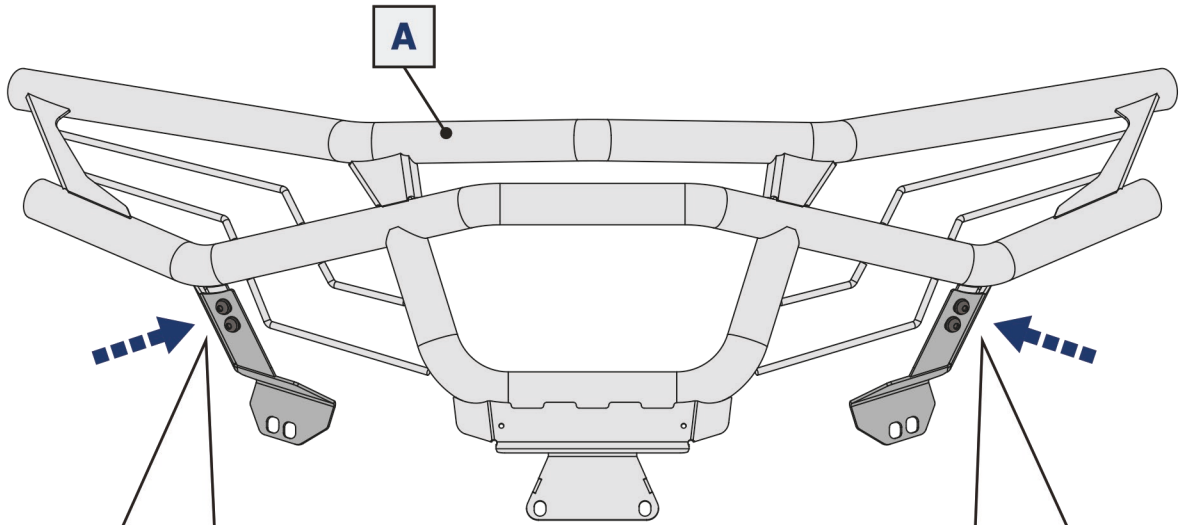




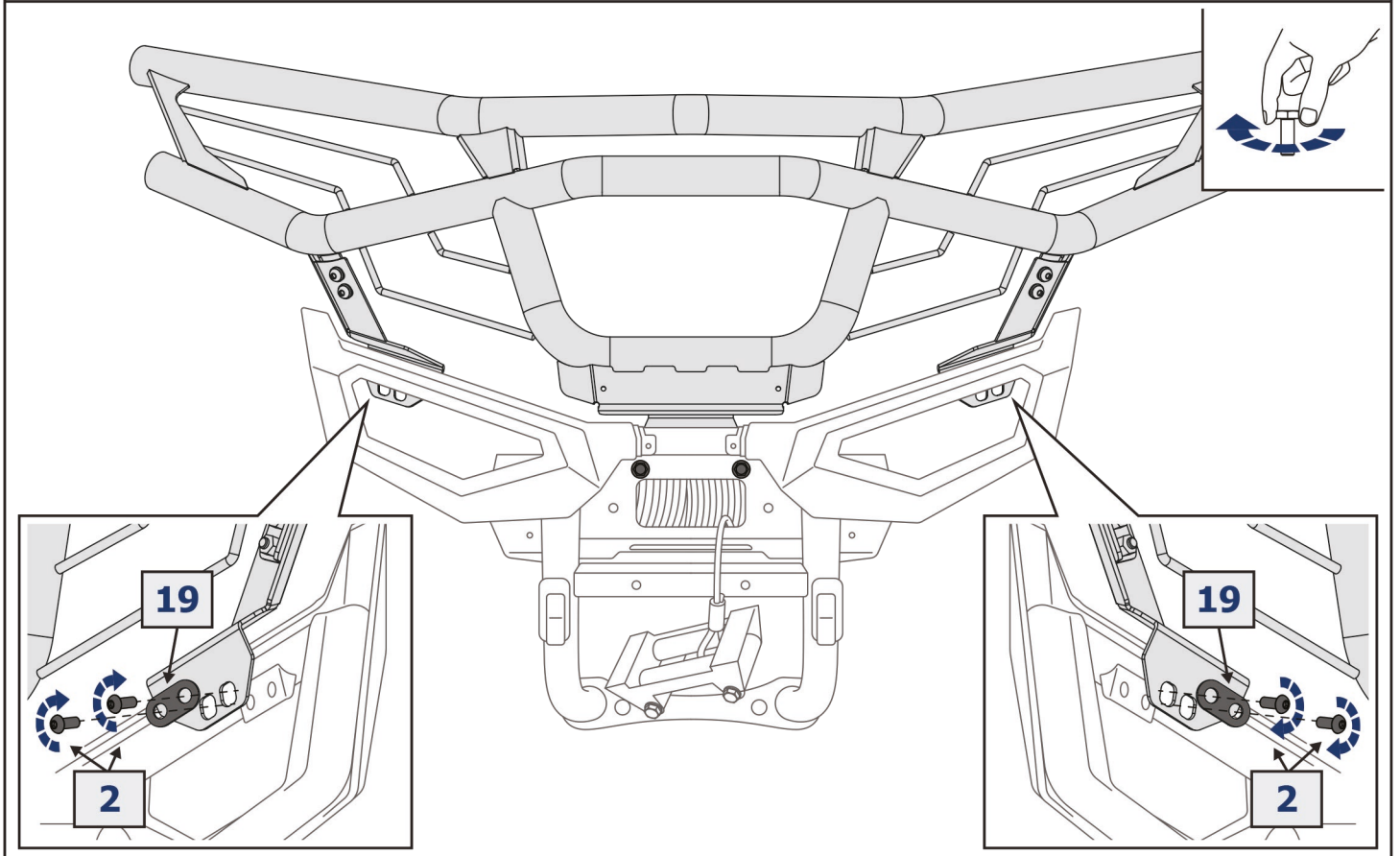
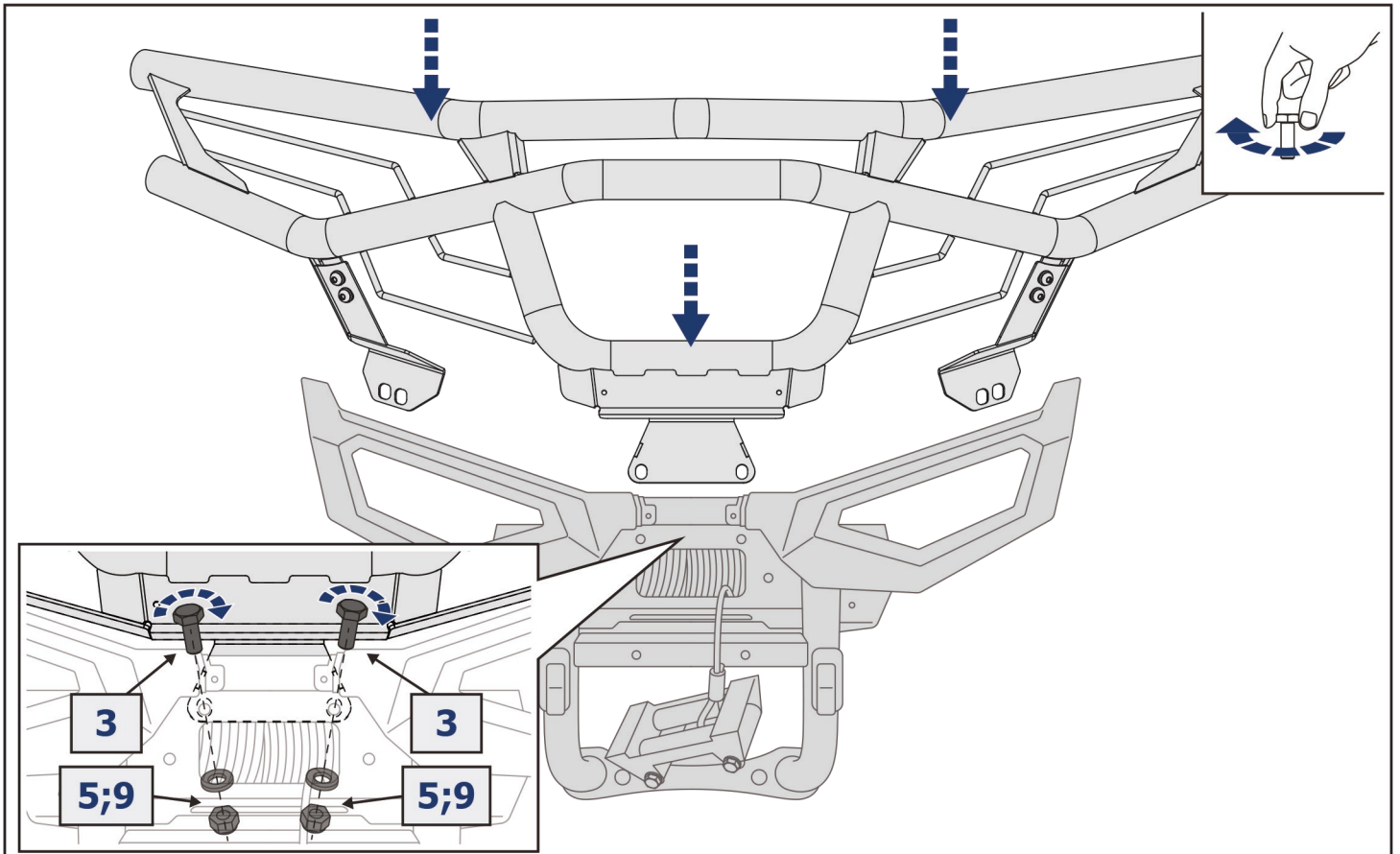


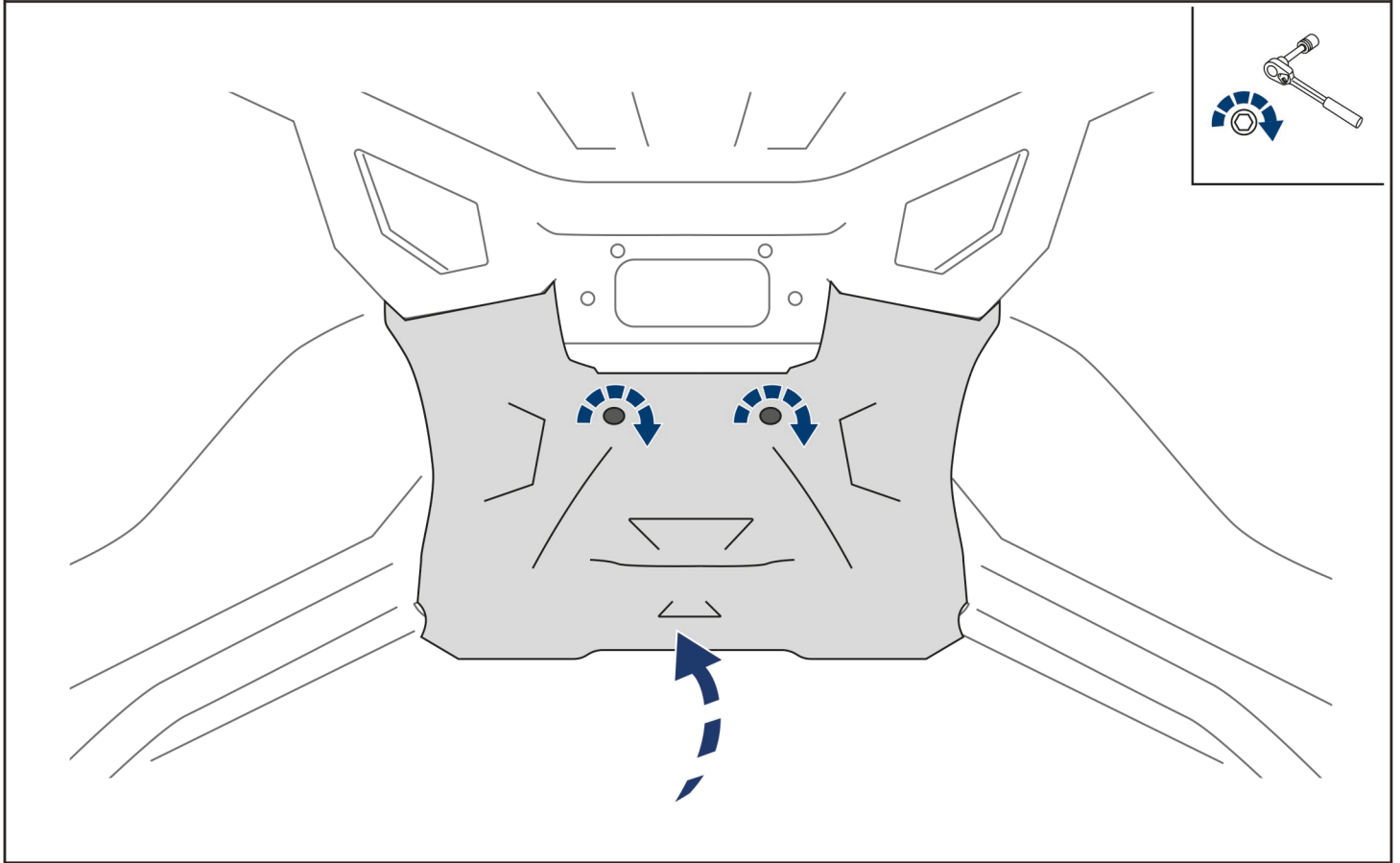
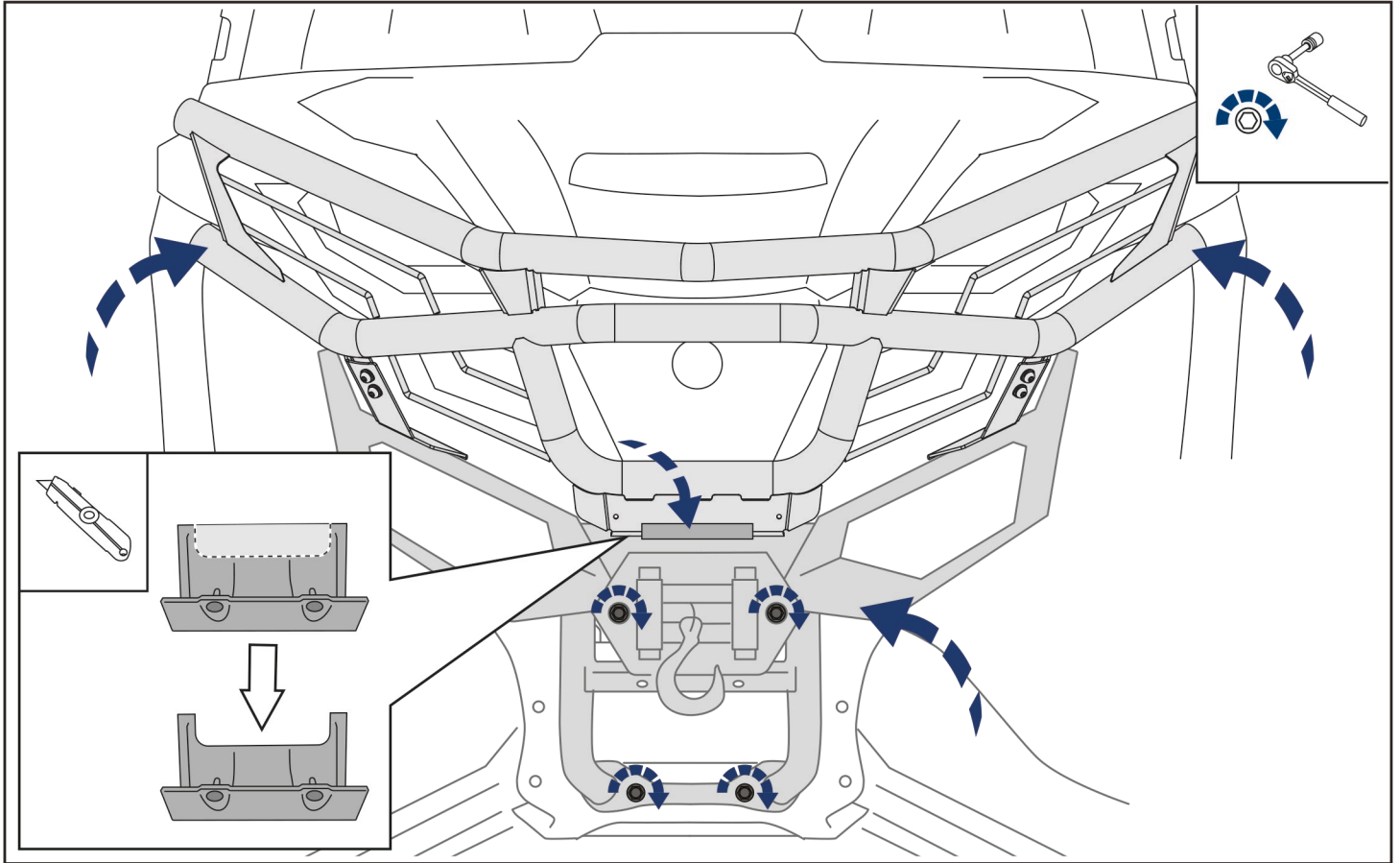


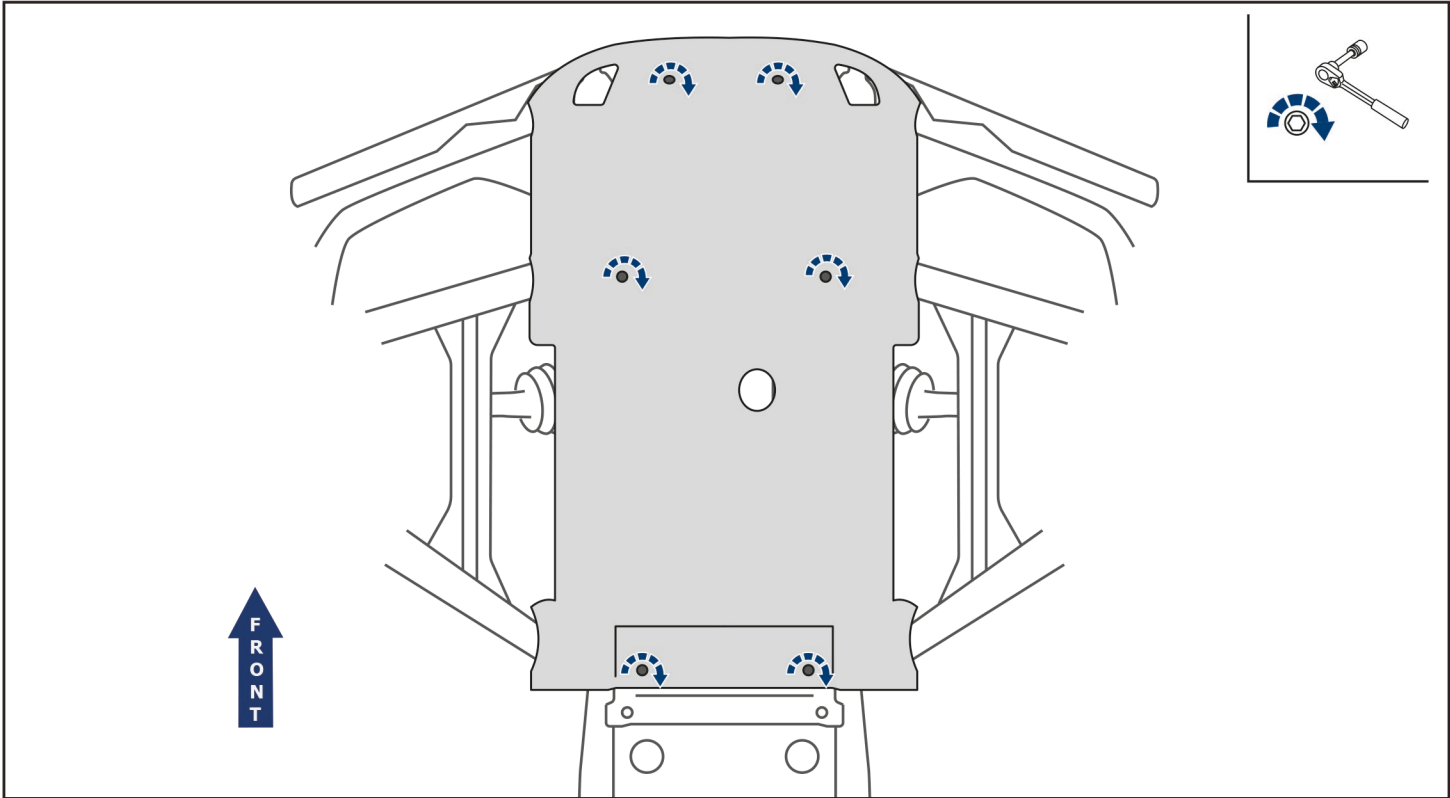
REMOVE STANDARD BUMPER BUT KEEP ALL BOLTS AS WE WILL RE INSTALL FRONT BUMPER AGAIN LATER



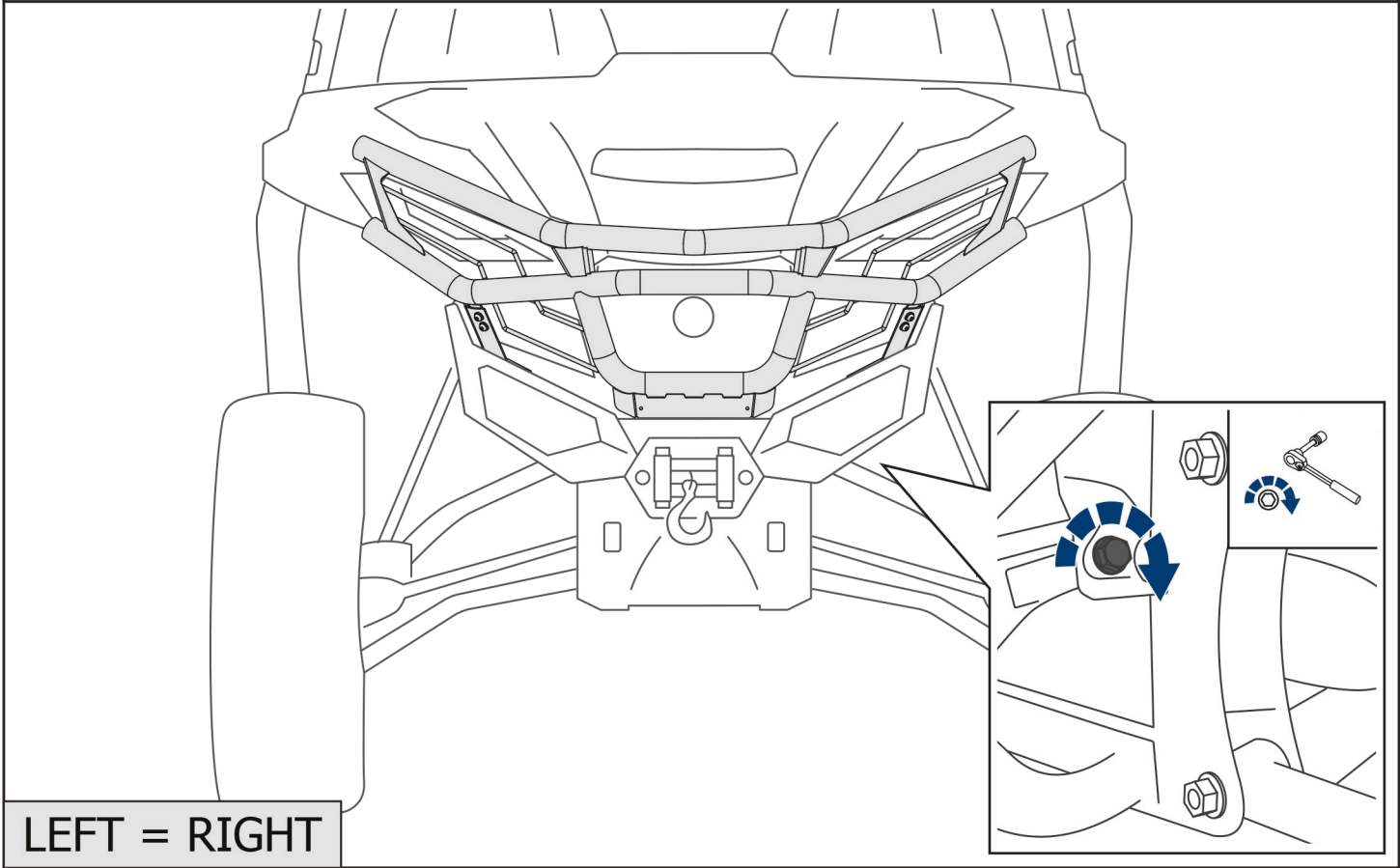
AFTER INSTALLING BRACKETS 17 AND 18 ONTO THE FRONT BUMPER THEN RE INSTALL RIVAL BUMPER ON TOP OF THE STANDARD BUMPER



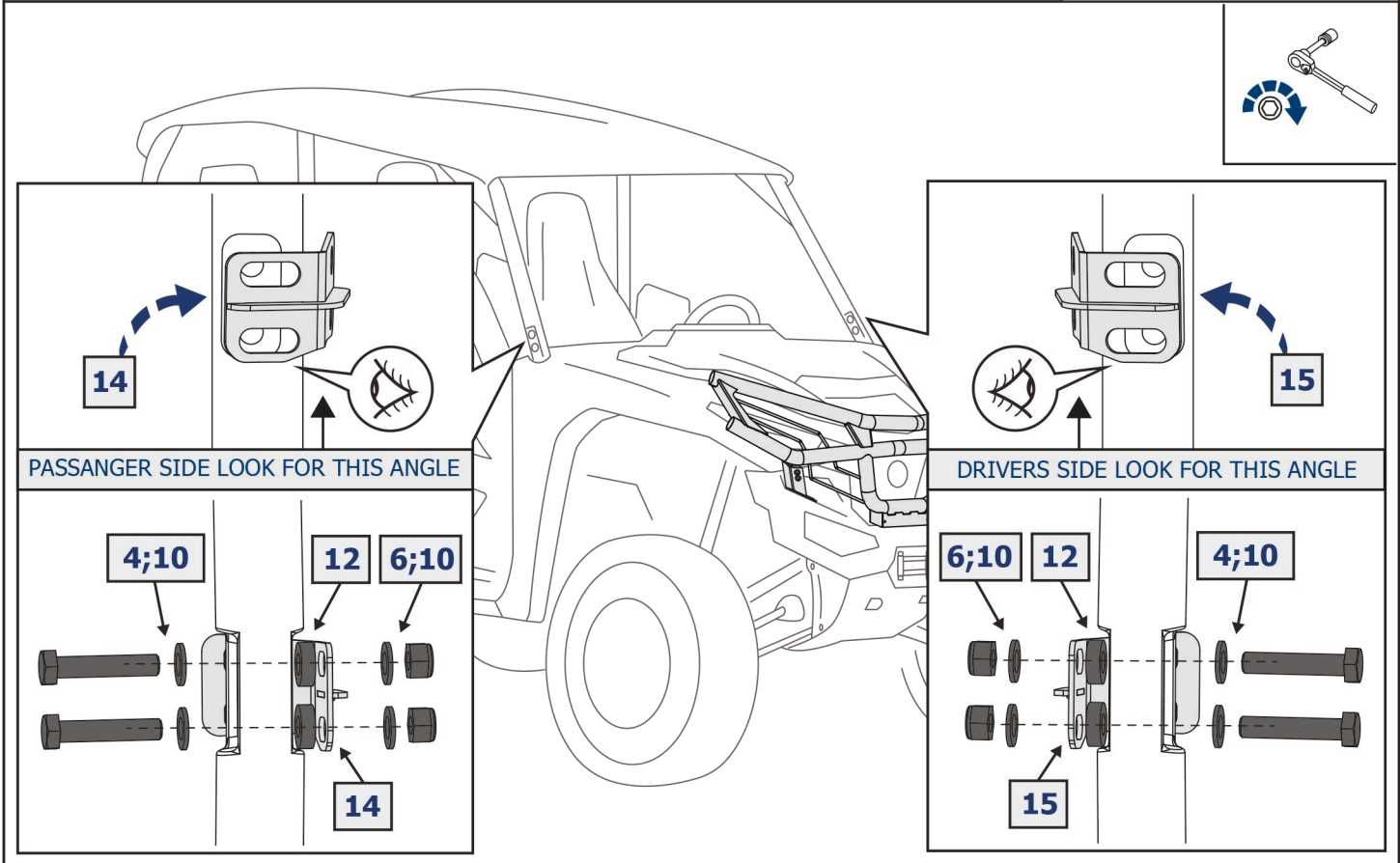
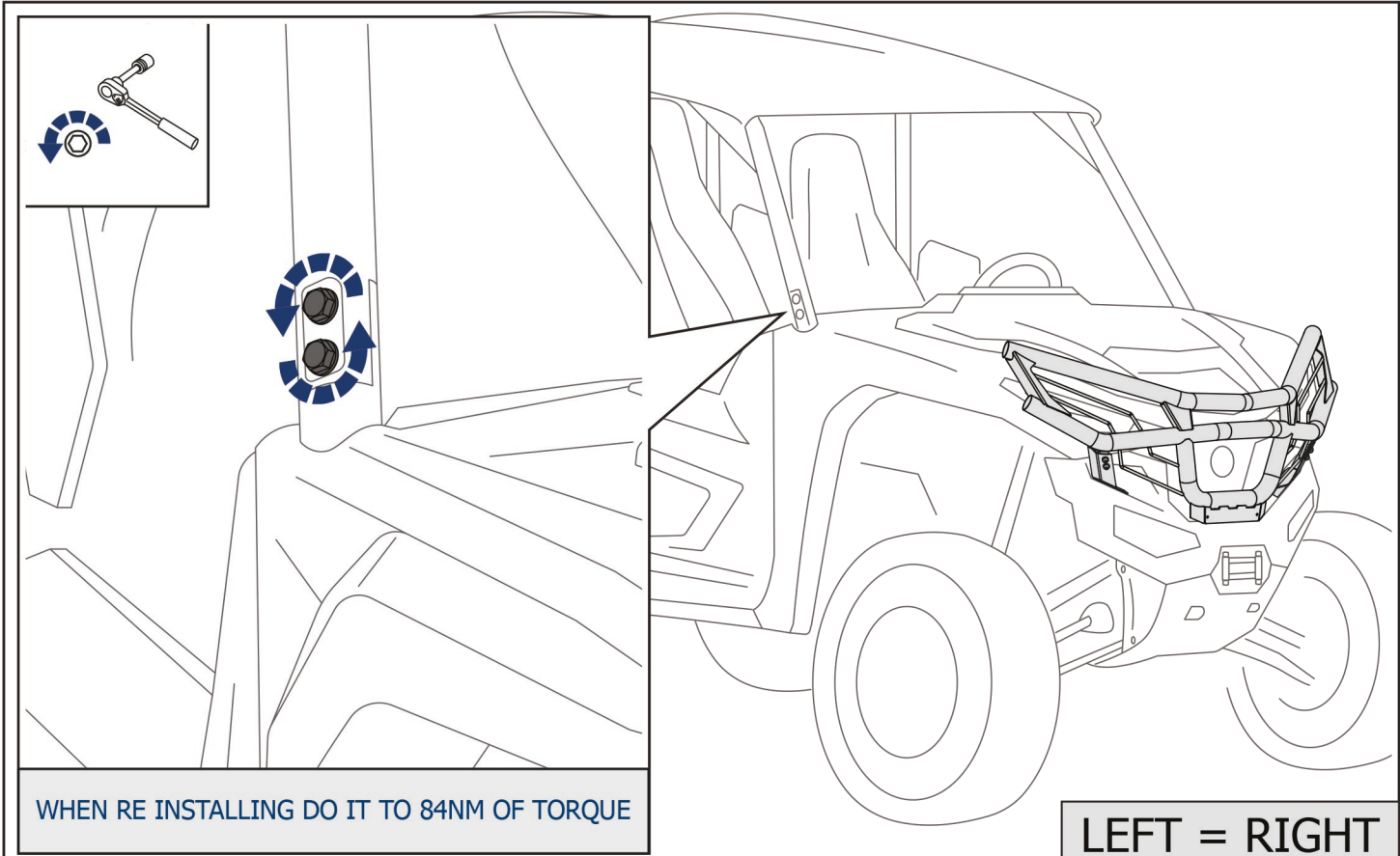


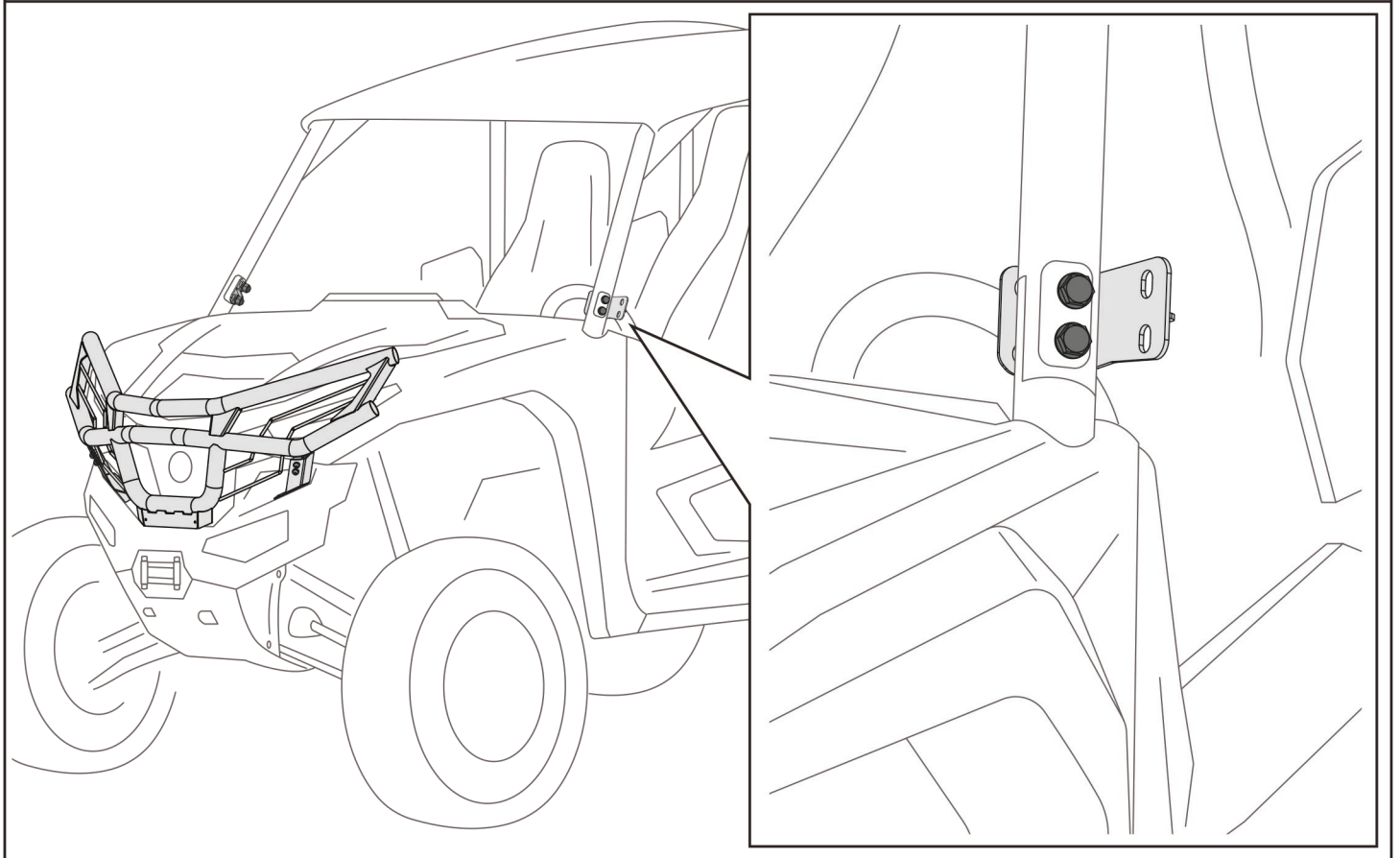
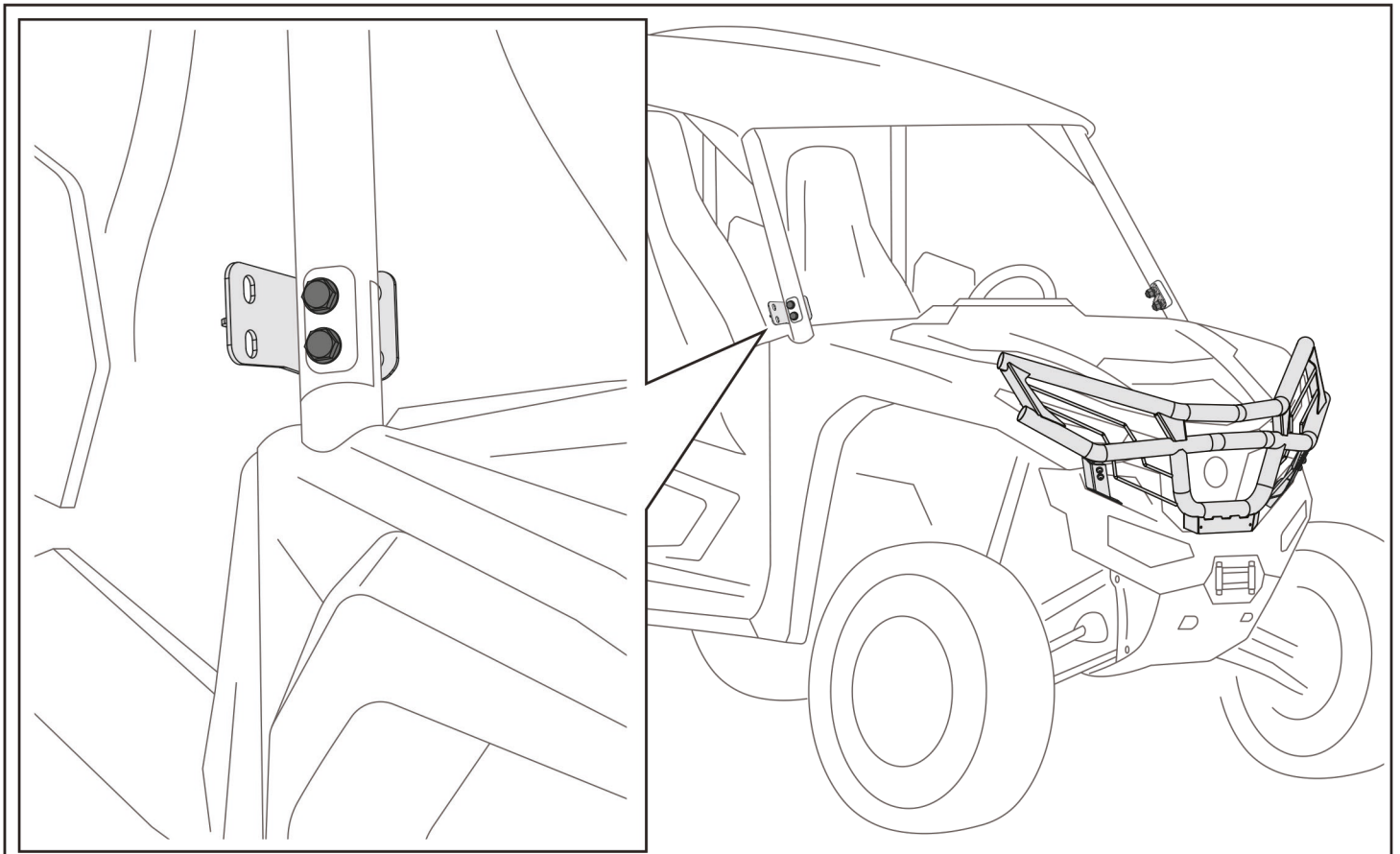


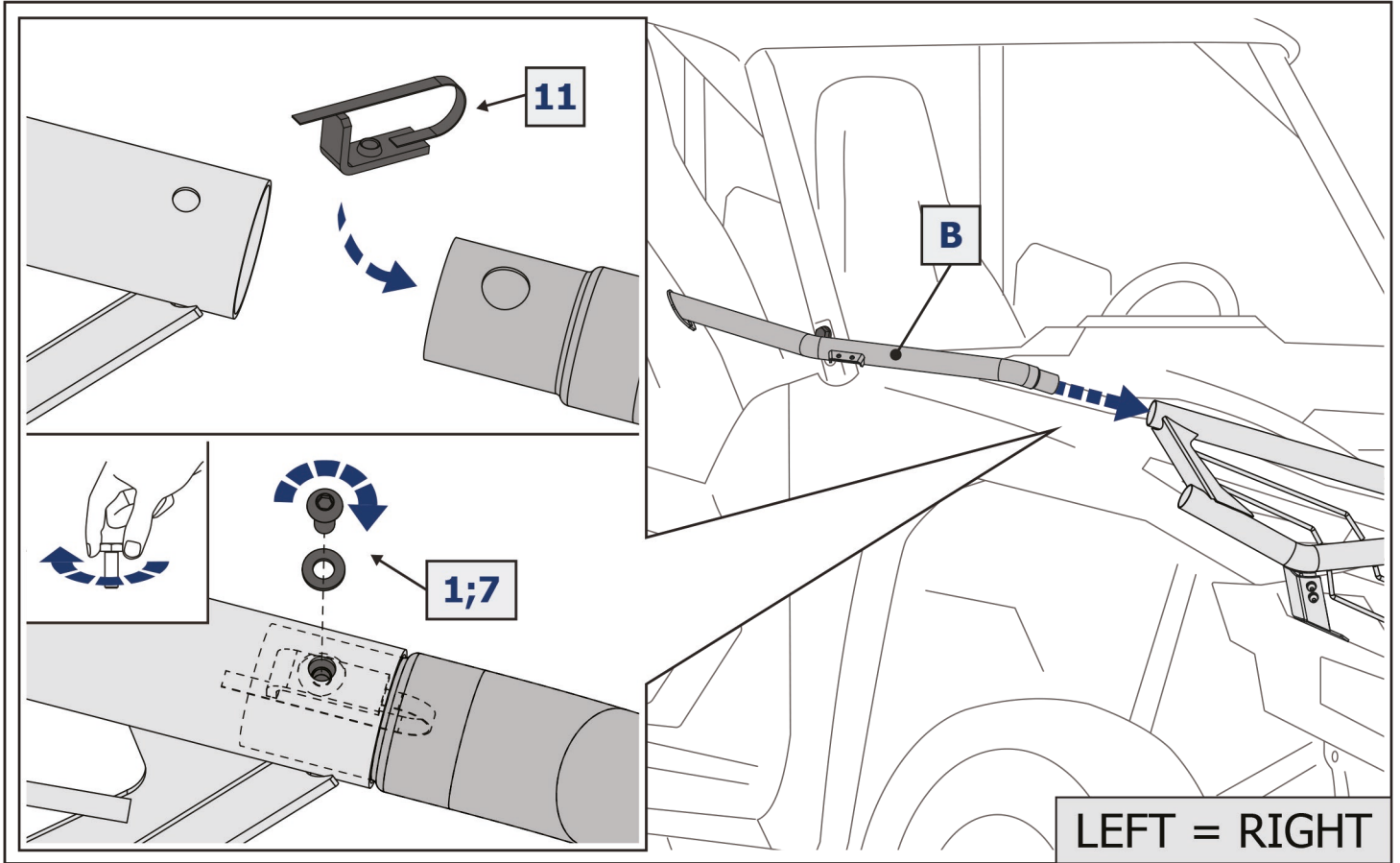
RE INSTALL FRONT BUMPER AND FRONT PLASTIC SKID PLATE ONTO THE BIKE



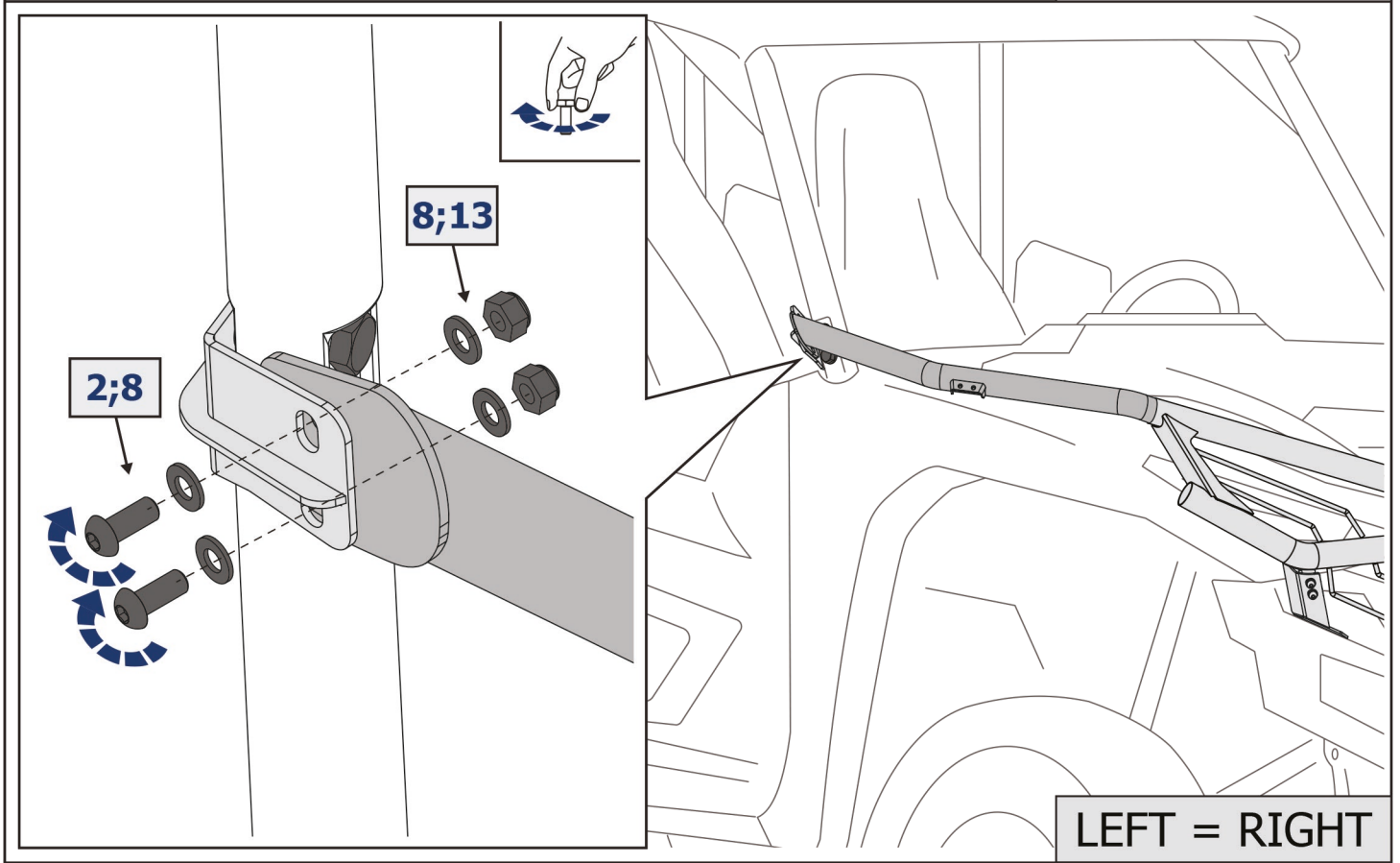
LEFT = RIGHT







LEFT = RIGHT



LEFT = RIGHT

