

EN **SKID PLATE INSTALLATION MANUAL**

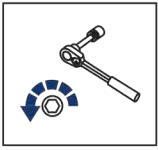
DE **MONTAGEANLEITUNG FÜR UNTERBODEN SCHUTZ SYSTEM**



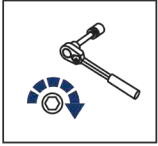
**For: Yamaha Viking (2015-2022)**

2444.7171.1





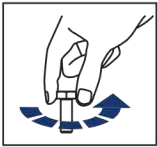
EN Regular fasteners  
DE Originale montageile



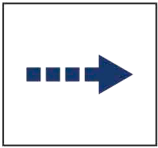
EN Regular fasteners  
DE Originale montageile



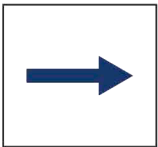
EN Screw a several turns  
DE Für wenigen Umdrehungen befestigen



EN Loosen bolts  
DE Bolzen lockern



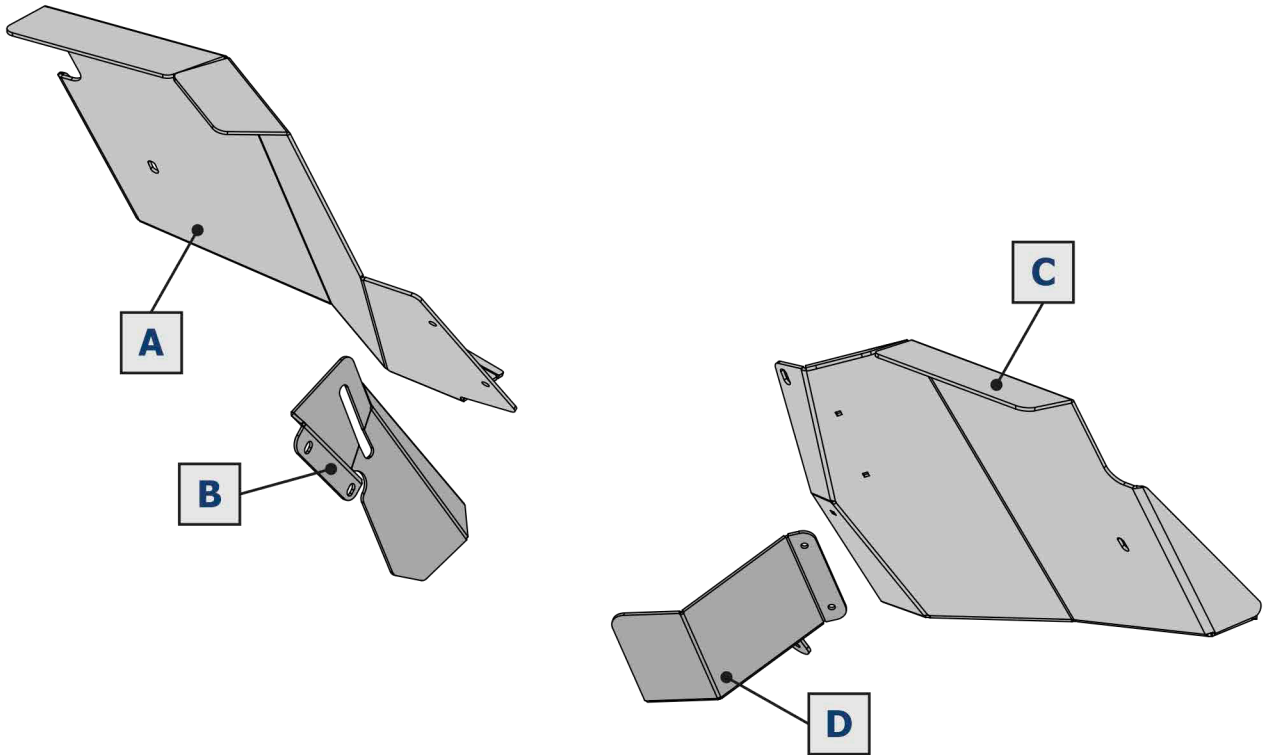
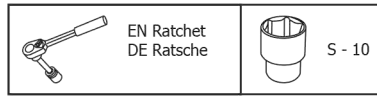
EN Movement Arrow  
DE Bewegungsrichtung



EN Location/Position Arrow  
DE Anordnung/Positionsrichtung

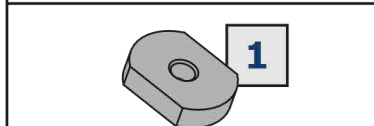
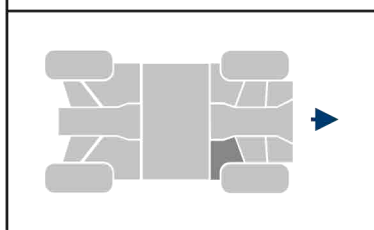
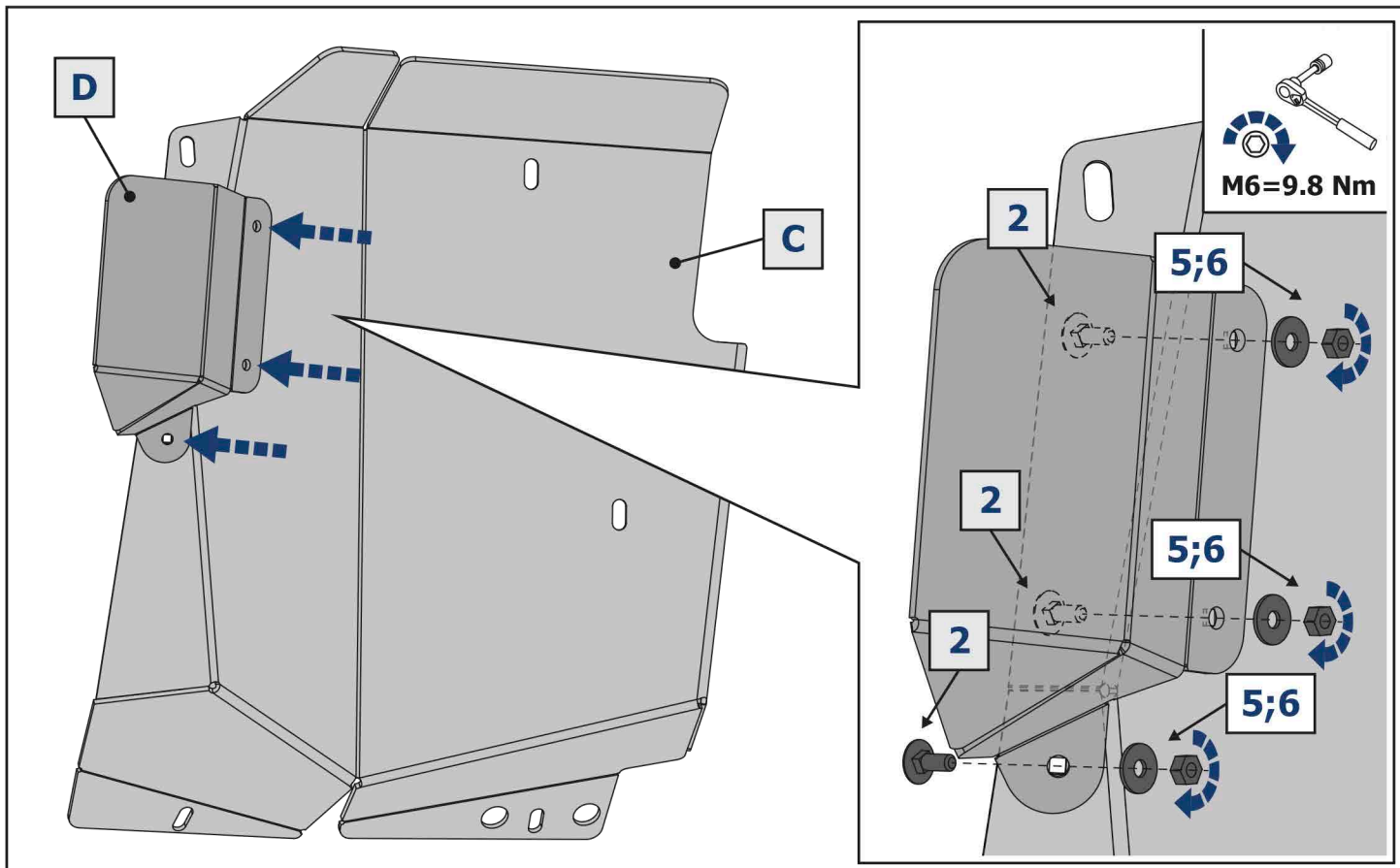


EN Screw Arrow  
DE Drehungsrichtung

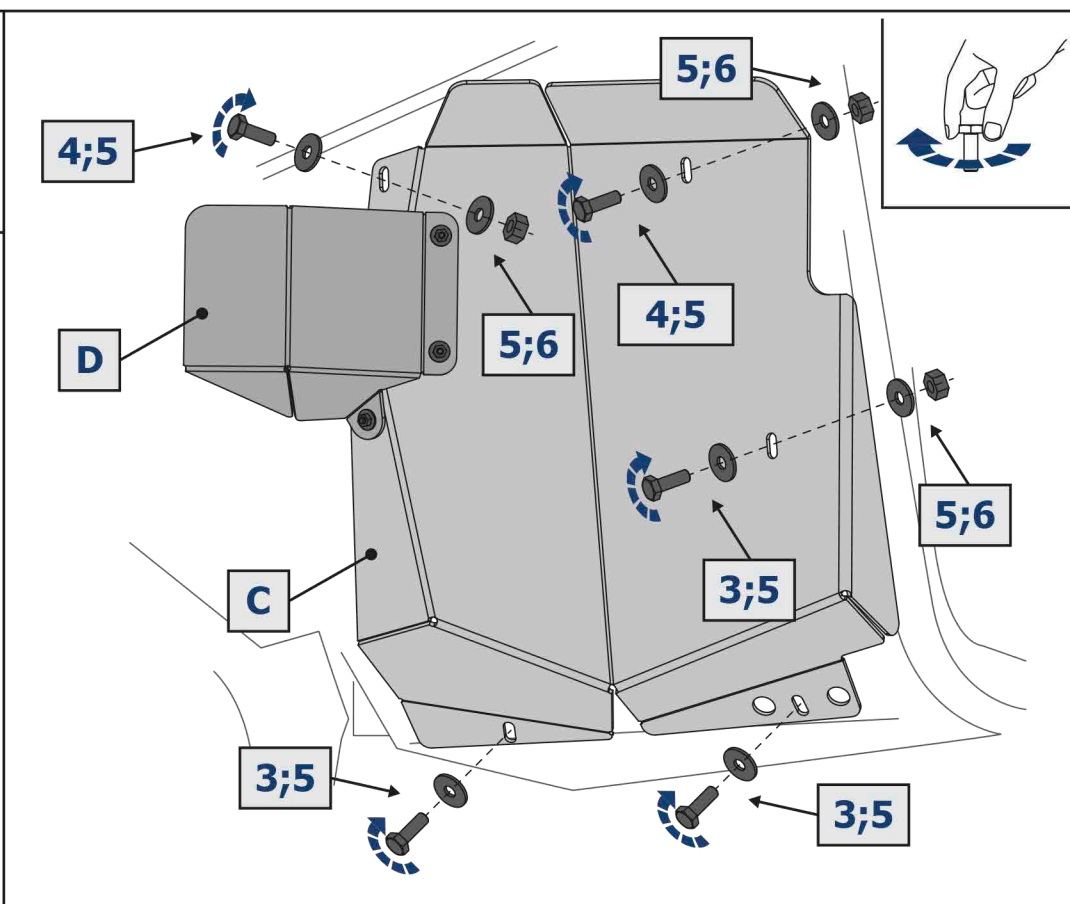


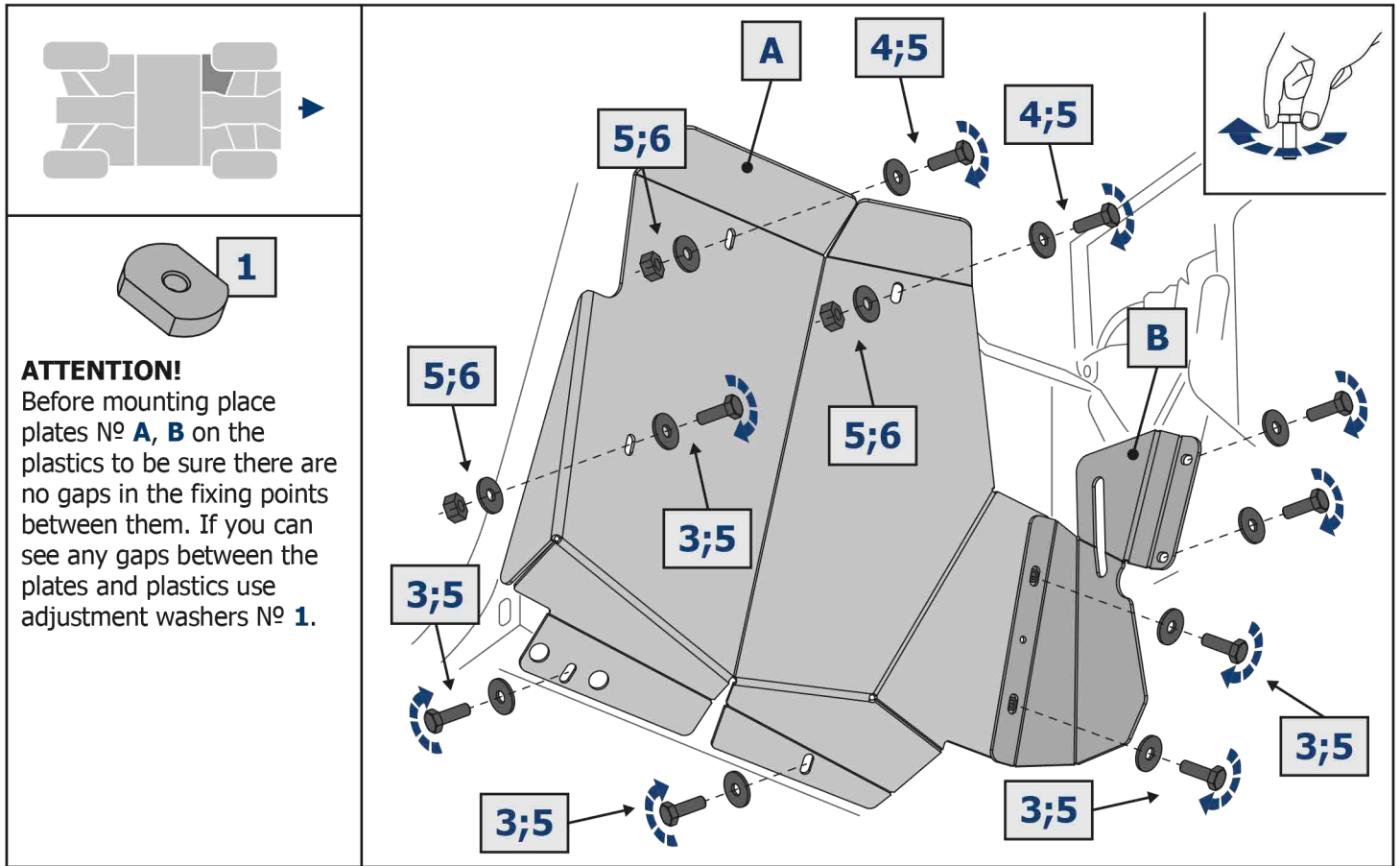
<b>1</b>		x6	<b>2</b>		x3	<b>3</b>		x8	<b>4</b>		x4	<b>5</b>		x21	<b>6</b>		x9
		M6x16			M6x20			M6x35			ø6			M6			

PRE-INSTALLATION: LAY OUT COMPONENTS AND COMPARE TO LIST AND IMAGES. IMAGES MAY NOT PORTRAY THE FULL DETAIL OR EXACT SHAPE OF THE PARTS; HOWEVER, THEY REPRESENT PARTS THAT HAVE SAME OR SIMILAR FUNCTION.

**ATTENTION!**

Before mounting place plates Nº C, D on the plastics to be sure there are no gaps in the fixing points between them. If you can see any gaps between the plates and plastics use adjustment washers Nº 1.





TIP: PERIODICALLY CHECK ALL HARDWARE AND RE-TIGHTEN IF NEEDED.