

Radiator Relocation kit

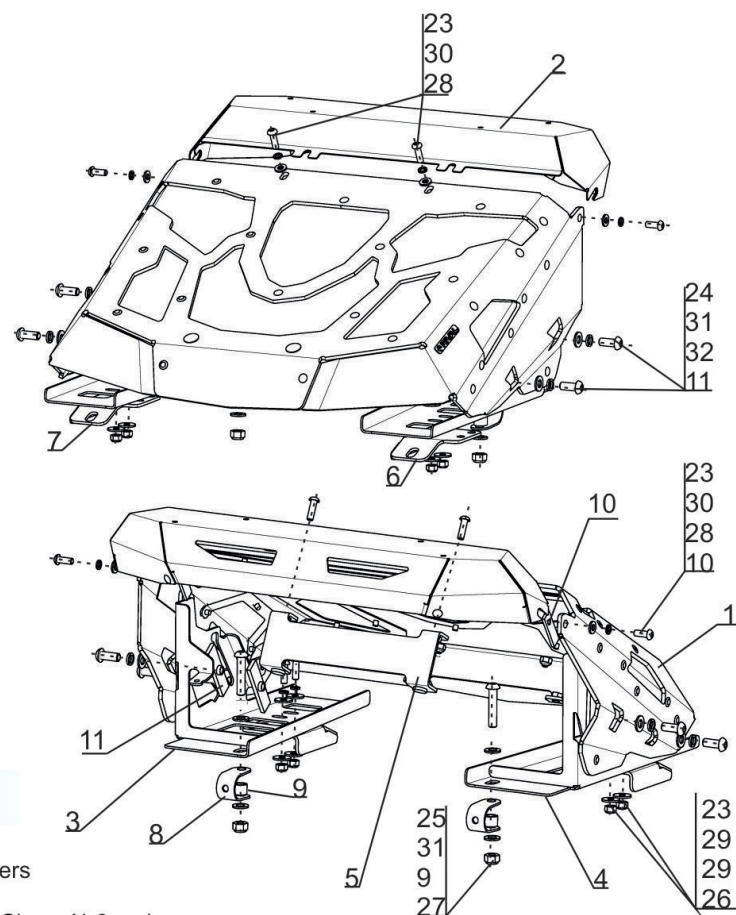
No.: 2444.7149.1
Brend: Yamaha
Model: Grizzly 700(2012-), Kodiak(2016-)
Material: Al, 4 mm

Content

1. Plate.....	1 pc	14. Clamp 20-32.....	6 pc	26. Nut M6.....	4 pc
2. Plate	1 pc	15. Clamp 10-16.....	2 pc	27. Nut M8.....	2 pc
3. Bracket.....	1 pc	16. Clamp.....	5 pc	28. Washer 6.....	4 pc
4. Bracket.....	1 pc	17. Pipe d20.....	1 pc	29. Washer increased 6	8 pc
5. Bracket.....	1 pc	18. Bent Pipe d20	1 pc	30. Washer Spring 6	4 pc
6. Bracket.....	1 pc	19. Wire.....	1 pc	31. Washer 8.....	10 pc
7. Bracket.....	1 pc	20. heat-shrink tubing.....	1 pc	32. Washer Spring 8....	4 pc
8. Clamp.....	2 pc	21. Wire corrugation.....	1 pc		
9. Sleeve.....	2 pc	22. Adapter d20.....	1 pc		
10. Lock nut M6.....	2 pc	23. Screw M6x20.....	8 pc		
11. Lock nut M8.....	4 pc	24. Screw M8x20.....	6 pc		
12. Adapter d20.....	1 pc	25. Screw M8x40.....	2 pc		
13. Hose.....	1 pc				

Installation Instructions

1. Remove radiator, clean if necessary of dirt.
2. Mount radiator on Plate 1 using bracket №5. Mount Bracket №5 to the Plate №1 with Screws M6x20 №23, Washers 6 №28,30. Mount radiator on Plate №1 using the original bolts at the front side.
3. Mount Brackets №3,4 on the hood. Schemes of installation of trunks of different modifications on sheet 2. Mount Clamp №8 under Brackets №3,4 (picture №1)
4. Mount Plate №1 on Brackets №3,4 using Screws №24 (M8x20), Lock nuts №11 (M8) through Washers (8) №31,32.
5. Cut out the outlet for the radiator pipes (picture 2). Mount Bent Pipe d20 №18 on the left (in the course of travel) radiator entrance, reach the original cooling system pipe, join with Adapter d20 №12 (picture 3). Mount pipes with Clamps 20-32 №14.
6. Pull the expansion tank hose from the radiator to the expansion tank, mount using Clamps 10-16 №15.
7. Unscrew Bracket №5 for a few turns. Mount Plate №2 on Plate №1 using Screws (M6x20) №23, Lock nuts (M6) №10 through the Washers №28,30.
8. Mount the pipe using ties. Install the radiator in the maximum raised position, fill the antifreeze, bleed the system.

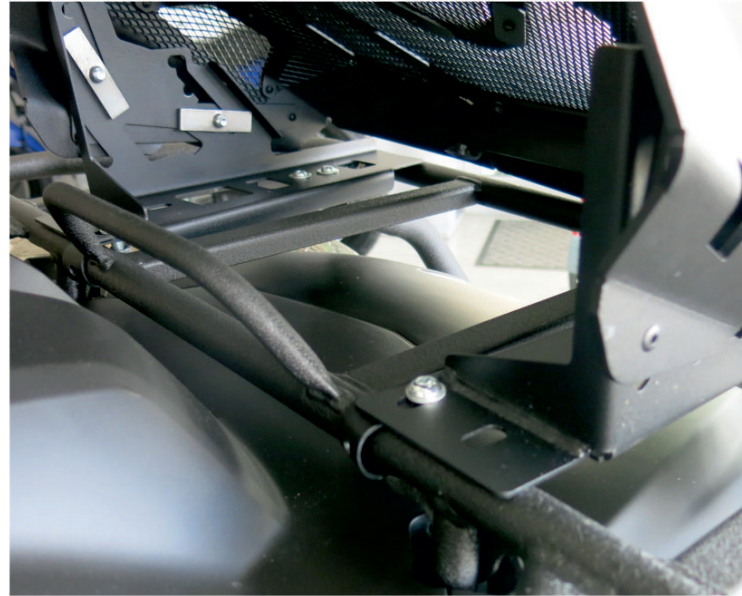
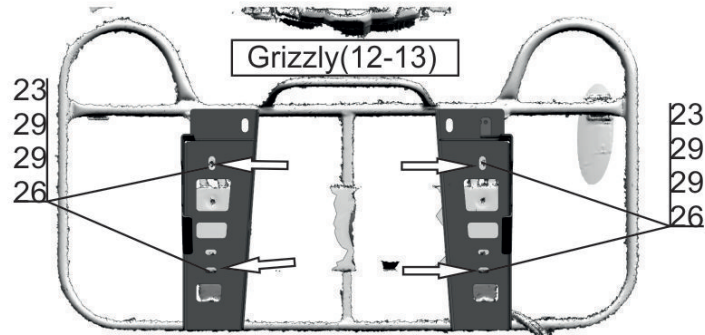
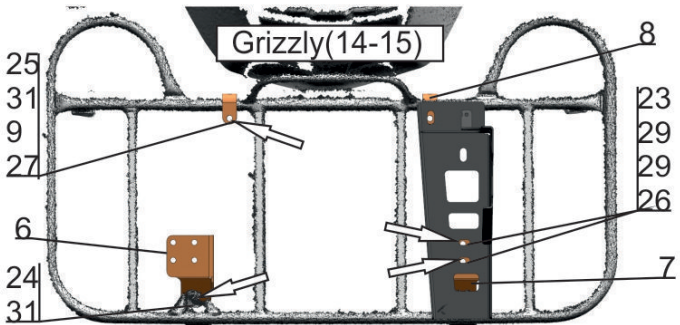
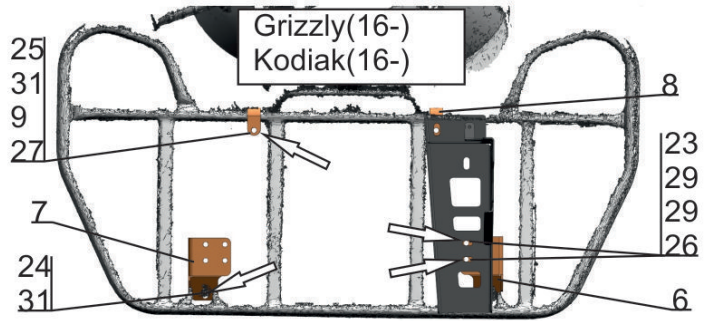


TOOLS REQUIRED

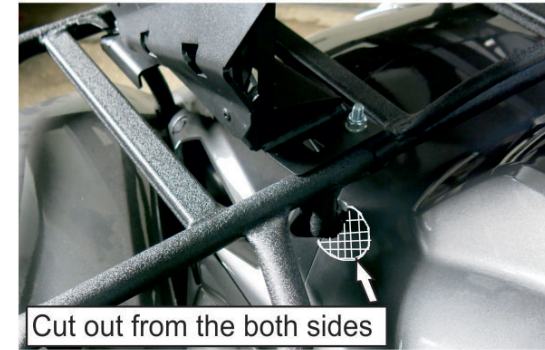


SCREW FORCE





pic 1



pic 2

