

EN **SIDE RAILS INSTALLATION MANUAL**

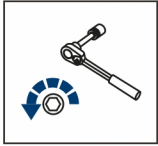
DE **MONTAGEEINLEITUNG FÜR SEITENSCHIENEN**



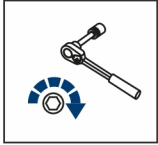
**For: Kawasaki Mule PRO-MX (2019- )**

2444.6915.1





EN Regular fasteners  
DE Originale montageteile



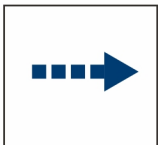
EN Regular fasteners  
DE Originale montageteile



EN Screw a several turns  
DE Für wenigen Umdrehungen befestigen



EN Loosen bolts  
DE Bolzen lockern



EN Movement Arrow  
DE Bewegungsrichtung

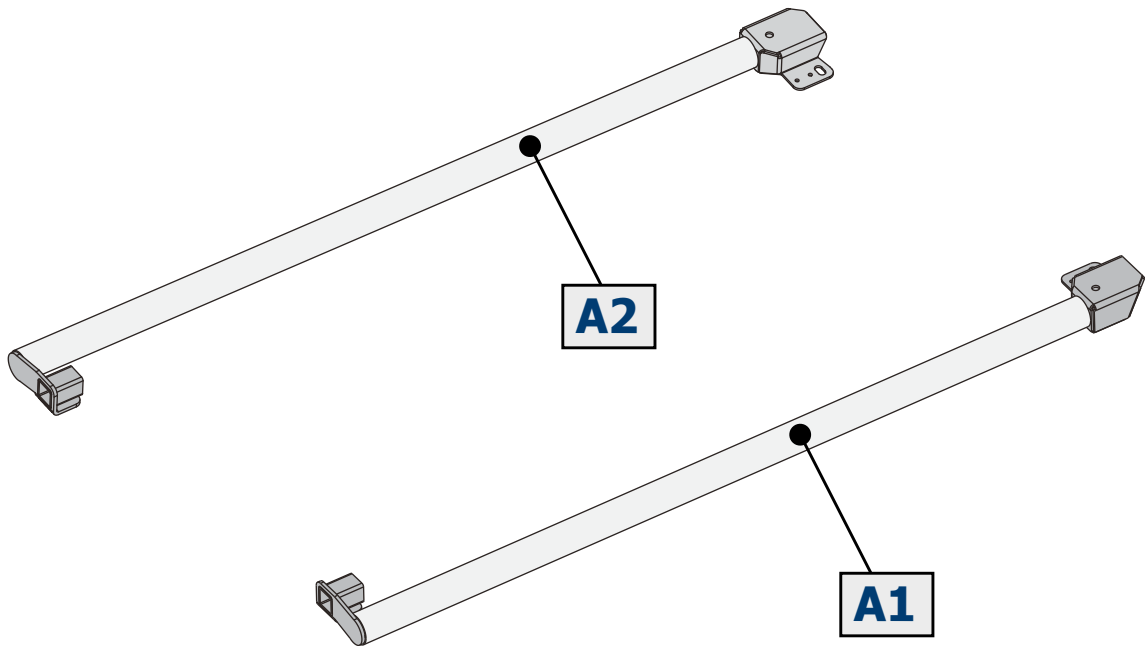


EN Location/Position Arrow  
DE Anordnung/Positionsrichtung

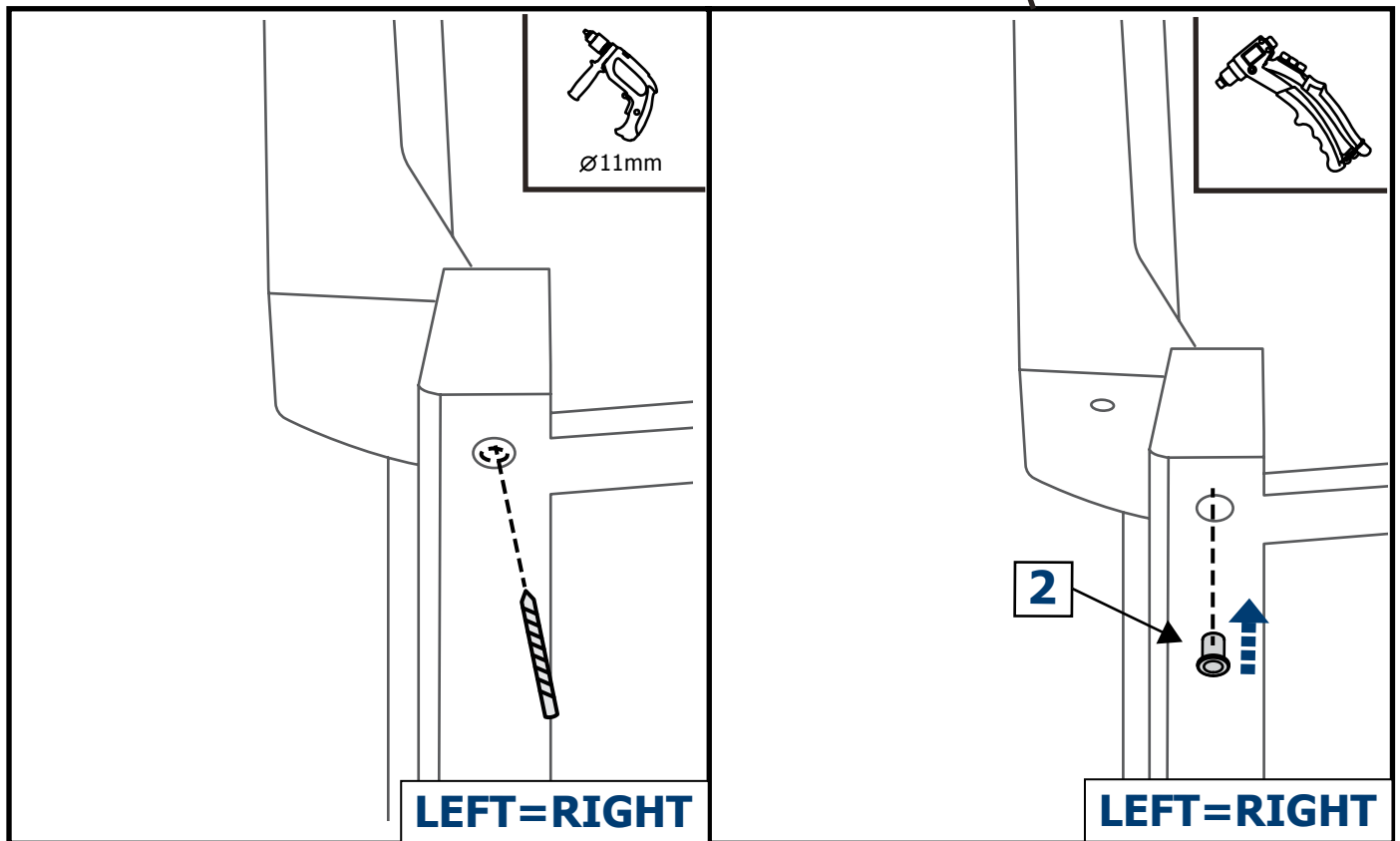
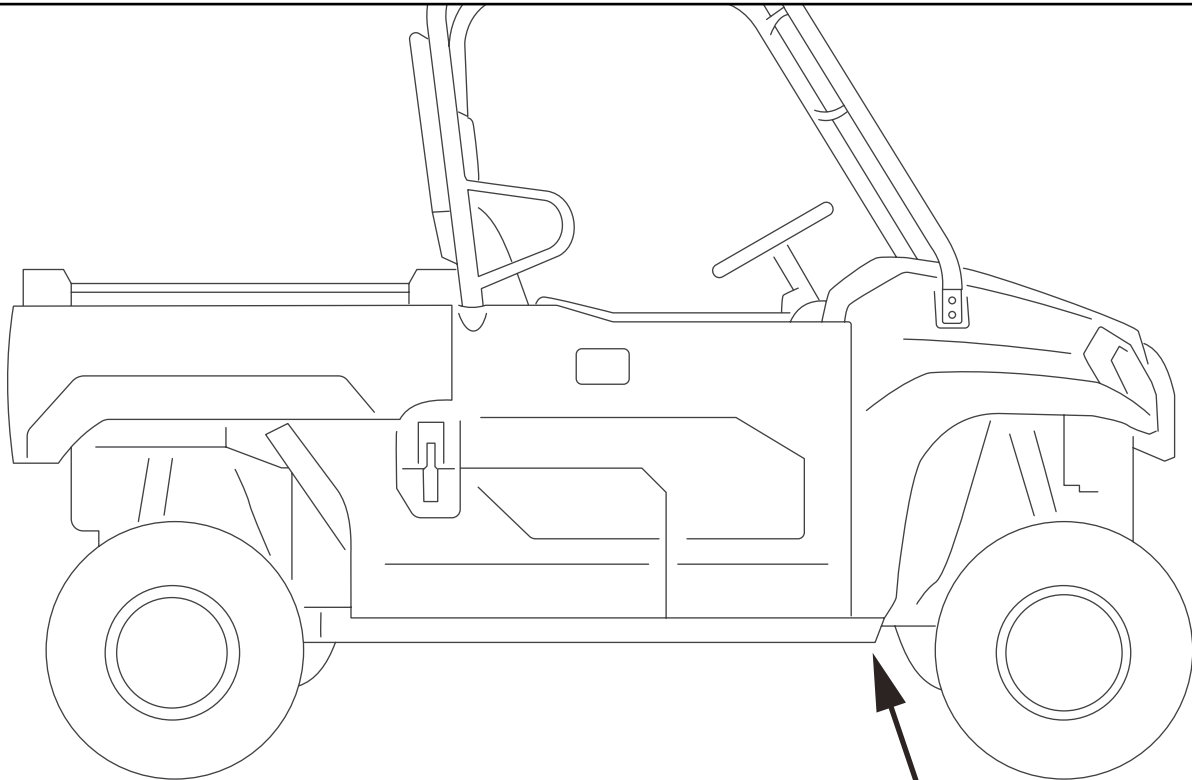


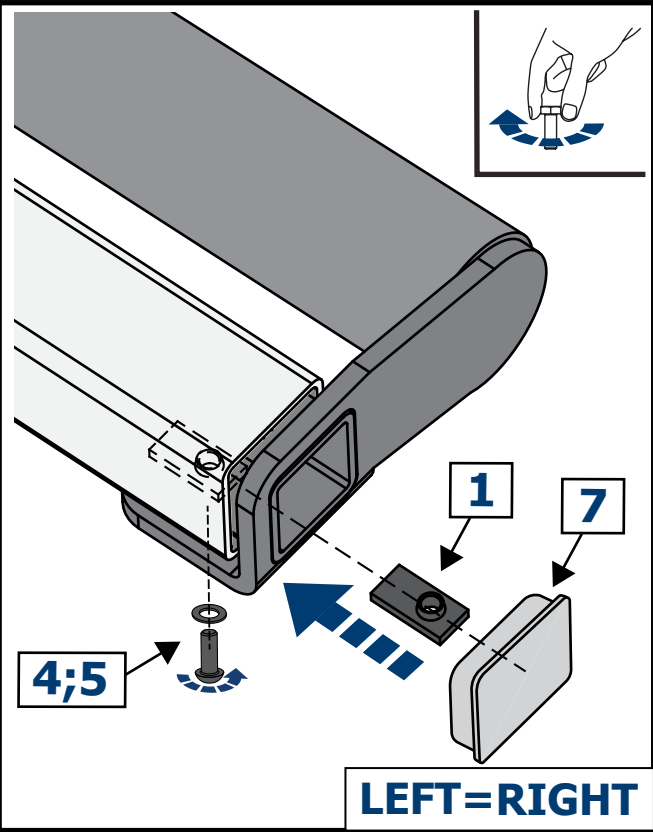
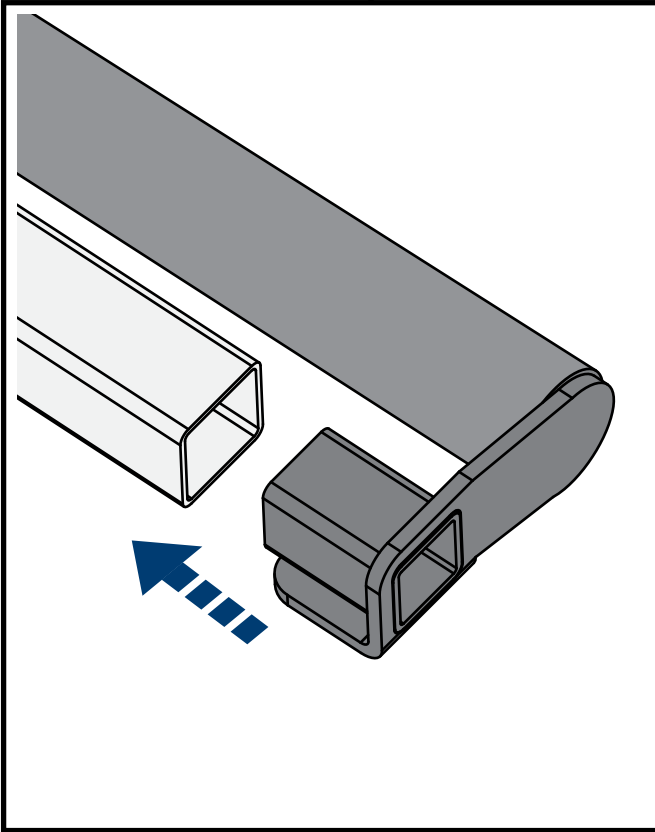
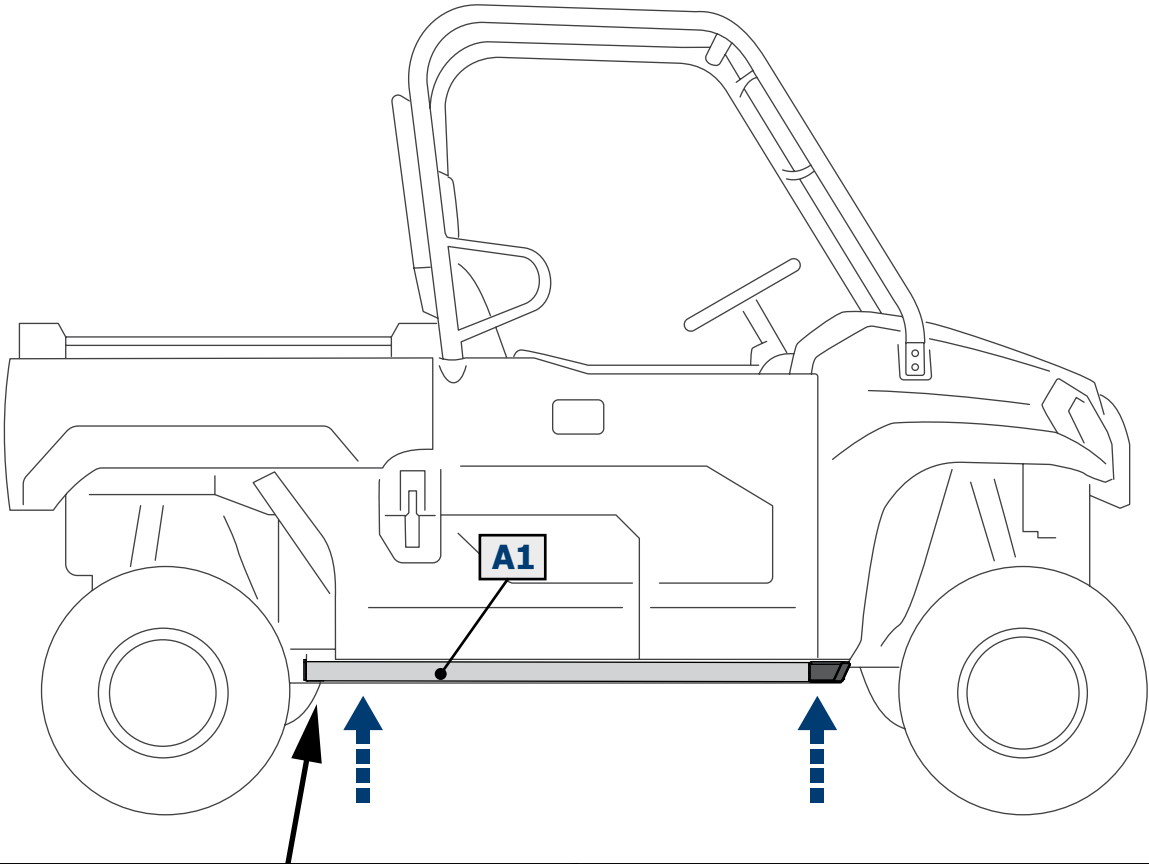
EN Screw Arrow  
DE Drehungsrichtung

|                       |       |                          |        |                      |                                     |                                      |
|-----------------------|-------|--------------------------|--------|----------------------|-------------------------------------|--------------------------------------|
| EN Drill<br>DE Bohrer | Ø11mm | EN Ratchet<br>DE Ratsche | S - 19 | TORX S - 4;<br>S - 5 | EN Hand Riveter<br>DE Handnietzange | EN Screwdriver<br>DE Schraubendreher |
|-----------------------|-------|--------------------------|--------|----------------------|-------------------------------------|--------------------------------------|

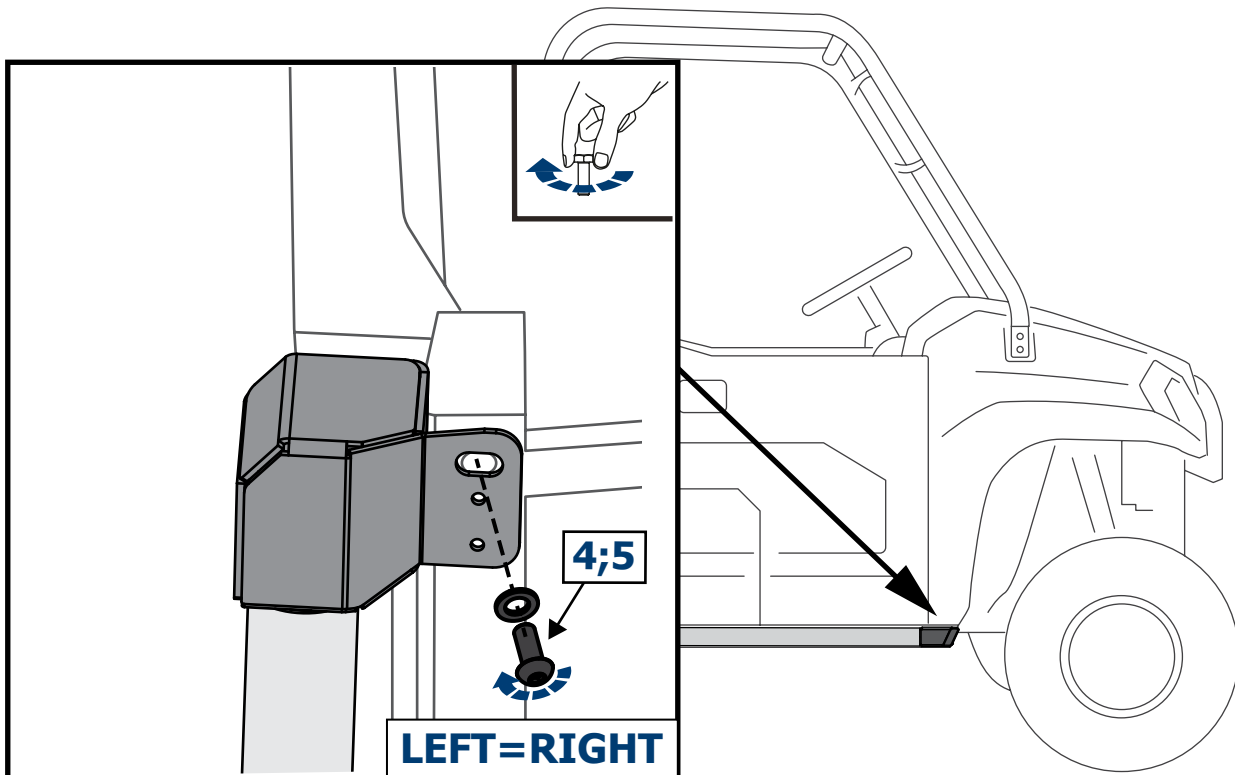


|                       |                       |                           |                          |                       |                       |
|-----------------------|-----------------------|---------------------------|--------------------------|-----------------------|-----------------------|
| <b>1</b><br><br>M8 x2 | <b>2</b><br><br>M8 x2 | <b>3</b><br><br>3,9x11 x4 | <b>4</b><br><br>M8x20 x4 | <b>5</b><br><br>Ø8 x4 | <b>6</b><br><br>Ø5 x4 |
| <b>7</b><br><br>x2    |                       |                           |                          |                       |                       |

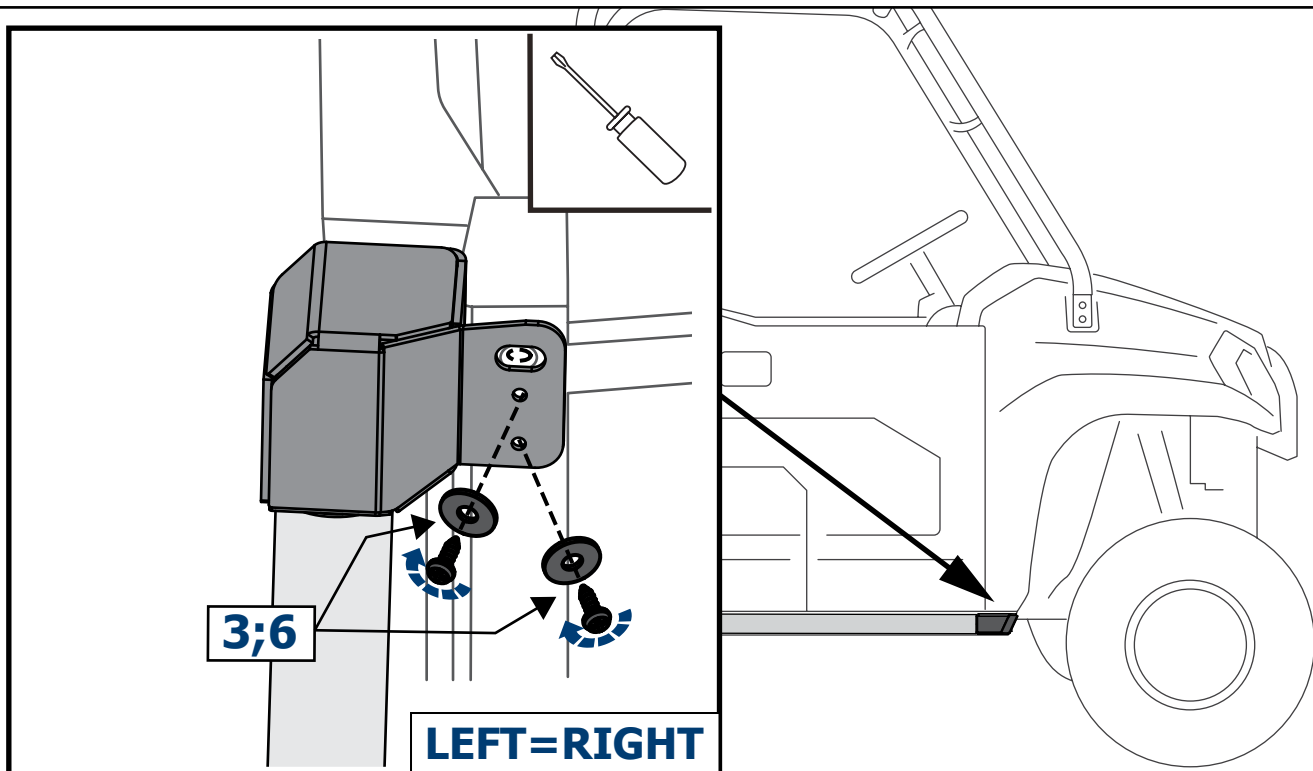
**Installation option N°1**

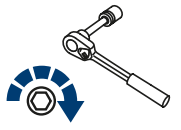
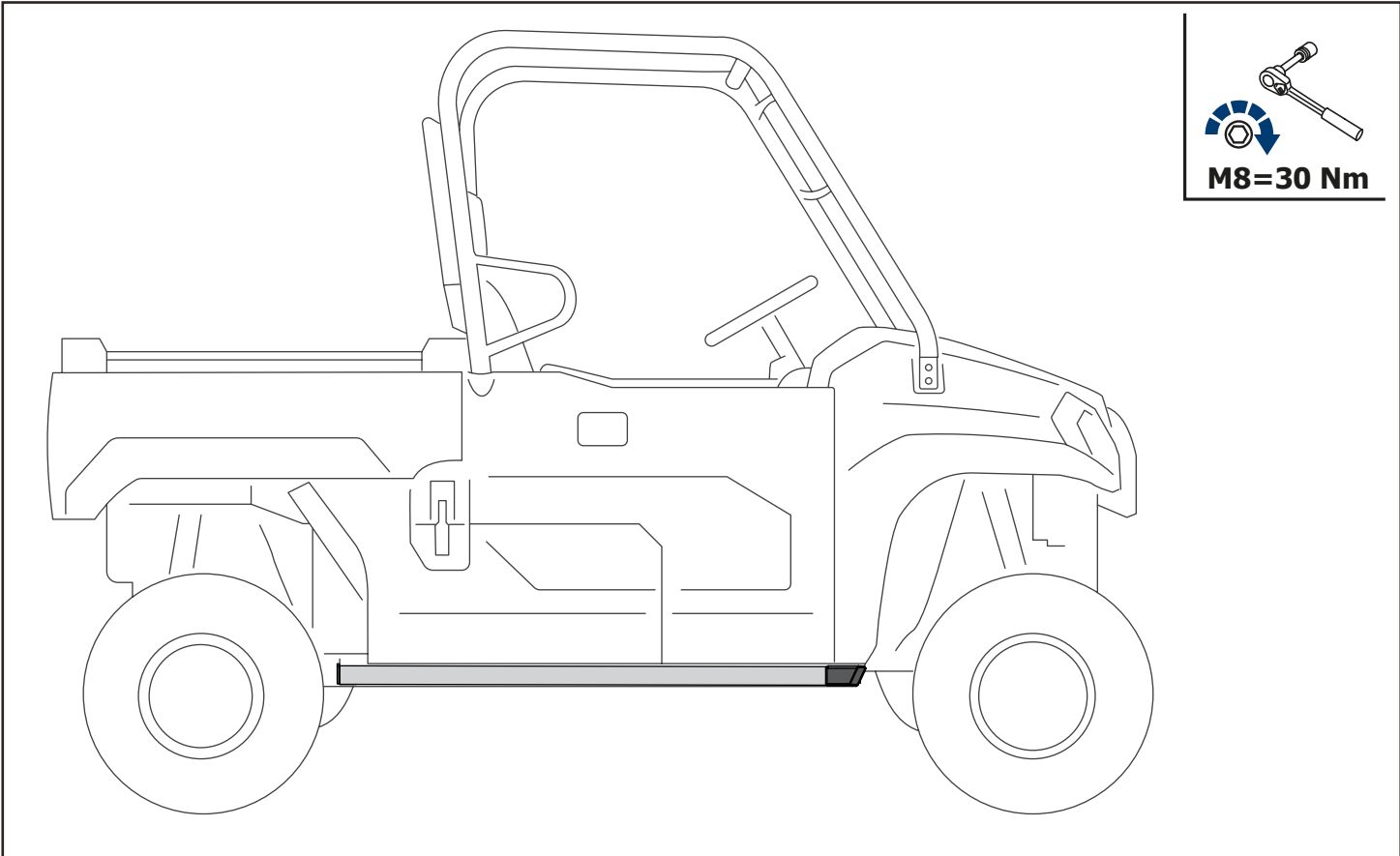


## Installation option N°1



## Installation option N°2





**M8=30 Nm**