

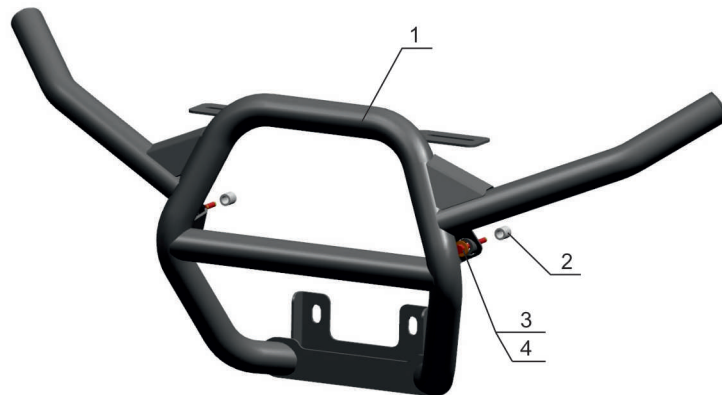
## CF MOTO / ZFORCE 500 / 800 / 1000

**Part No:** 2444.6879.1 Front bumper  
**Brand:** CF MOTO  
**Model:** ZFORCE 800 (2013-), ZFORCE 500 (2016-),  
ZFORCE 1000 (2018)  
**Material:** Tubular steel  $\varnothing 38 \times 1,5$  mm



### Content

|                    |       |
|--------------------|-------|
| 1. Bumper.....     | 1 pc. |
| 2. Hub.....        | 2 pc. |
| 3. Bolt M6x60..... | 2 pc. |
| 4. Washer 6.....   | 2 pc. |



## Installation Instructions

1. Unscrew lower bolts from the rubber bumper covers.
2. Remove the roller fairlead.
3. Install the bolts M6x60 no.3 with washers no.4 to the holes of the bumper.
4. Mount the bumper on the front part of the vehicle. Fix upper part of the bumper to the fixing points of the rubber bumper covers using bolts M6x60 no.3 through hubs no.2.
5. Fix lower part of the bumper using the original bolts of the roller fairlead. Install the roller fairlead over the bumper fixing bracket.
6. Tighten all screws.

### TOOLS REQUIRED



### SCREW FORCE

