

CF Moto Z8

Part NO: 2444.6878.1
Brand: CF Moto
Model: Z8
Year: 2013-
Material: Al, 3 mm

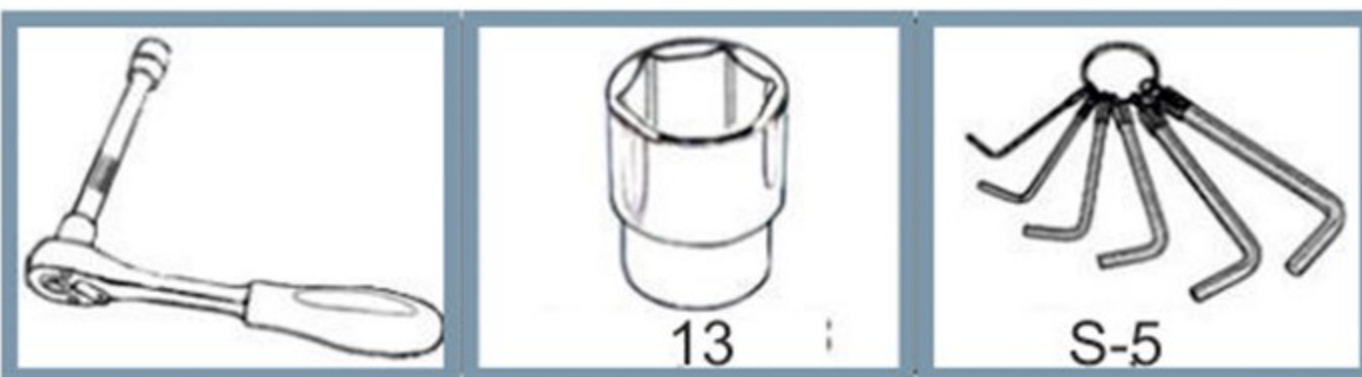
PARTS LISTING

1. Roof.....	1 pc
2. Screw M8x25.....	4 pc
3. Nut M8.....	4 pc
4. Washer 8.....	8 pc
5. Sealant.....	1 pc

INSTALLATION MANUAL

1. Place roof no.1 to the vehicle cage. Mark the position of the roof sealant, and then remove the roof. Degrease and heat the surface of the roof and then stick roof sealant no.5 (see pic.)
2. Mount the roof to the vehicle cage, and then fix it using screws M8x25 no.2, nuts M8 no.3 and washers 8 no.4.
3. Tighten all screws.

TOOLS REQUIRED



SCREW FORCE

