

EN SKID PLATE INSTALLATION MANUAL

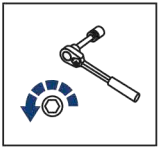
DE MONTAGEEINLEITUNG FÜR UNTERBODENSCHUTZSYSTEM



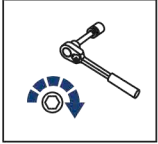
**For: Honda Pioneer 700 (2014- )**

2444.2155.1

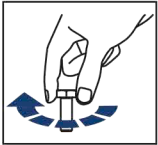




EN Regular fasteners  
DE Originale montageile



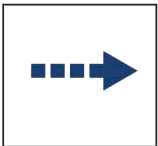
EN Regular fasteners  
DE Originale montageile



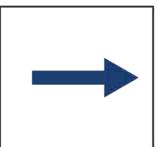
EN Screw a several turns  
DE Für wenigen Umdrehungen befestigen



EN Loosen bolts  
DE Bolzen lockern



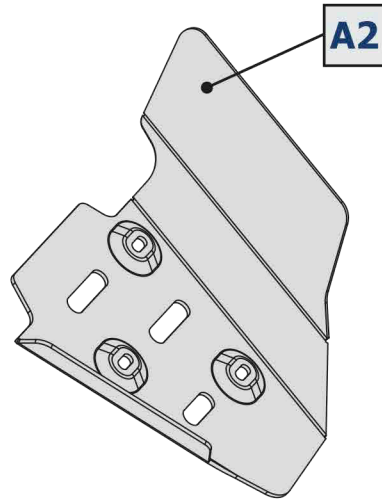
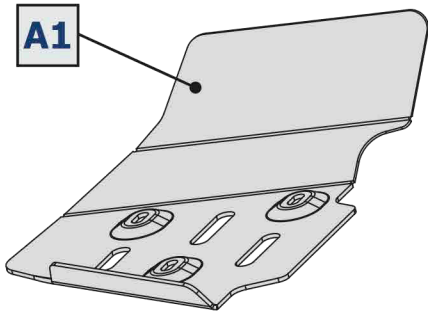
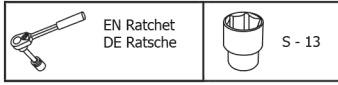
EN Movement Arrow  
DE Bewegungsrichtung

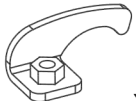




EN Location/Position Arrow  
DE Anordnung/Positionsrichtung

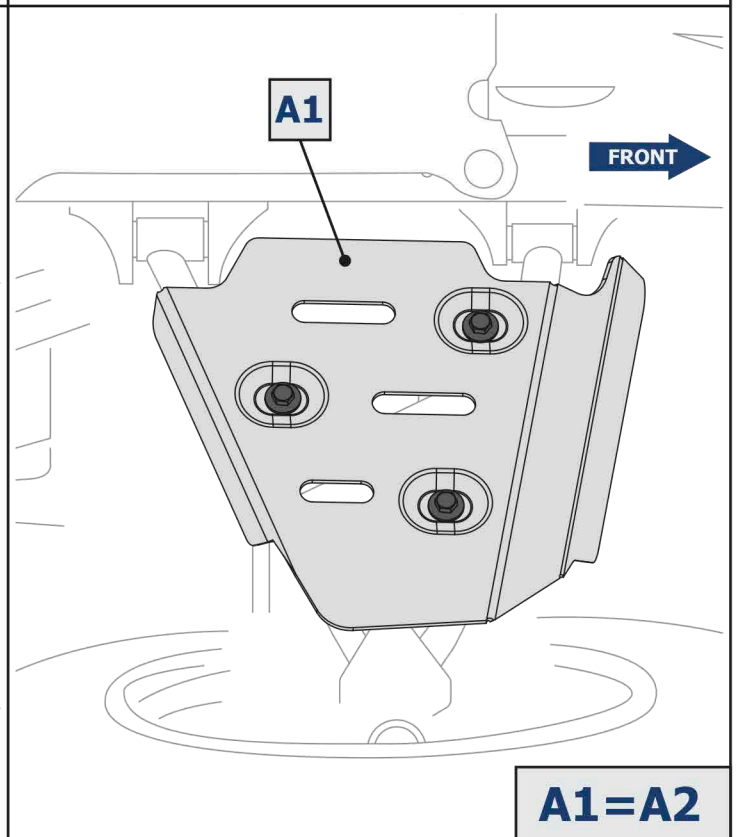
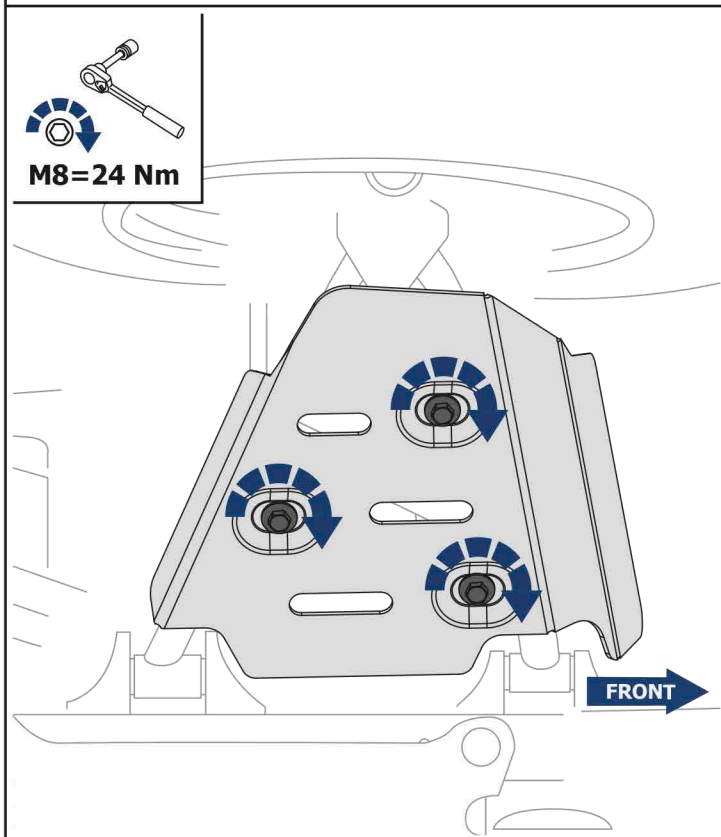
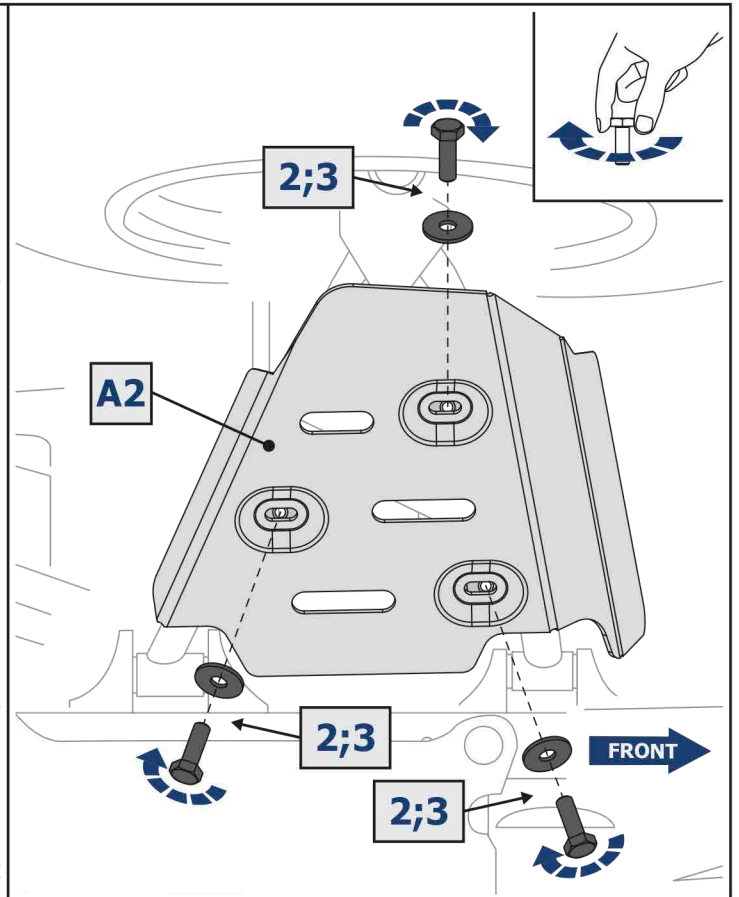
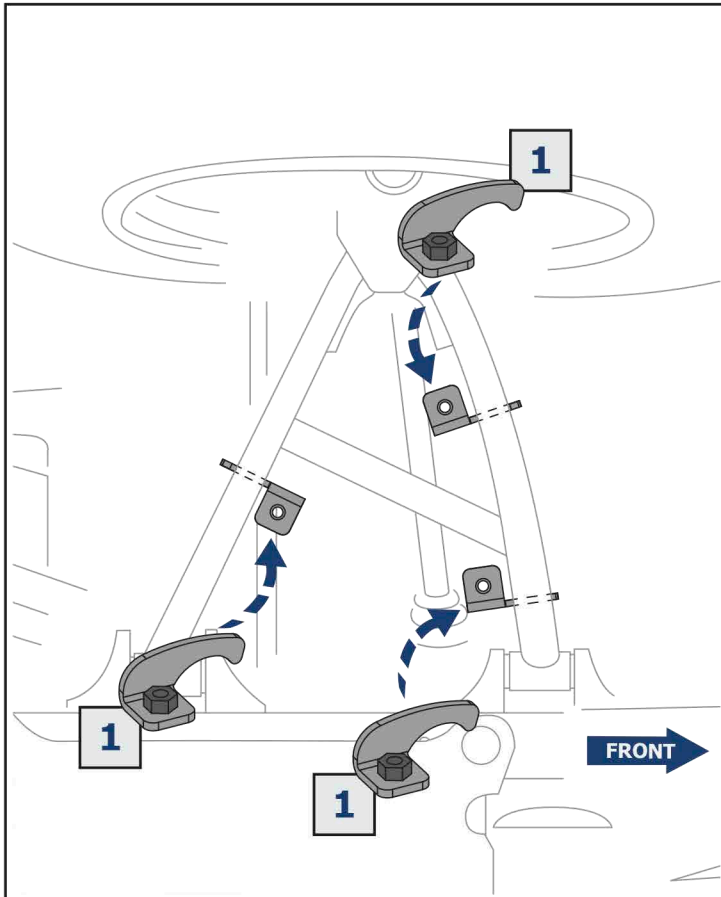


EN Screw Arrow  
DE Drehungsrichtung



<b>1</b>		<b>2</b>		<b>3</b>	
	x6	M8x25	x6	ø8	x6

PRE-INSTALLATION: LAY OUT COMPONENTS AND COMPARE TO LIST AND IMAGES. IMAGES MAY NOT PORTRAY THE FULL DETAIL OR EXACT SHAPE OF THE PARTS; HOWEVER, THEY REPRESENT PARTS THAT HAVE SAME OR SIMILAR FUNCTION.



TIP: PERIODICALLY CHECK ALL HARDWARE AND RE-TIGHTEN IF NEEDED.