

Radiator relocation kit Honda TRX 680

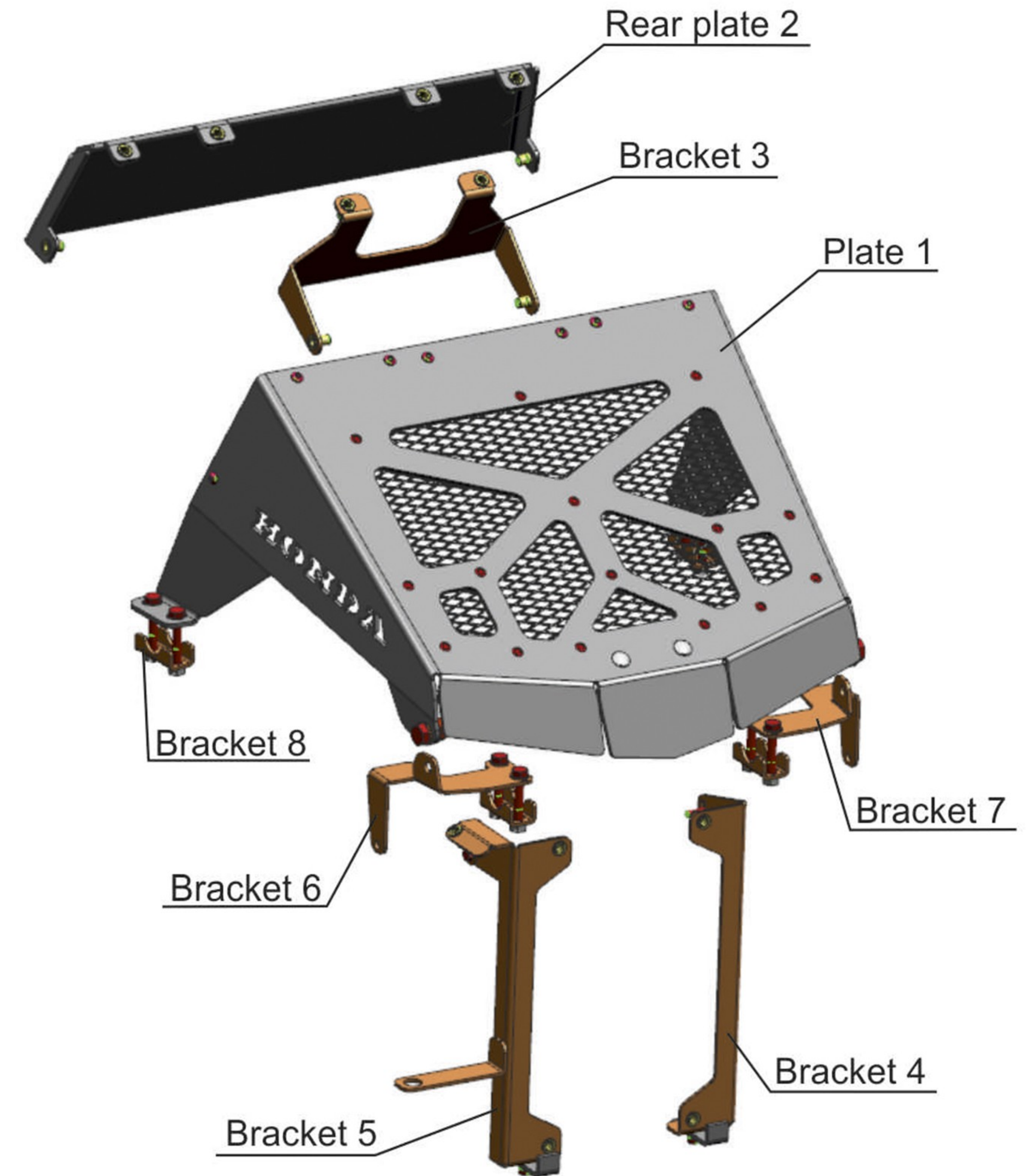
Part No.: 2444.2106.1

Content

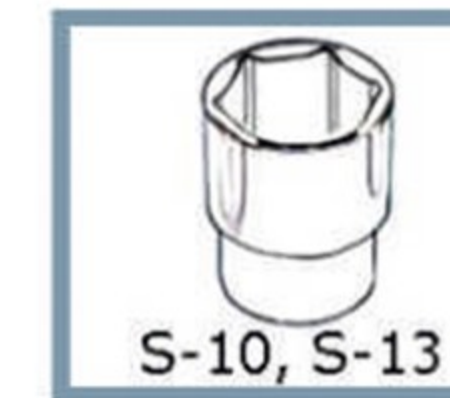
1. Plate.....	1 pc.	13. Washer 6.....	10 pc.
2. Rear plate.....	1 pc.	14. Washer 8.....	4 pc.
3. Bracket.....	1 pc.	15. Washer 10.....	6 pc.
4. Bracket.....	1 pc.	16. Nut M10.....	2 pc.
5. Bracket.....	1 pc.	17. Insert nut M10.....	2 pc.
6. Bracket.....	1 pc.	18. Hose d18.....	1,5 m
7. Bracket.....	1 pc.	19. Hose d7.5.....	1 m
8. Bracket.....	4 pc.	20. Silicon tube d5.....	1 m
9. Bolt M6x20.....	2 pc.	21. Adapter d18x18.....	2 pc.
10. Bolt M8x50.....	8 pc.	22. Clamp d30.....	6 pc.
11. Bolt M10x20.....	4 pc.	23. Clamp d12.....	2 pc.
12. Screw M6x16.....	8 pc.		

Installation Instructions

1. Mount brackets no. 4, 5 instead of radiator, remove rubber radiator dampers, then fix to the frame with bolts M10 no.11, washers no.15, insert nuts no.17 through the original apertures, and to the original threaded apertures of the frame with bolts M6 no.9, washers no.13.
2. Mount oil radiator on the brackets no.4, 5 with original bolts. Mount expansion tank on the bracket no.5 using the original rubber damper.
3. Mount brackets no. 6, 7 to the ATV front rack using brackets no.8, bolts M8 no.10, washers no.14 and reflector holders.
4. Place radiator on inside of the plate no.1 using the original rubber dampers, and then fix it with bracket no.3 and original bolts. Fix bracket no.3 to plate no.1 with screws no.12, washers no.13.
5. Place hose no.18 from the radiator to disconnected pipes, connect them with adapters no.21, then fix them with clamps no.22. Place hose no.19 from the radiator to expansion tank, then fix with clamps no.23. Change original breather hose of the fan to silicon tube no.20.
6. Mount rear plate no.2 on plate no.1 with screws no.12, washers no.13.
7. Fix plate no.1 with mounted radiator to brackets no.6, 7 with bolts M10 no.11, nuts no.16, washers no.15. Fix back side of plate no.1 to the ATV rack with bolts M8 no.10, washers no.14, brackets no.8.
8. Tighten all the screws.



TOOLS REQUIRED



SCREW FORCE

