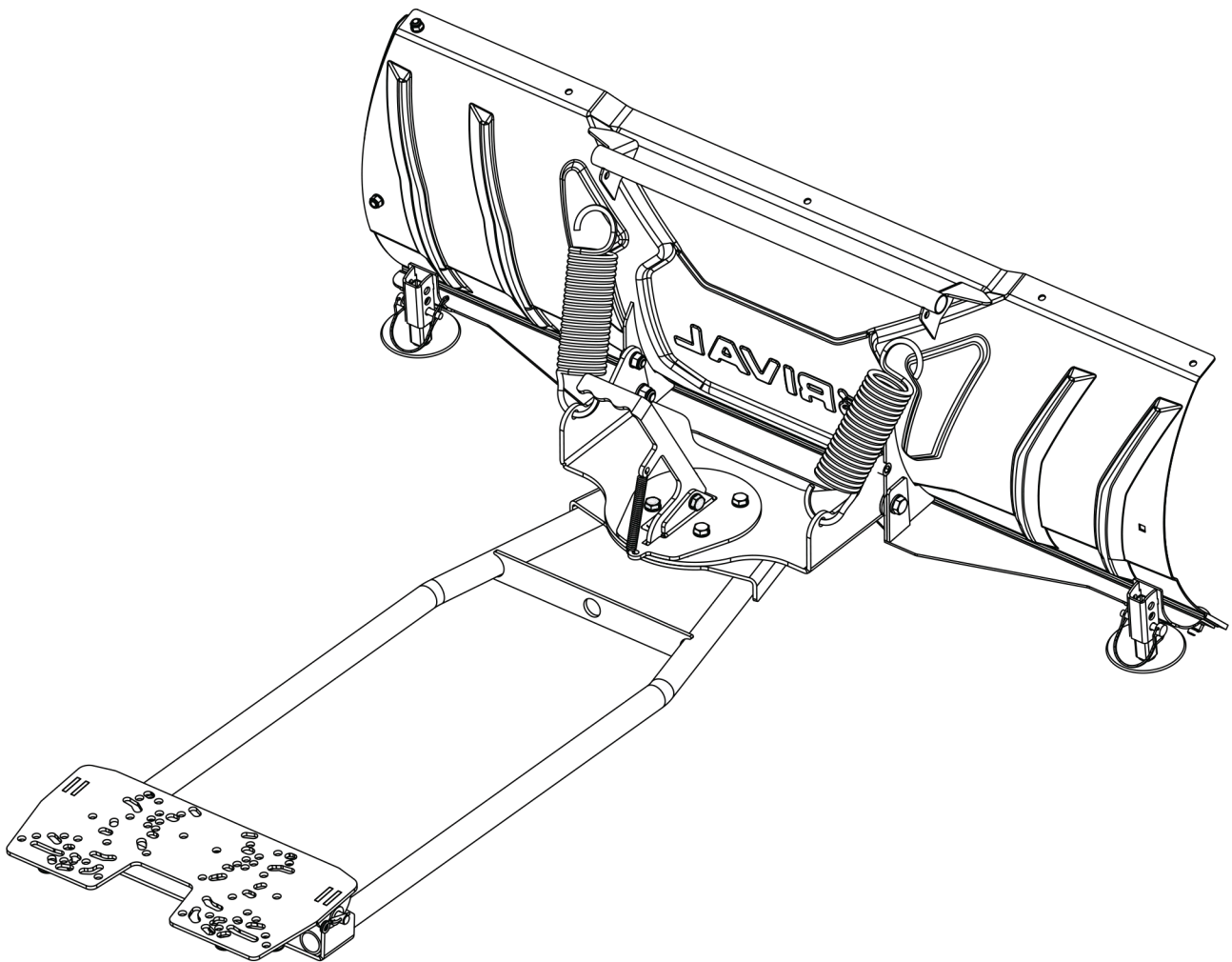


EN

## RIVAL STANDARD SNOW PLOW 48" INSTALLATION MANUAL

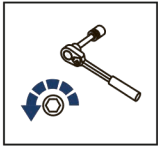
DE

ANWEISUNGEN ZUM INSTALLIEREN EINER  
MONTAGEPLATTFORM ZUM INSTALLIEREN EINES SCHNEEPFLUGS

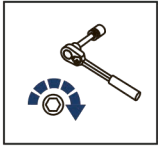


## RIVAL STANDARD SNOW PLOW 48"

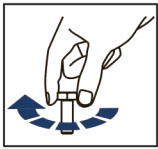
2444.0106.1



EN Regular fasteners  
DE Originale montageile



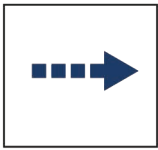
EN Regular fasteners  
DE Originale montageile



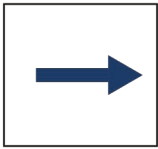
EN Screw a several turns  
DE Für wenigen Umdrehungen befestigen



EN Loosen bolts  
DE Bolzen lockern



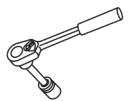
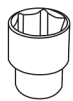


EN Movement Arrow  
DE Bewegungsrichtung

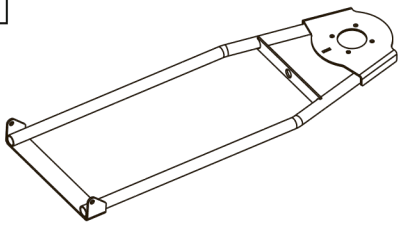
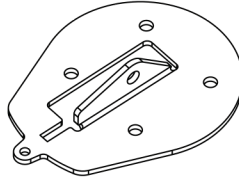
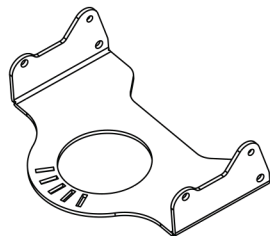
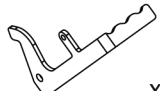
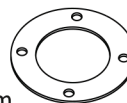
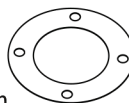
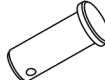
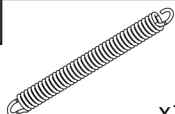

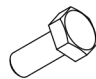
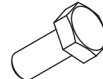




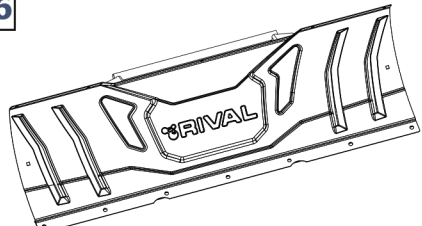

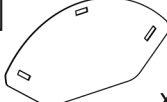
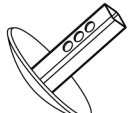






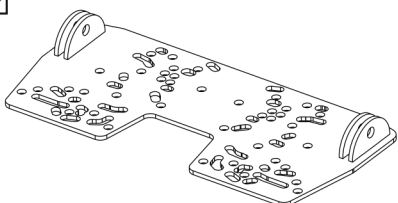
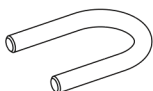
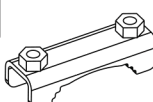
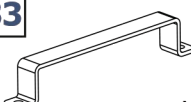
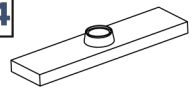
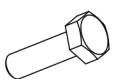
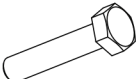




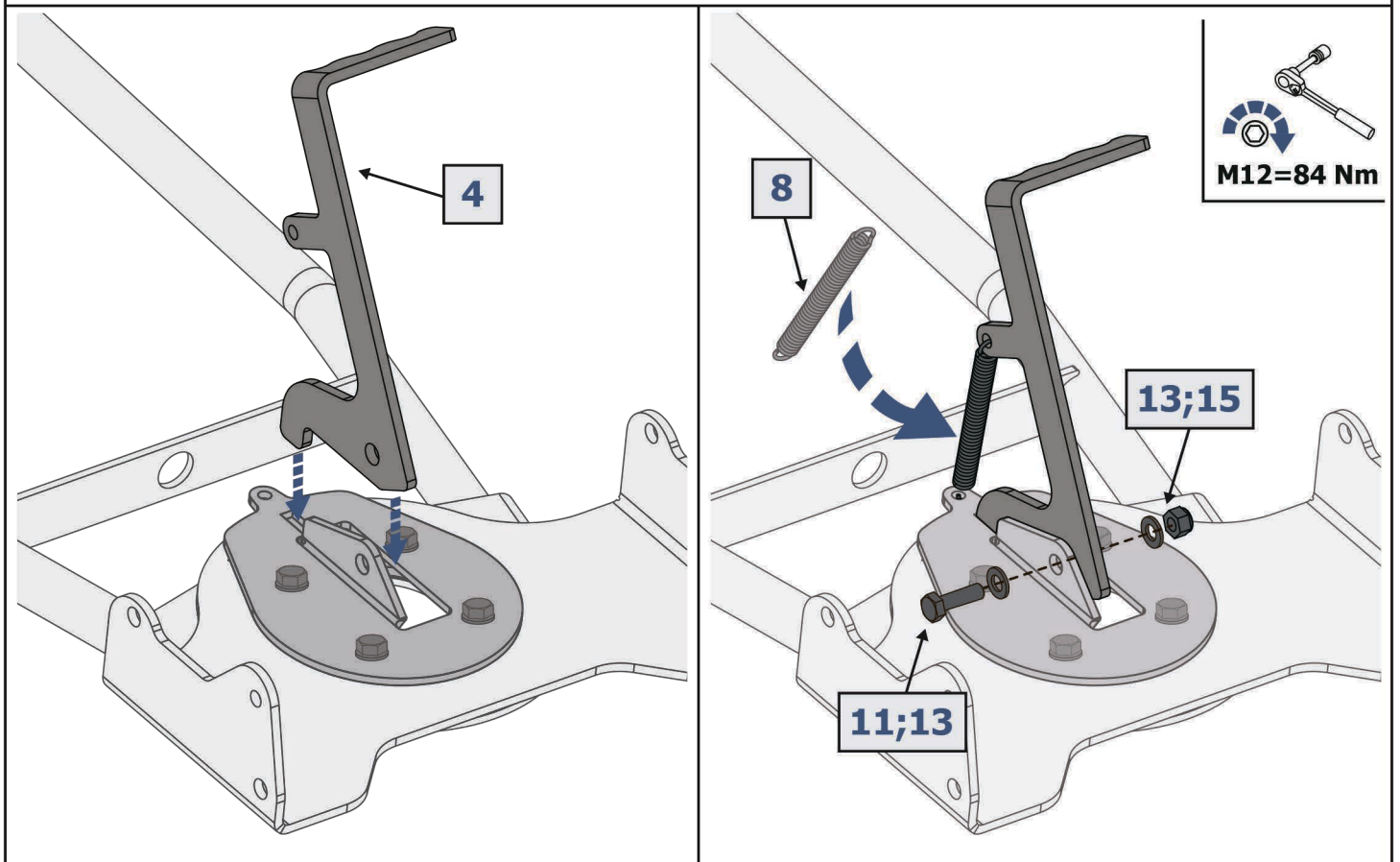
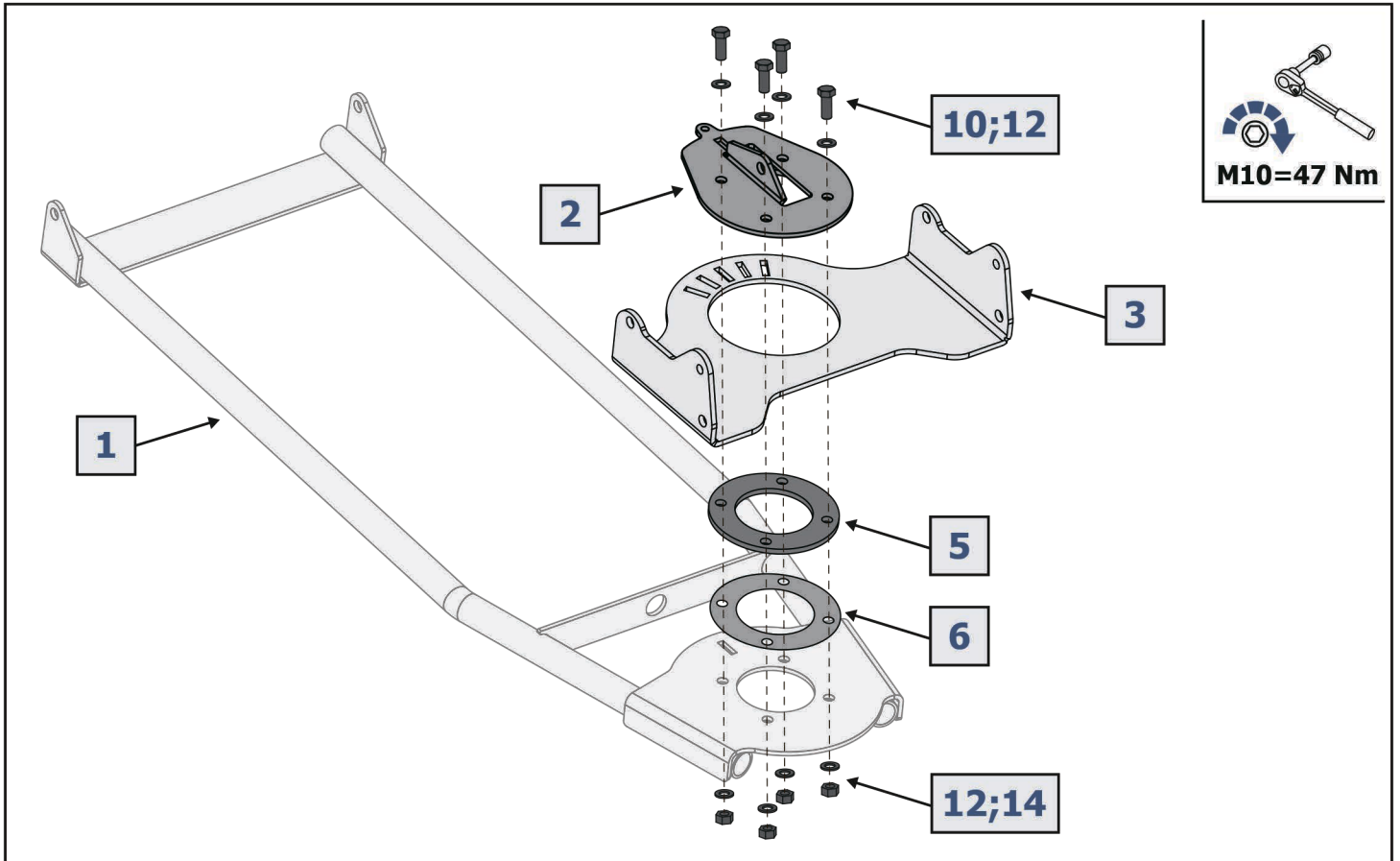
EN Location/Position Arrow  
DE Anordnung/Positionsrichtung



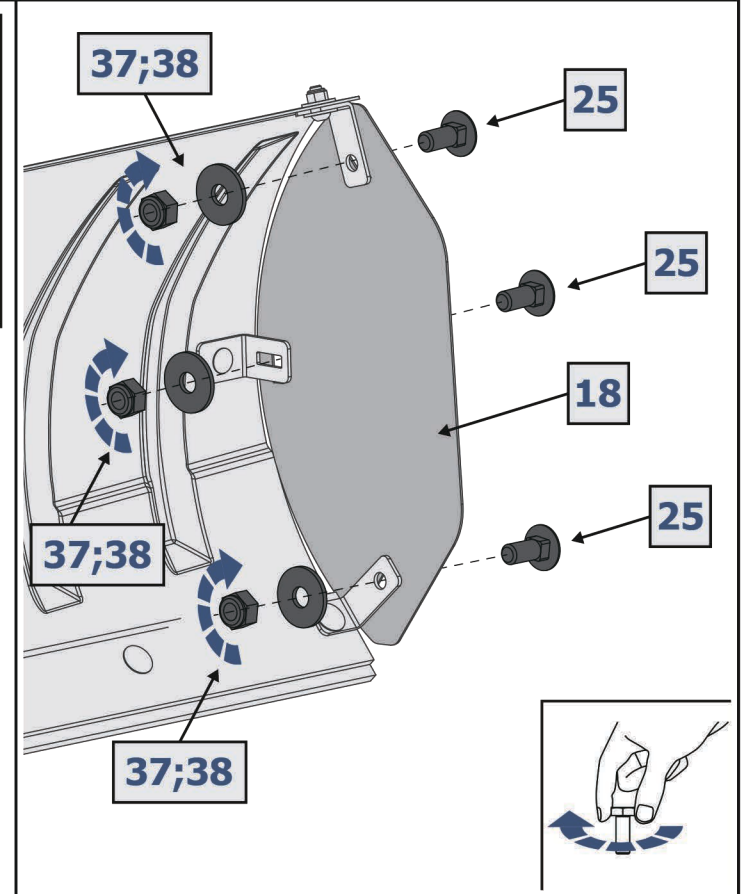
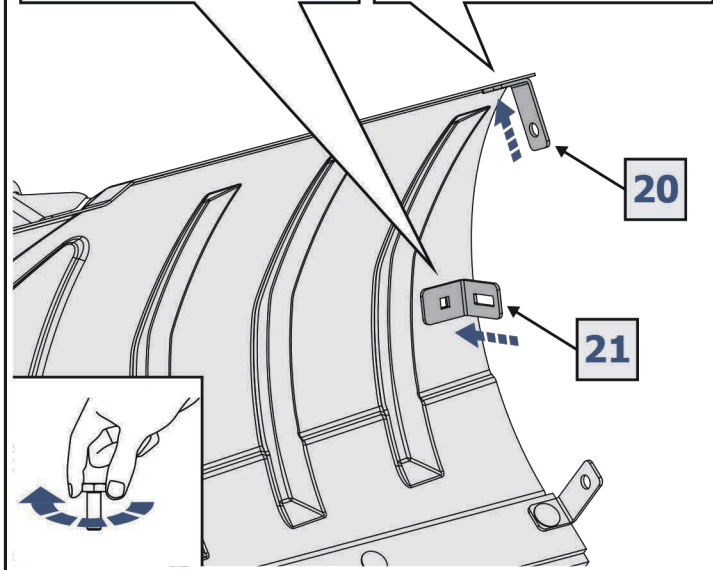
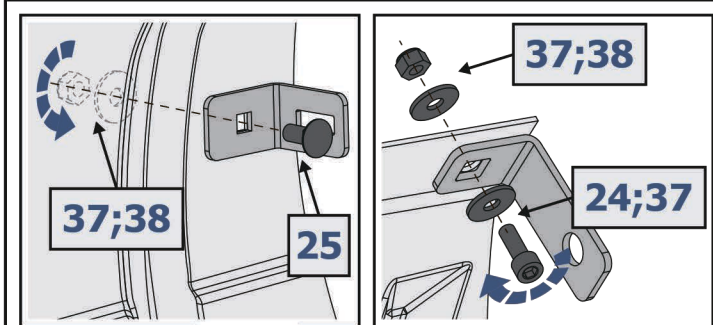
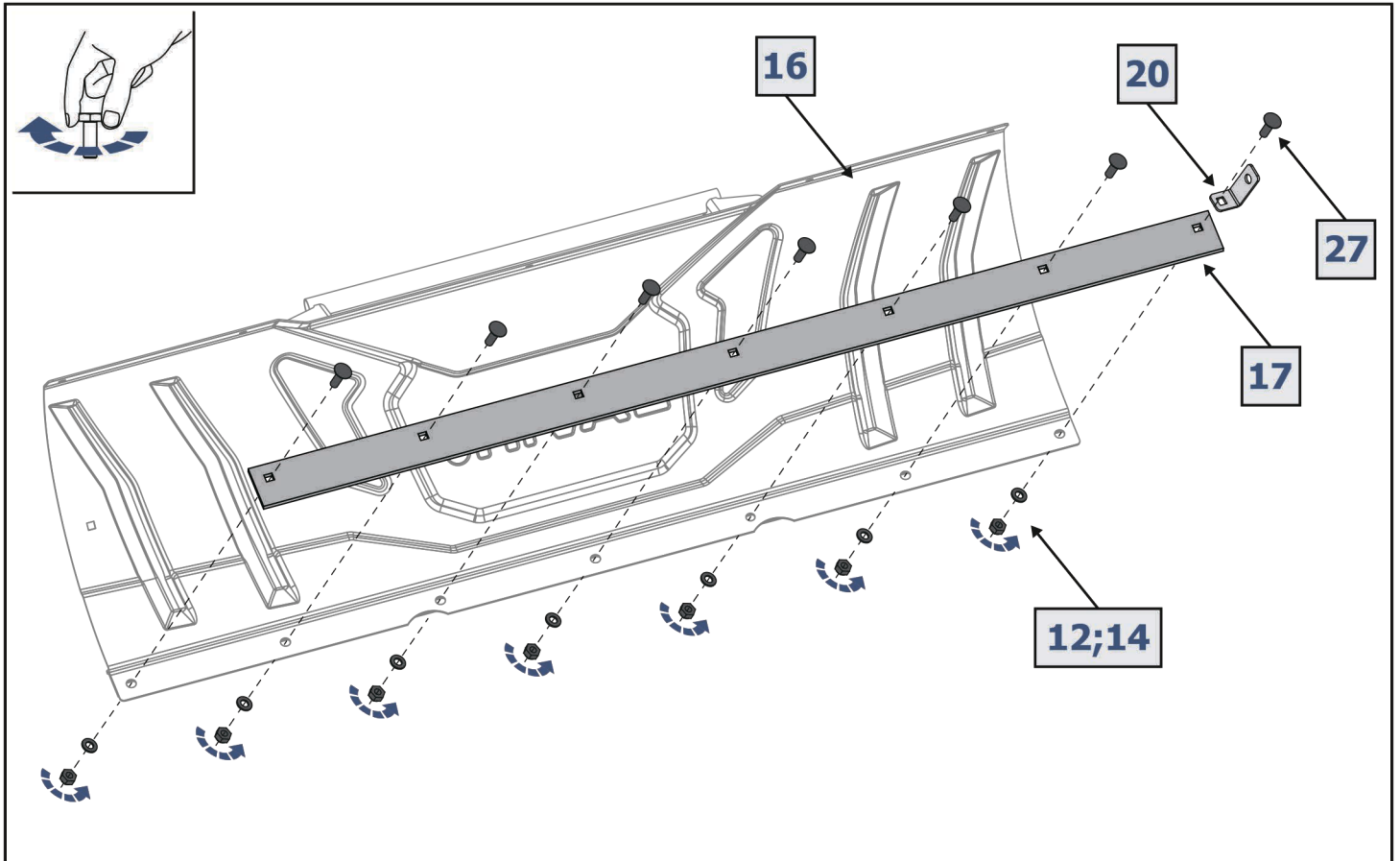
EN Screw Arrow  
DE Drehungsrichtung

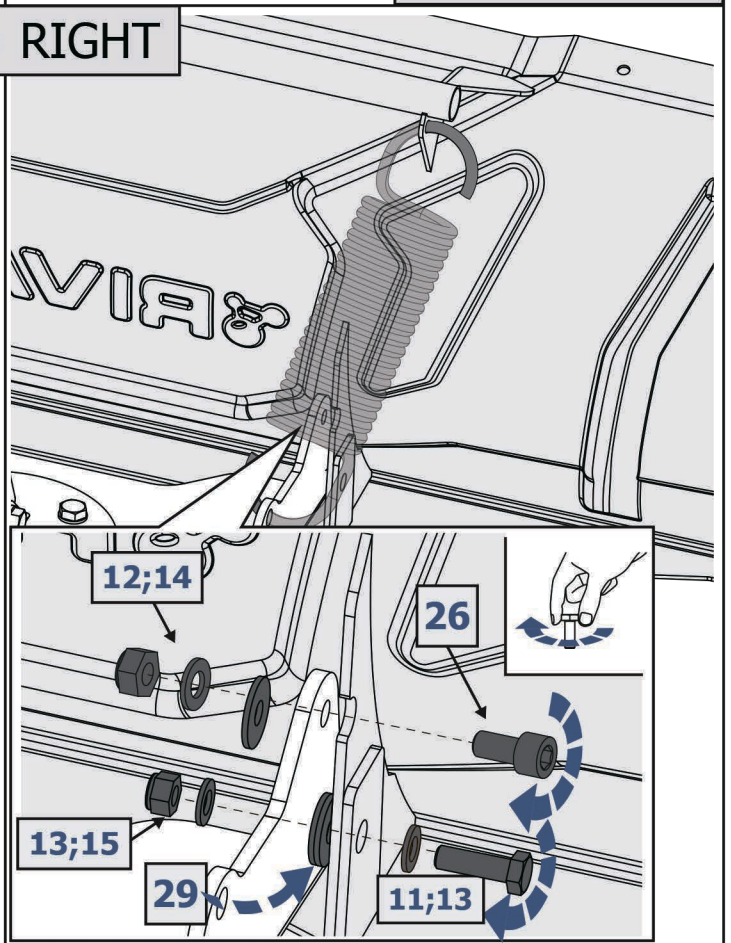
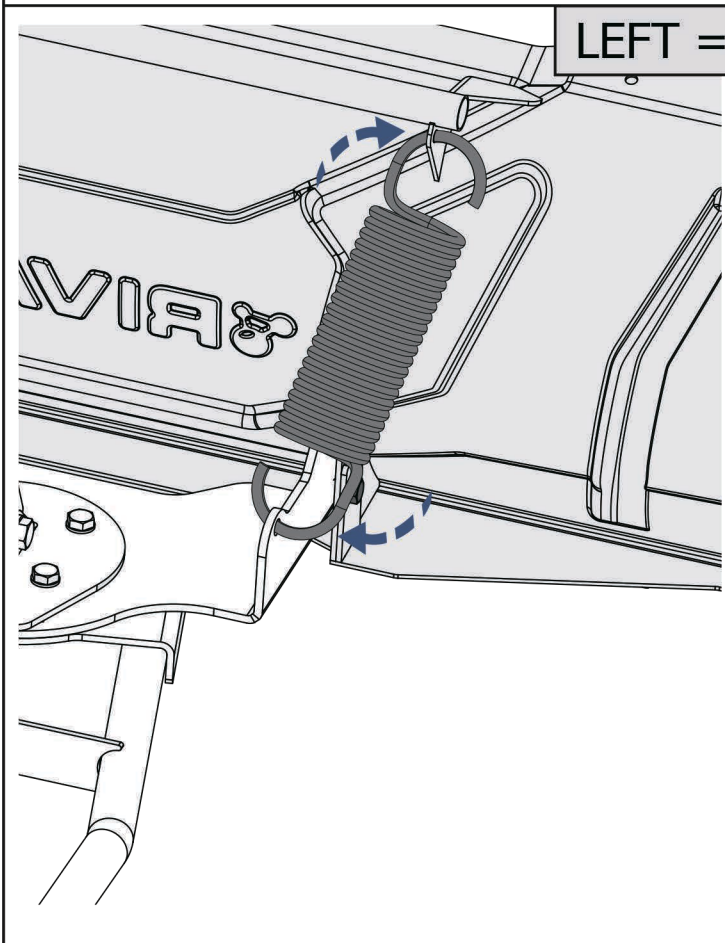
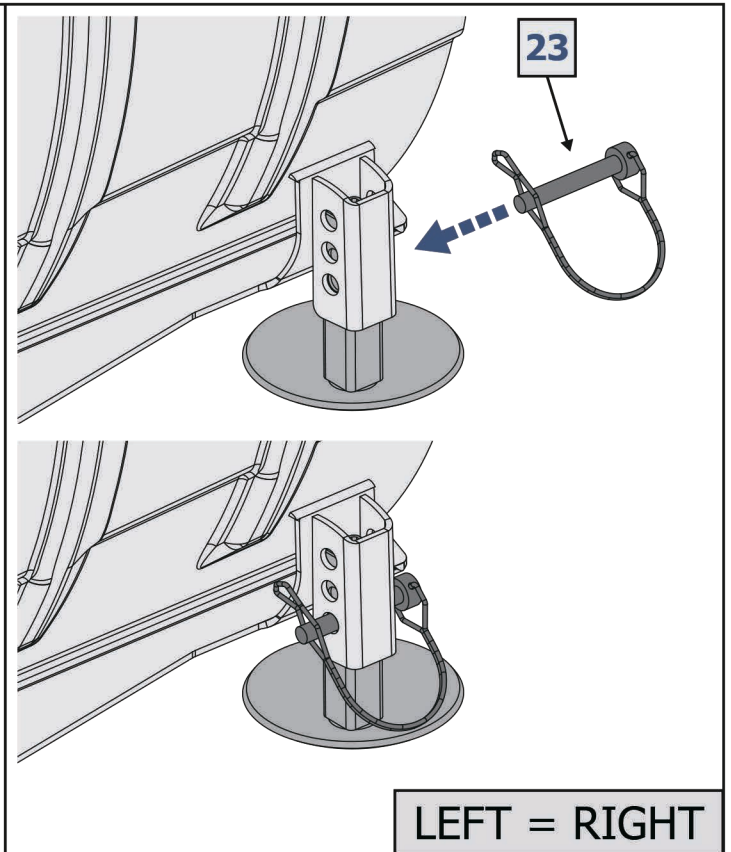
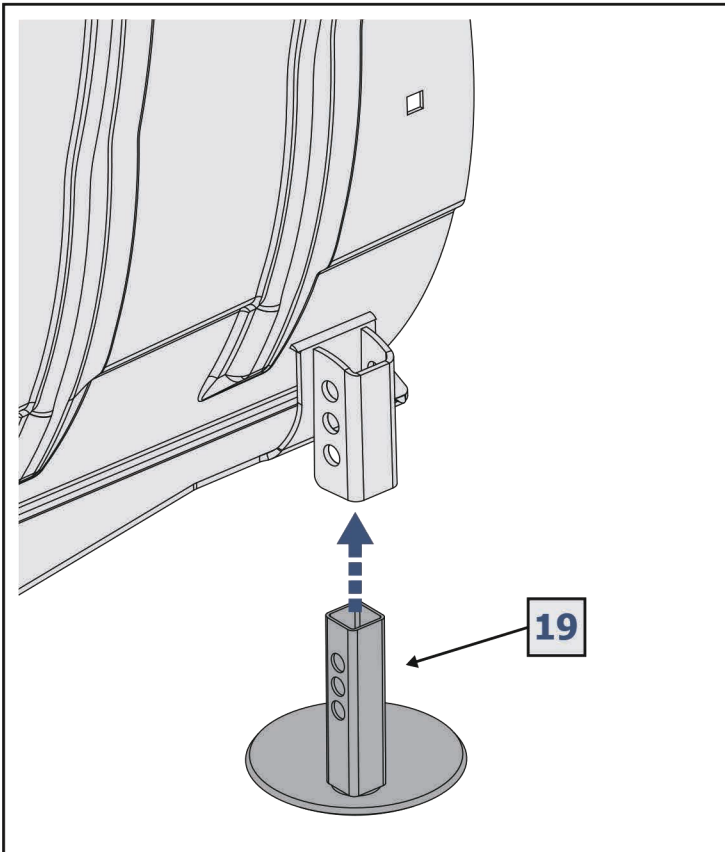
 <p>EN Ratchet DE Ratsche</p>	 <p>S - 13; S - 17; S - 19</p>	 <p>EN Slotted Screwdriver DE Schlitzschraubendreher</p>	 <p>HEX S - 6; S - 8</p>
--	---	---	---

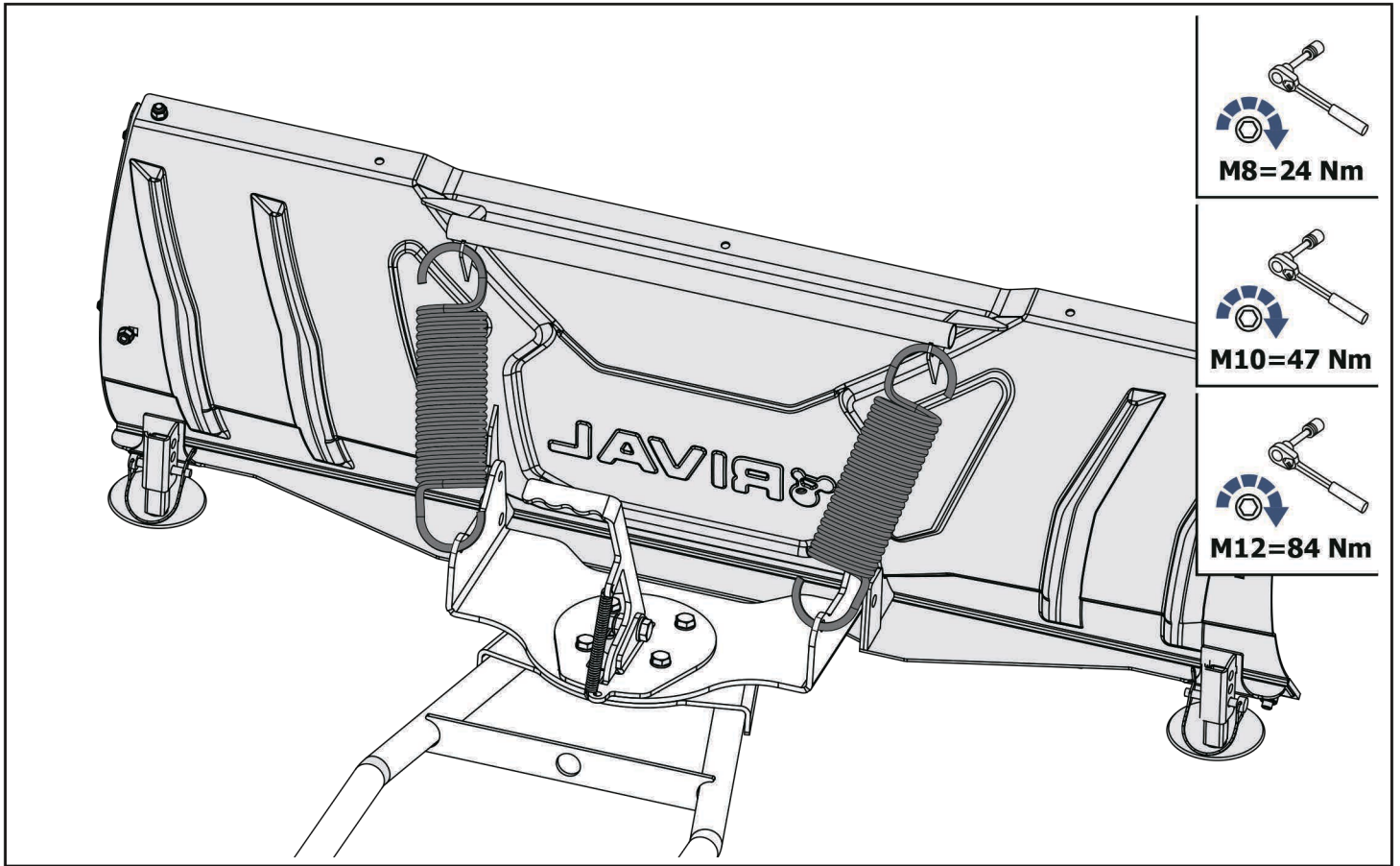
<b>1</b>  <p>x1</p>		<b>2</b>  <p>x1</p>		<b>3</b>  <p>x1</p>	
<b>4</b>  <p>x1</p>	<b>5</b>  <p>6mm x1</p>	<b>6</b>  <p>1mm x1</p>	<b>7</b>  <p>x2</p>	<b>8</b>  <p>x1</p>	<b>9</b>  <p>x2</p>
<b>10</b>  <p>M10x35 x4</p>	<b>11</b>  <p>M12x40 x3</p>	<b>12</b>  <p>ø10 x19</p>	<b>13</b>  <p>ø12 x8</p>	<b>14</b>  <p>M10 x15</p>	<b>15</b>  <p>M12 x3</p>
<b>16</b>  <p>x1</p>		<b>17</b>  <p>x1</p>		<b>18</b>  <p>x1</p>	<b>19</b>  <p>x2</p>
<b>24</b>  <p>M8x20 x1</p>		<b>25</b>  <p>M8x20 x4</p>		<b>26</b>  <p>M10x20 x2</p>	<b>27</b>  <p>M10x30 x9</p>
<b>28</b>  <p>ø8 x8</p>		<b>29</b>  <p>ø12 x4</p>		<b>30</b>  <p>x1</p>	
<b>31</b>  <p>x4</p>		<b>32</b>  <p>x4</p>		<b>33</b>  <p>x2</p>	<b>34</b>  <p>M8x60/30 x2</p>
<b>35</b>  <p>M8x30 x4</p>		<b>36</b>  <p>M8x60 x8</p>		<b>37</b>  <p>ø8 x10</p>	<b>38</b>  <p>M8 x13</p>





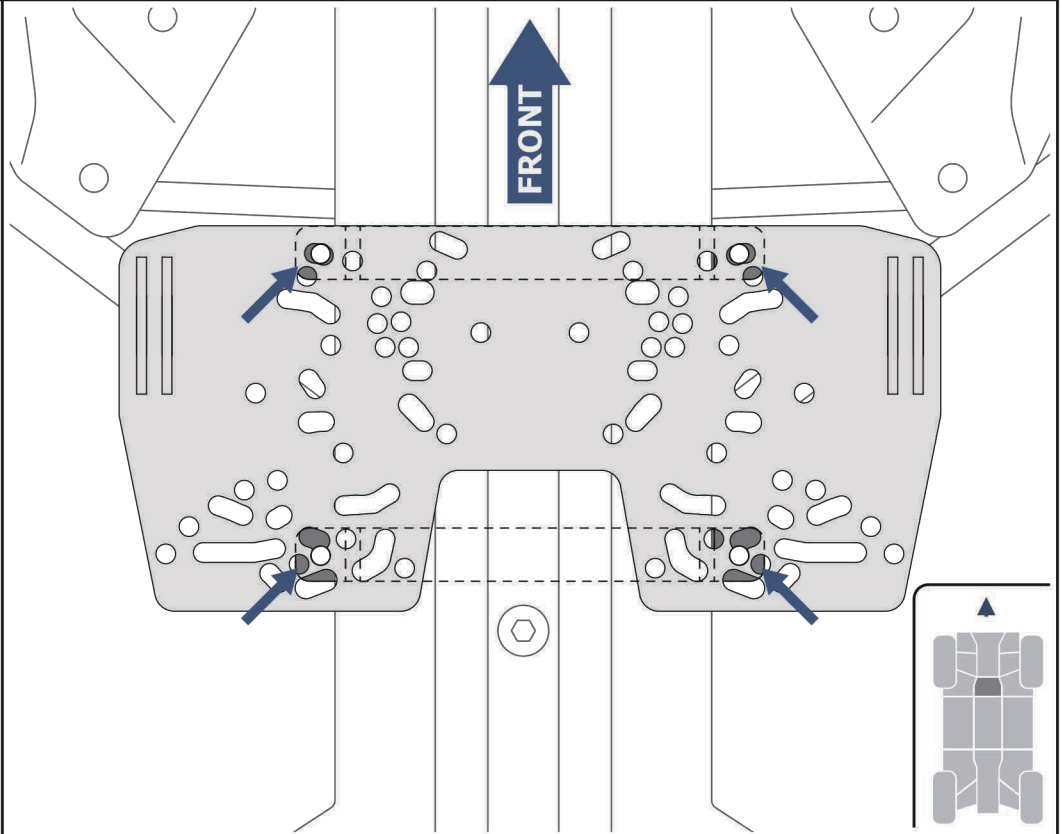
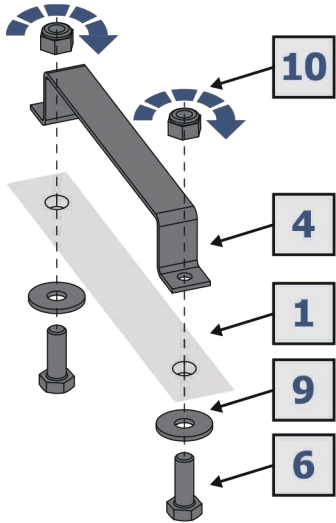




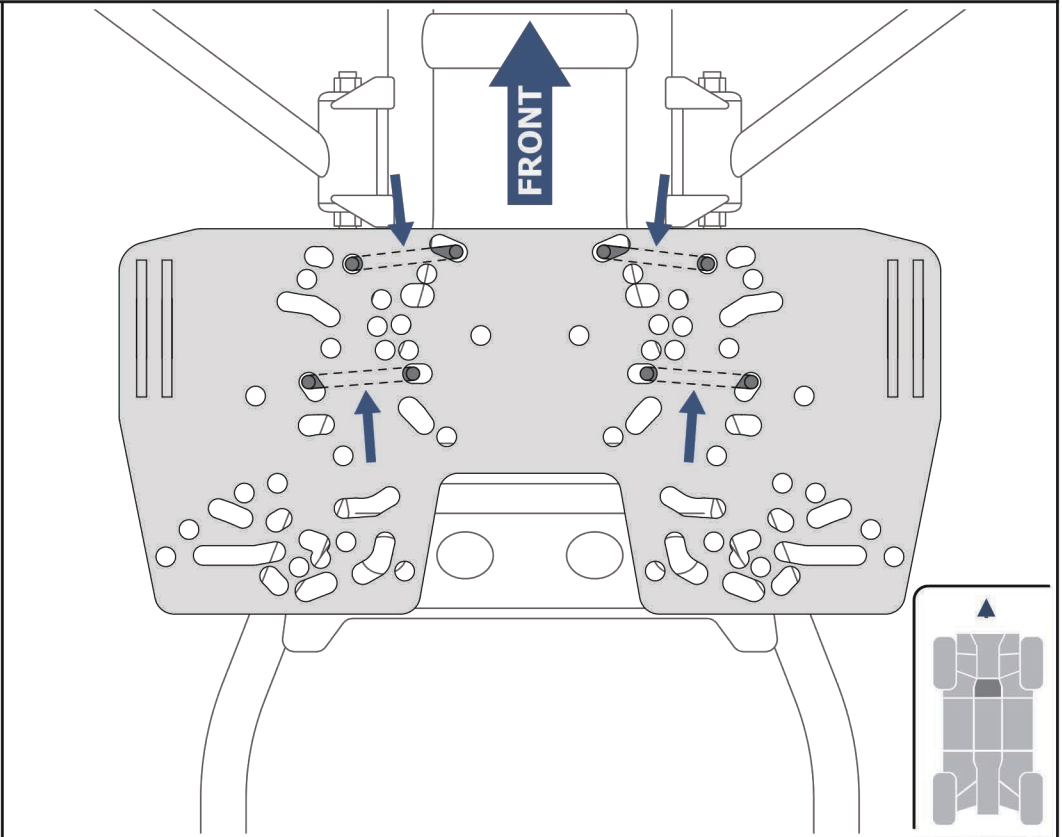
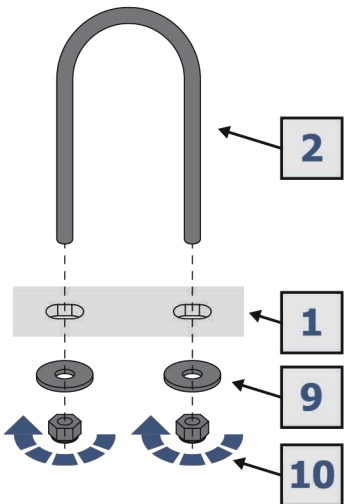




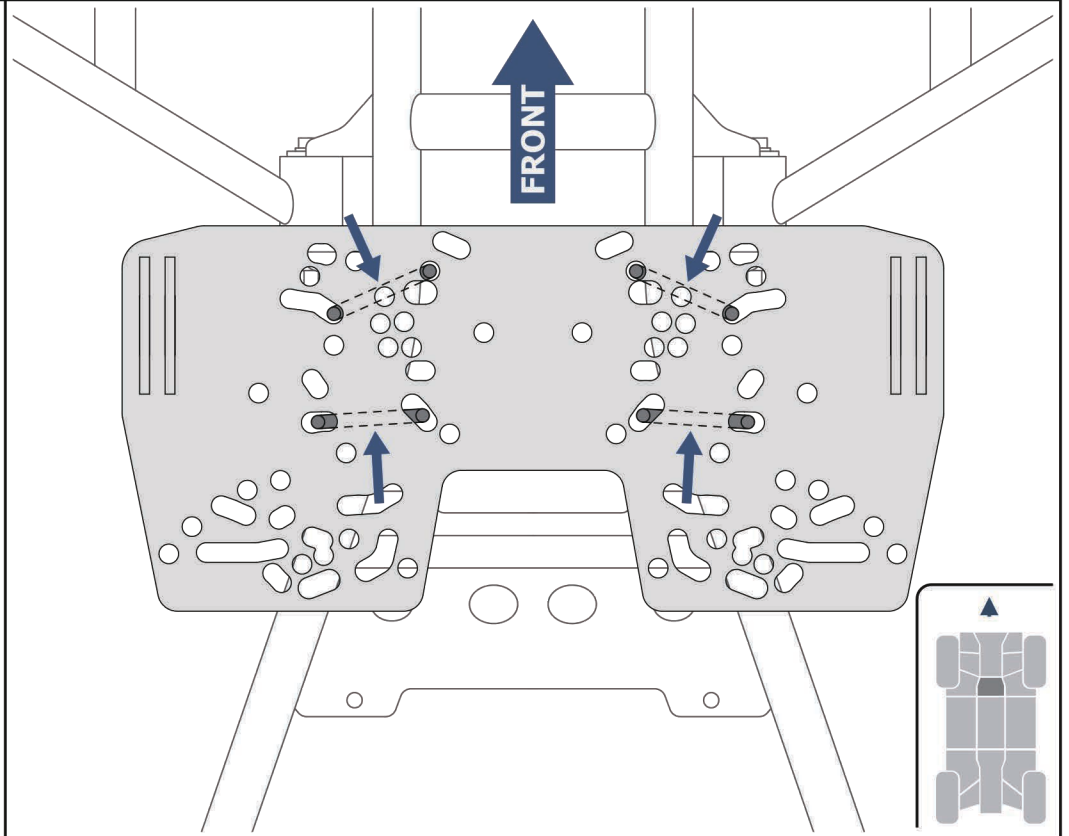
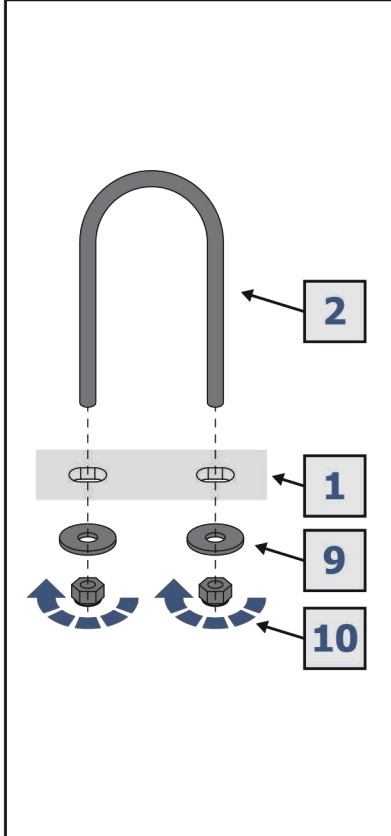
Can-Am Outlander G2, G2L, Renegade G2S



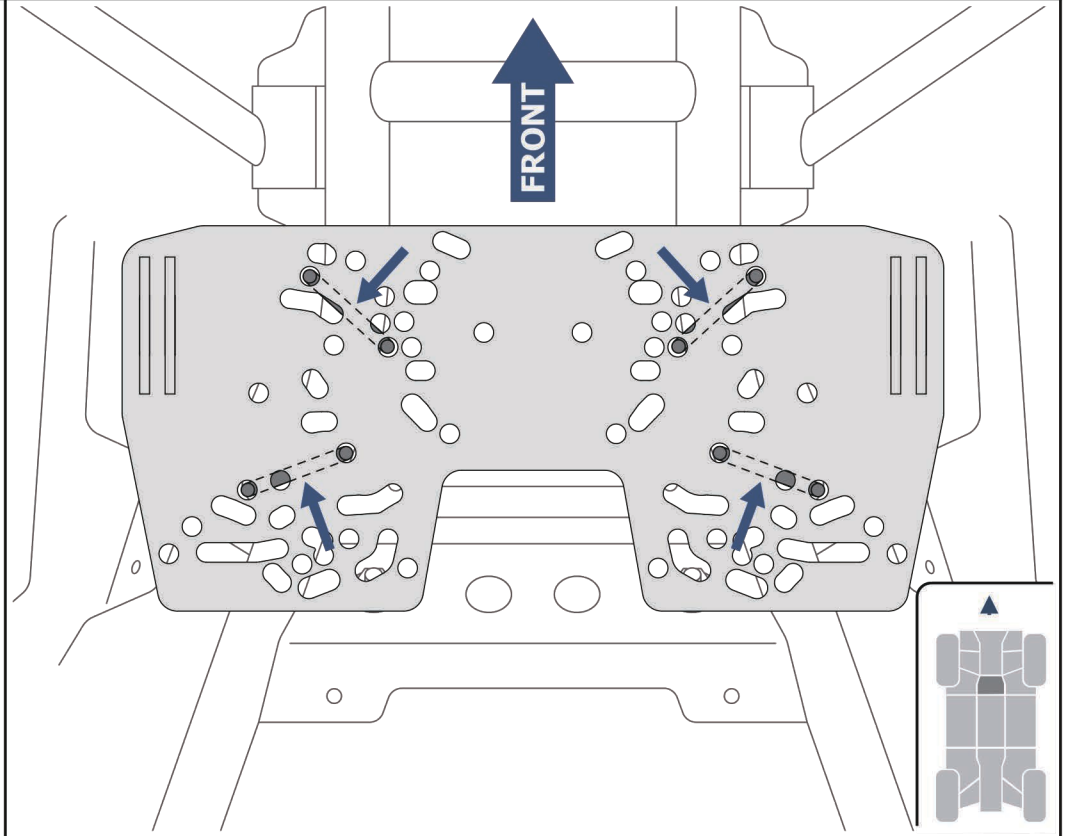
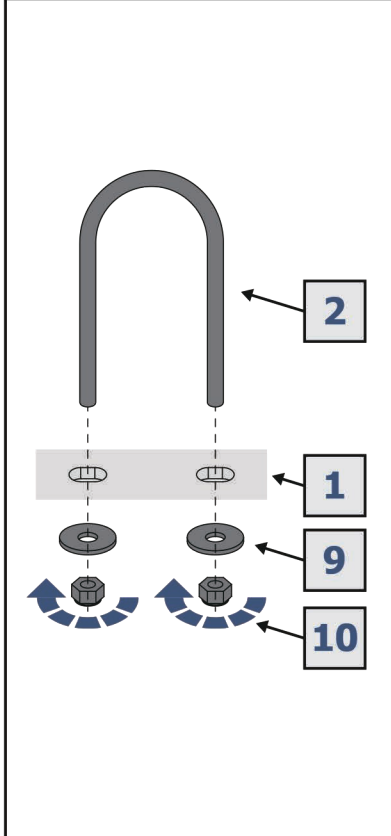
CFMOTO: CForce 400, 450, 520



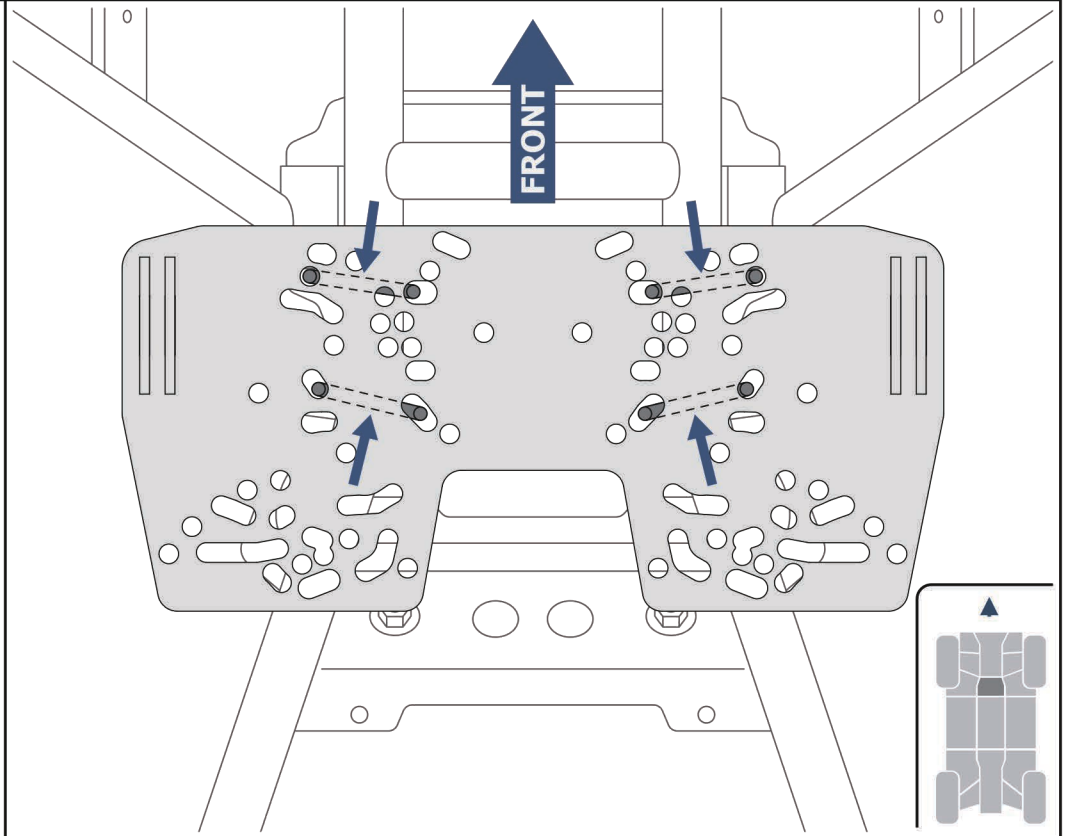
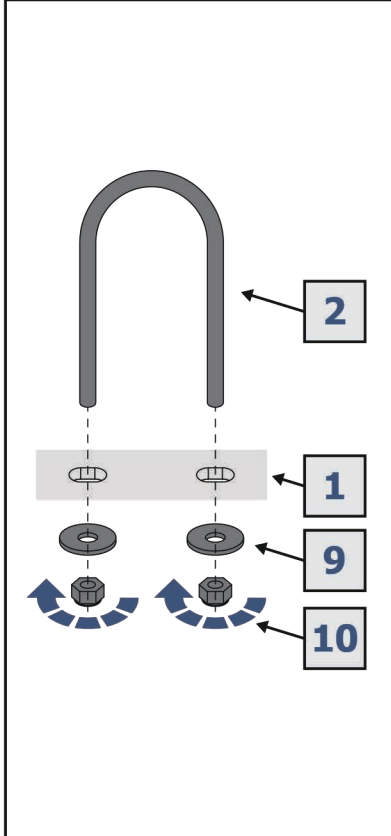
CFMOTO CForce 550



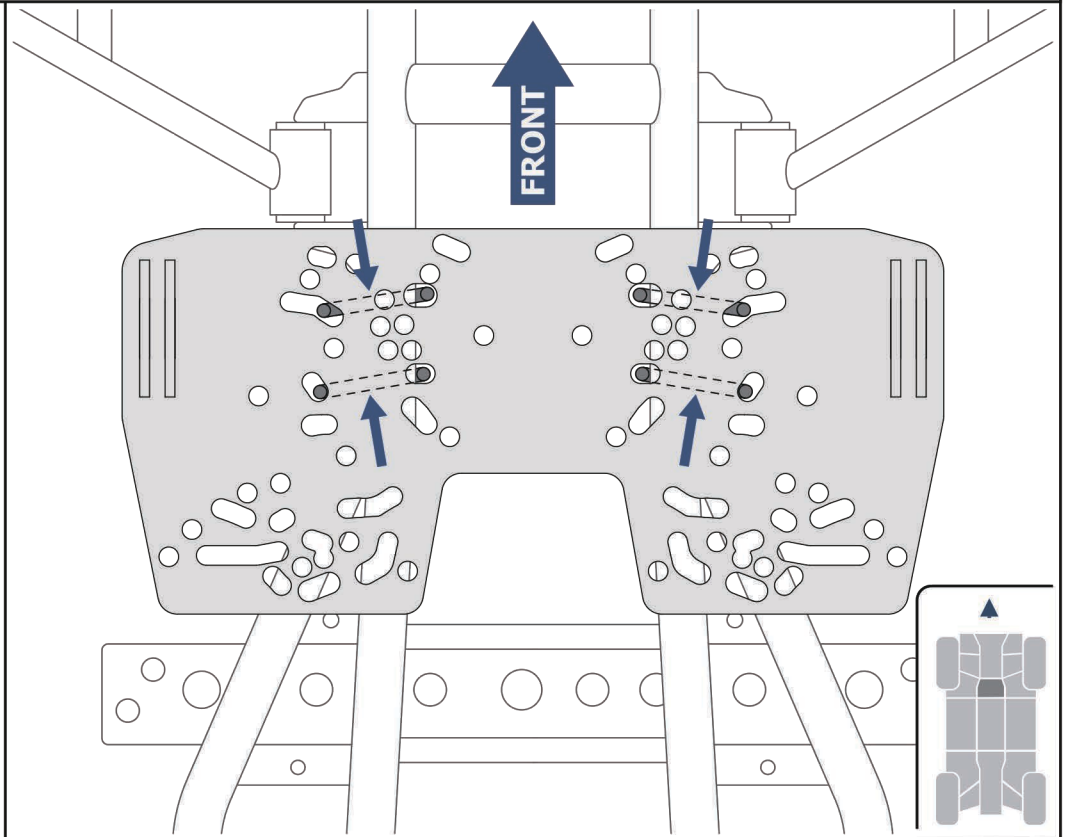
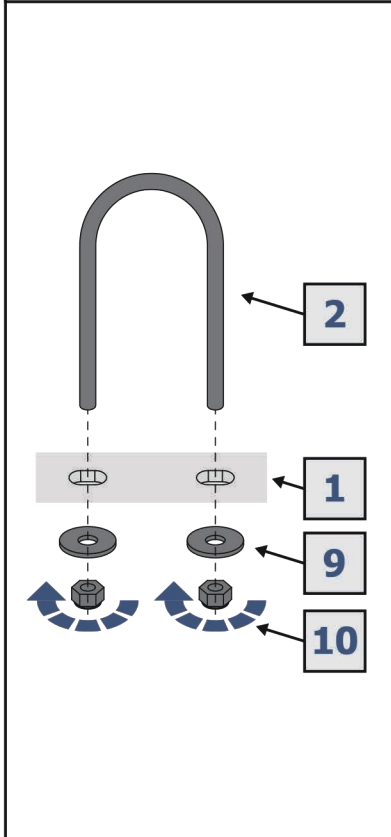
CFMOTO CForce 500, 600



CFMOTO CForce 625

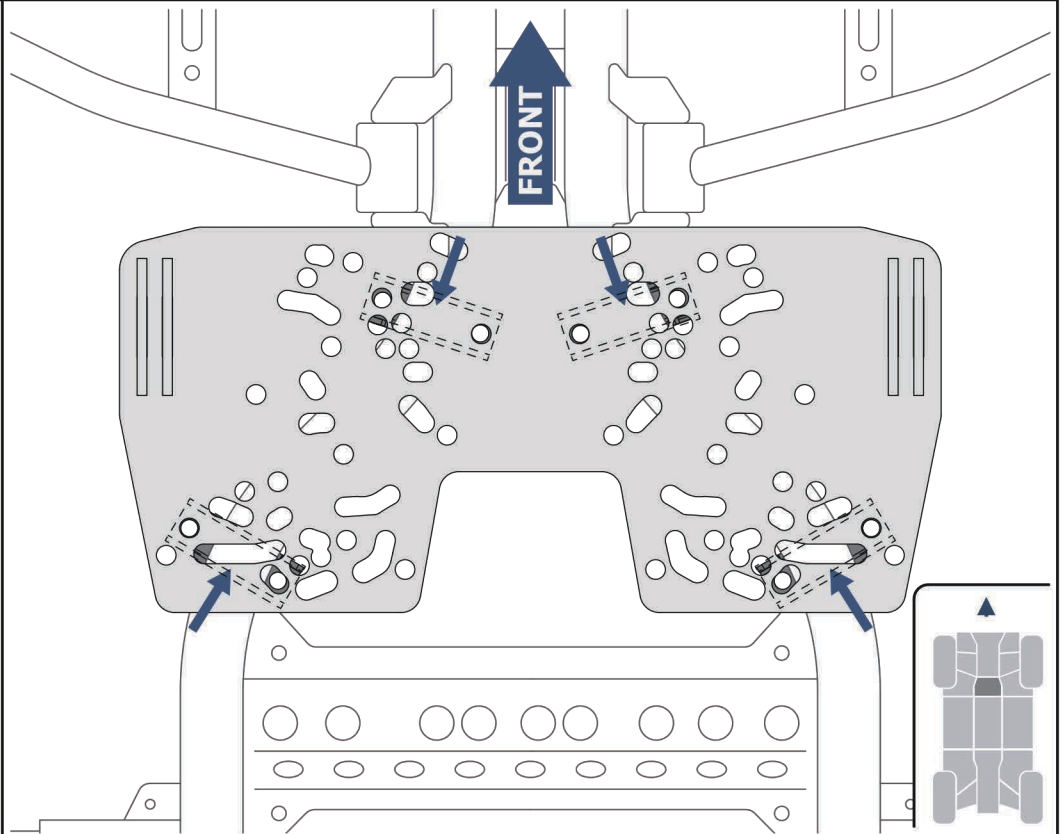
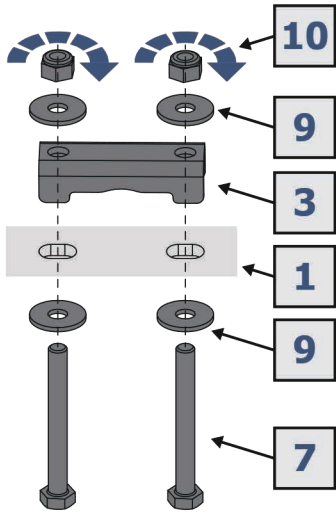


CFMOTO CForce 800, 820

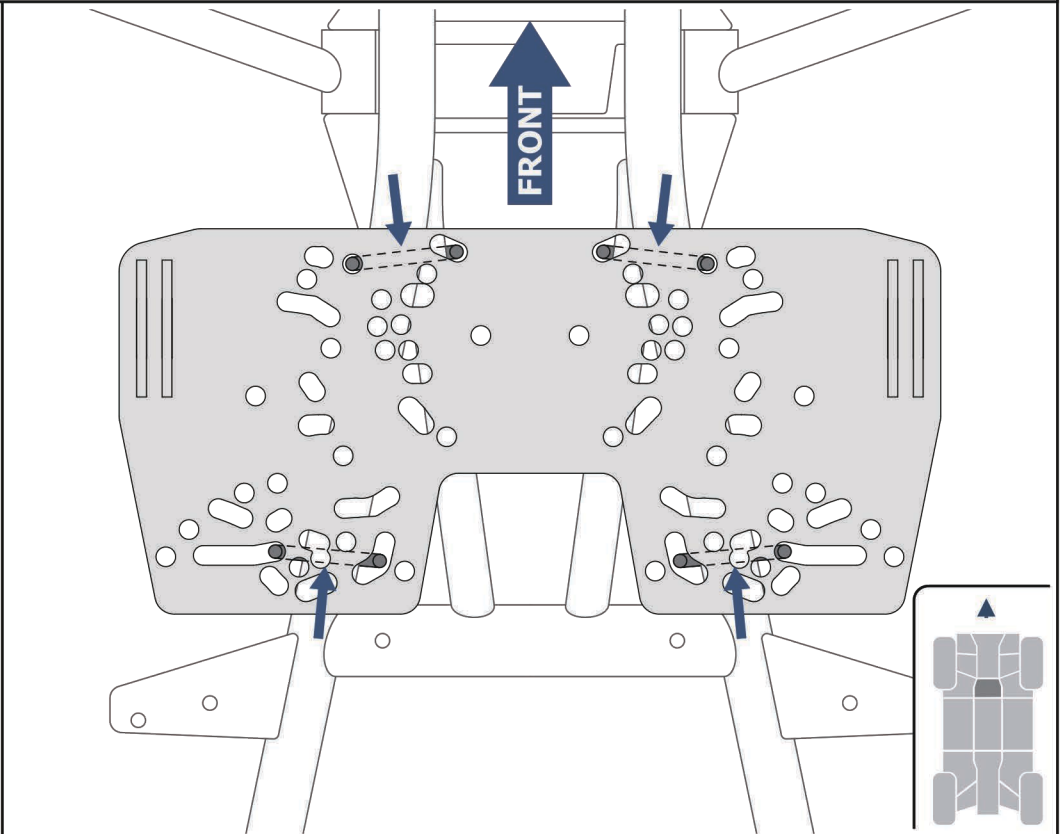
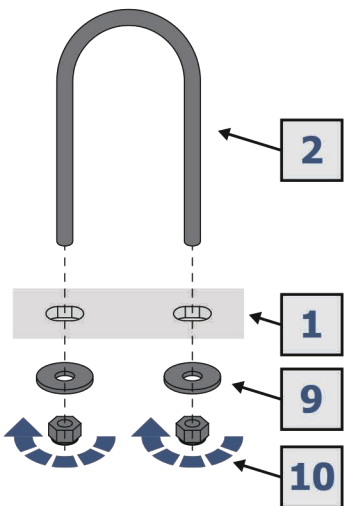




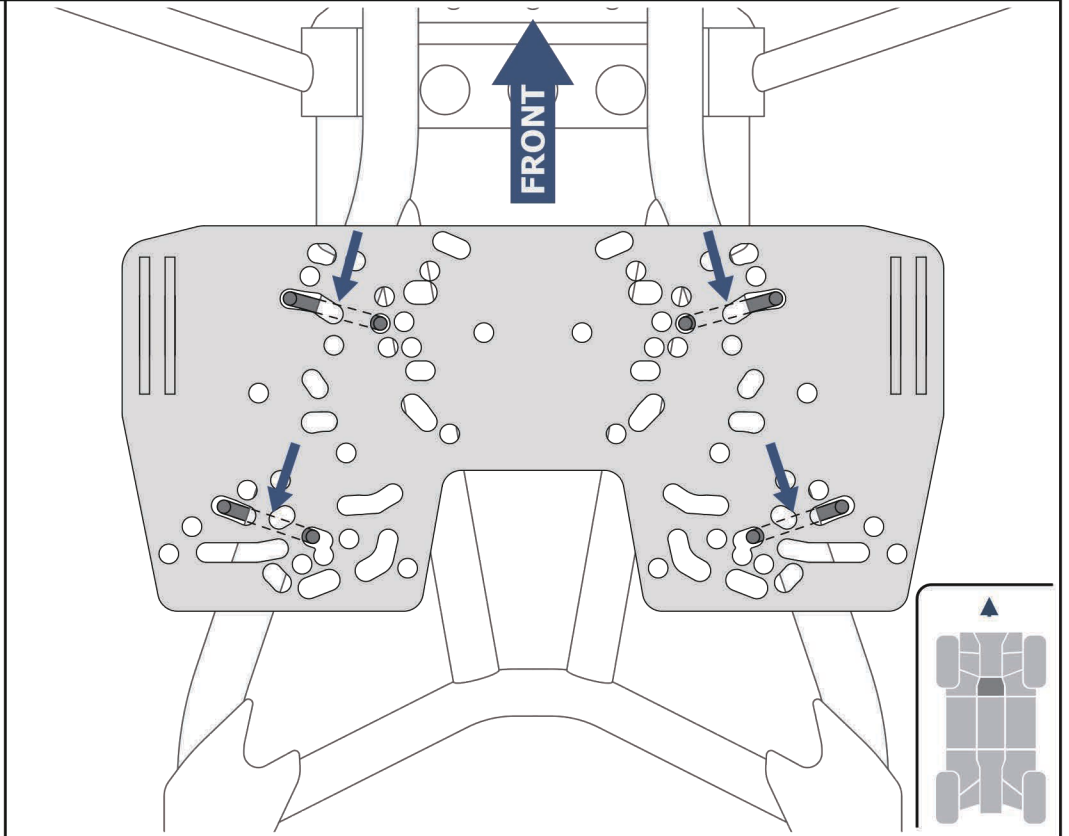
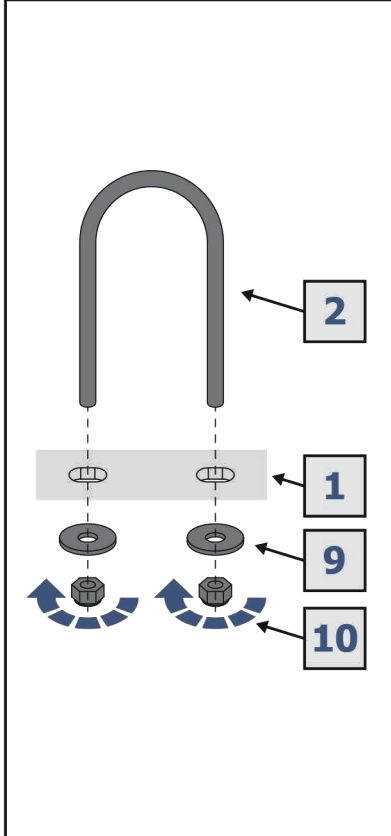
CFMOTO CForce 850, 1000



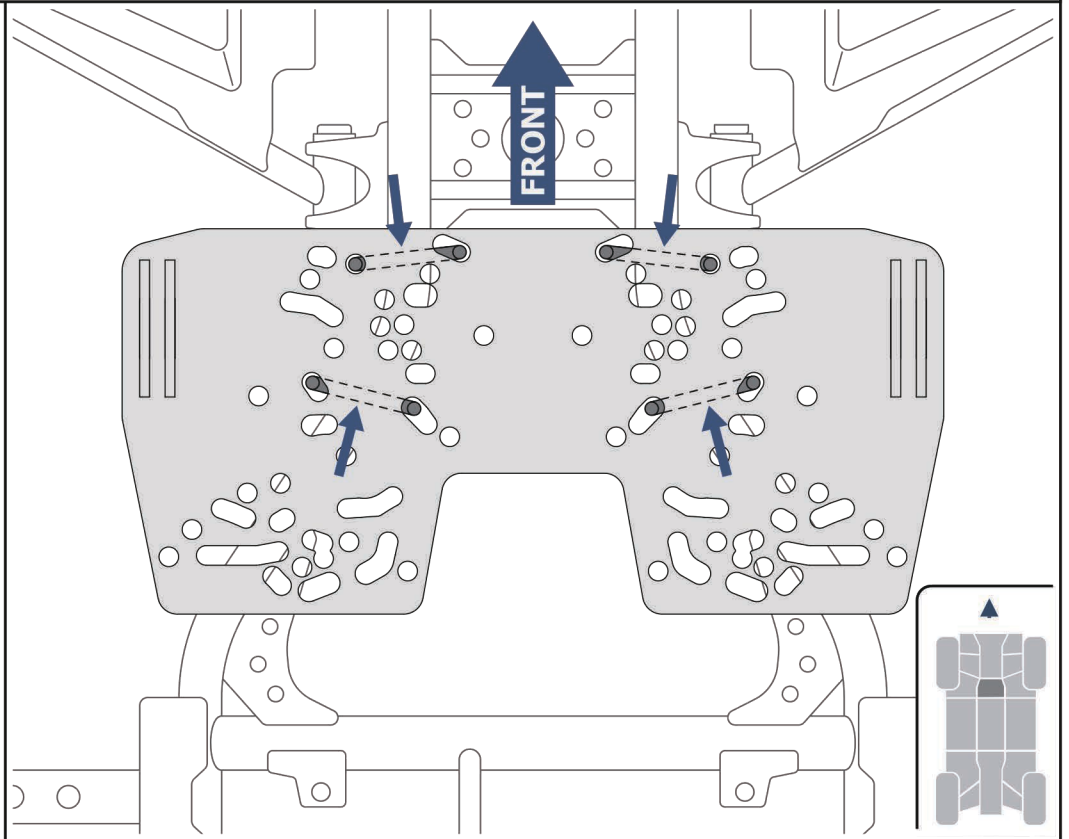
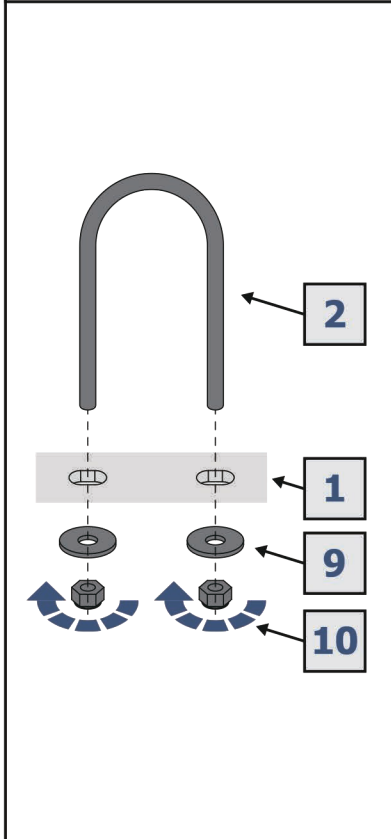
Honda TRX 420, 500, 520



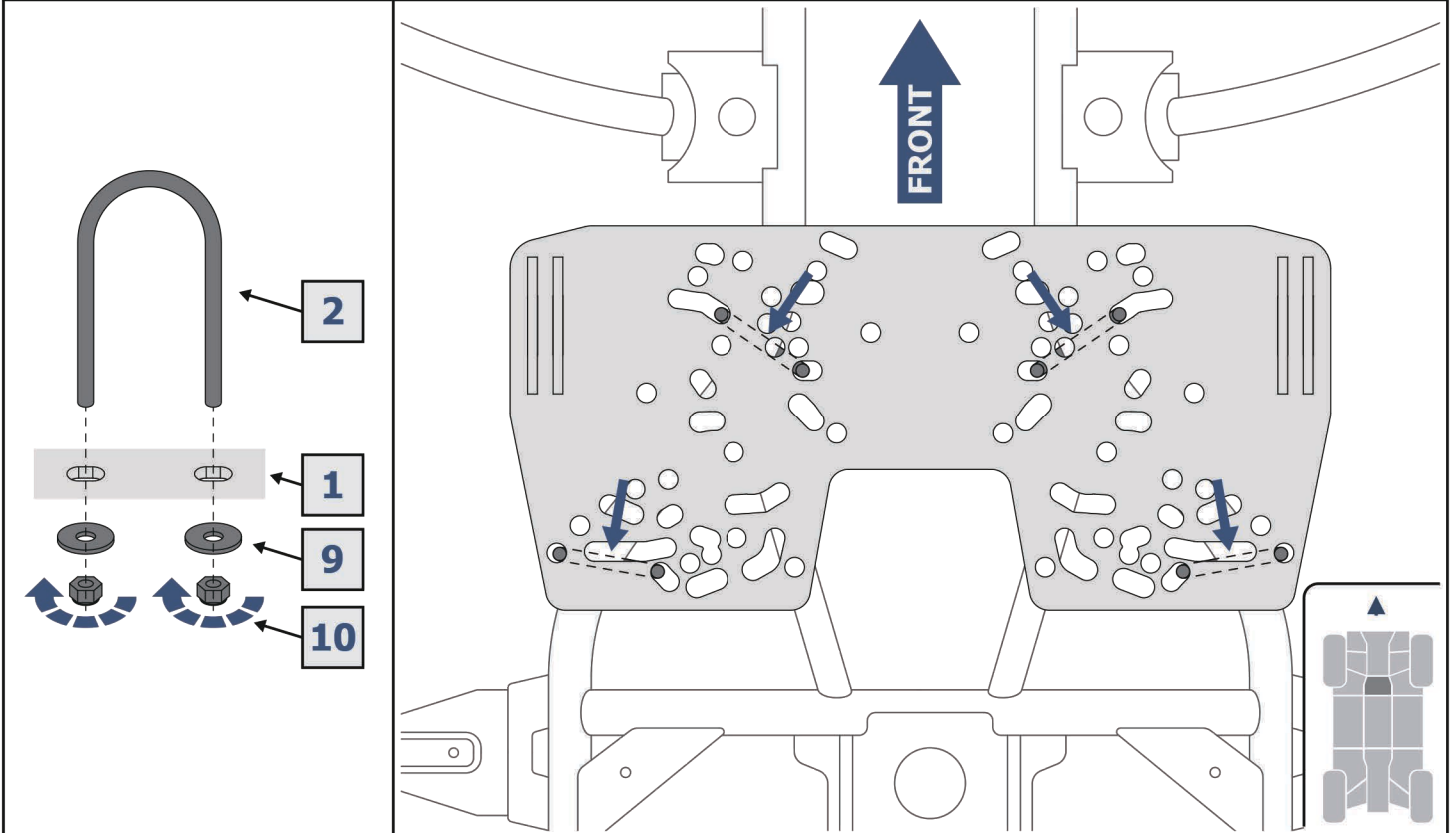
Honda TRX 680



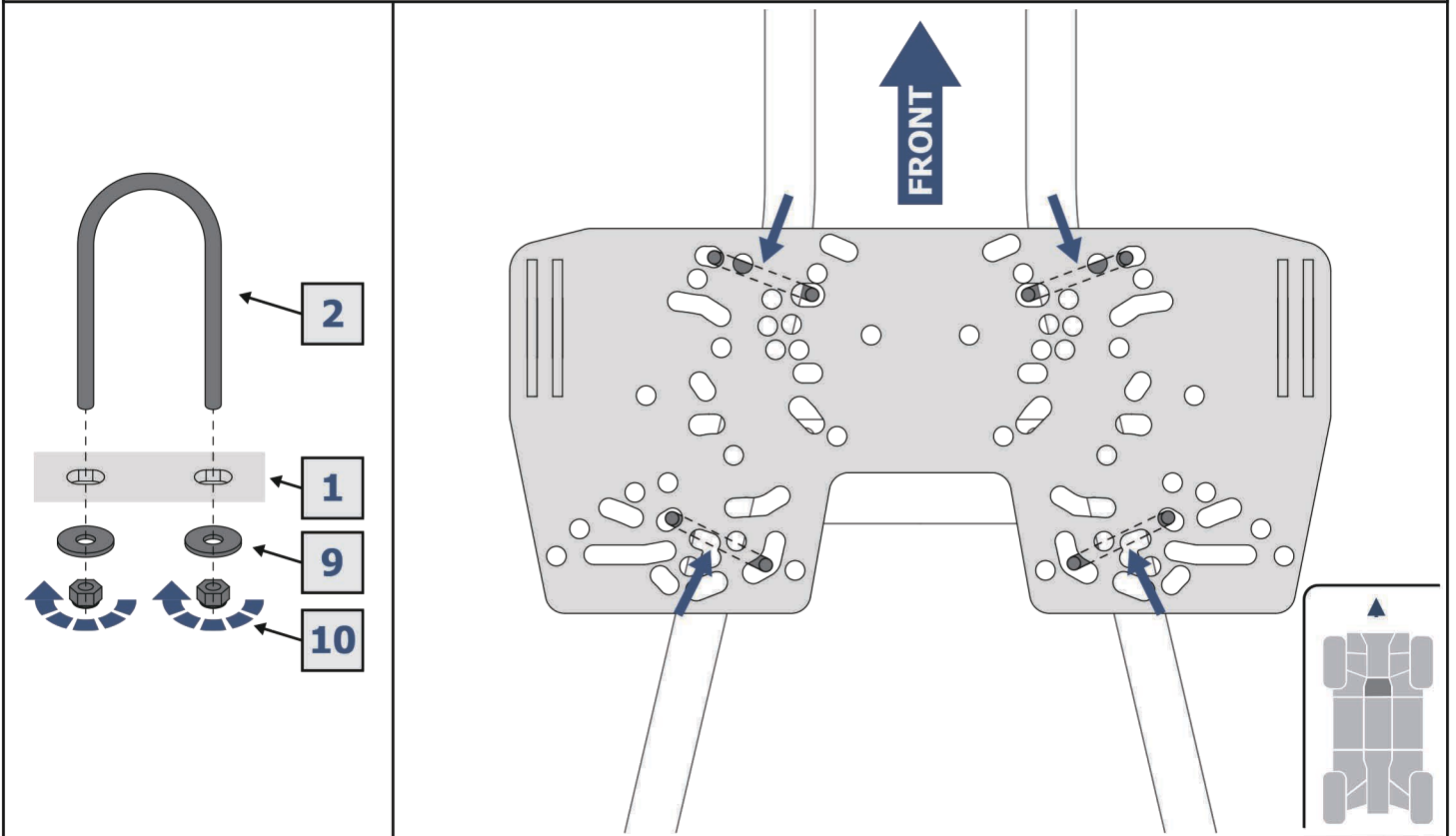
Kawasaki KVF 750



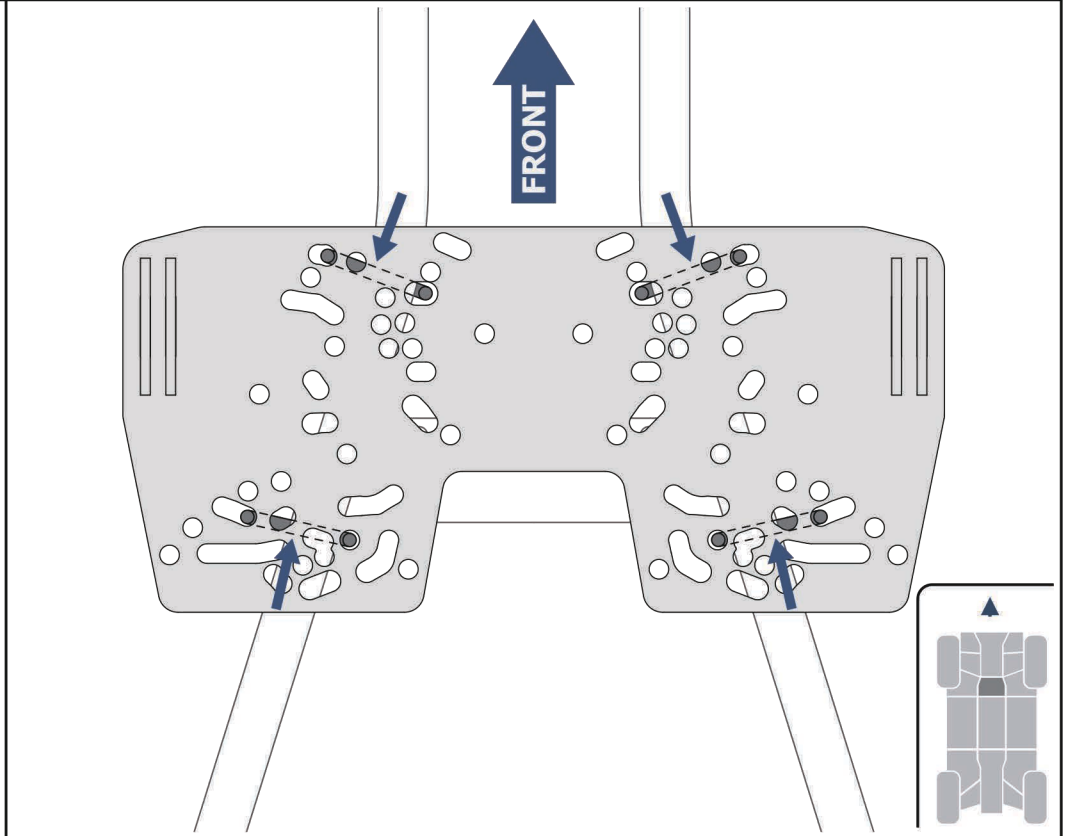
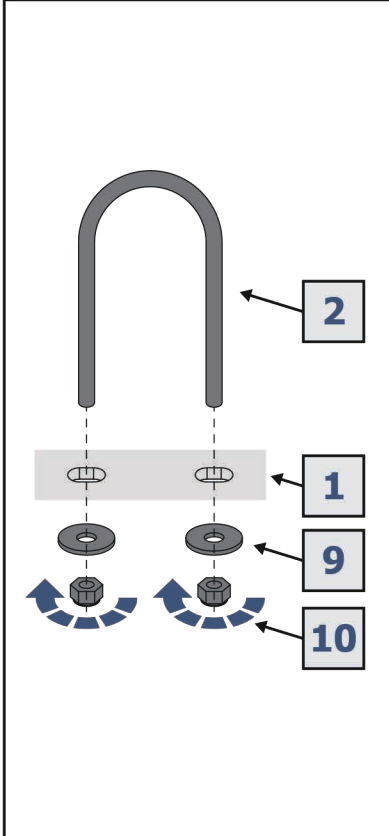
Kymco MXU 700 (2019-)



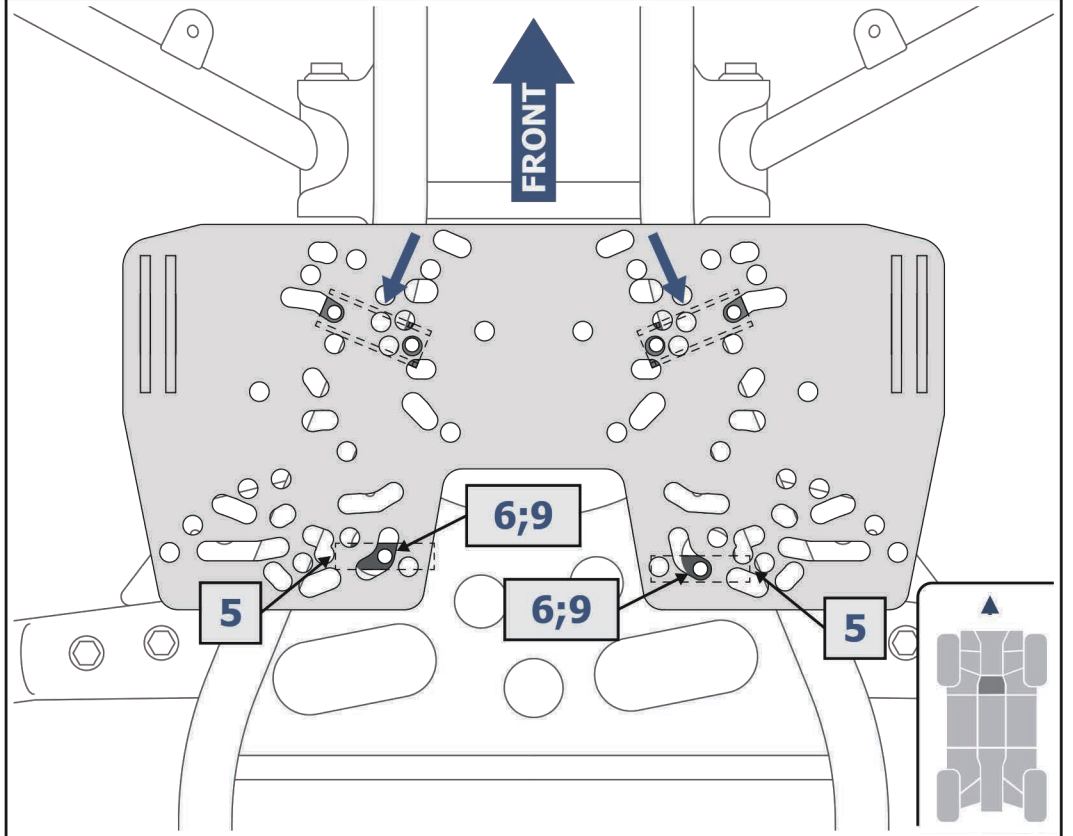
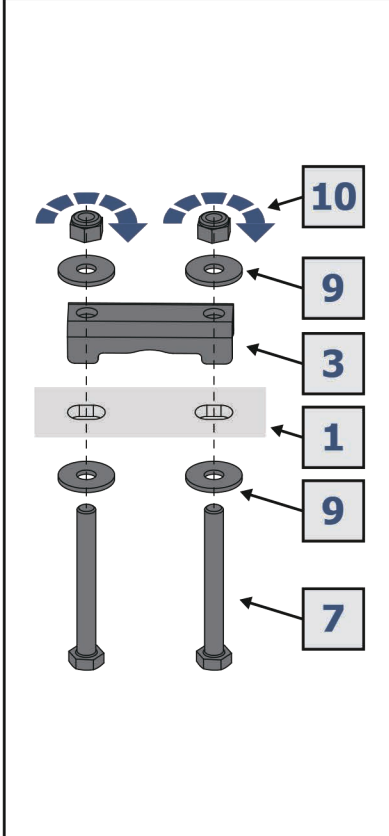
Polaris Touring Sportsman 850



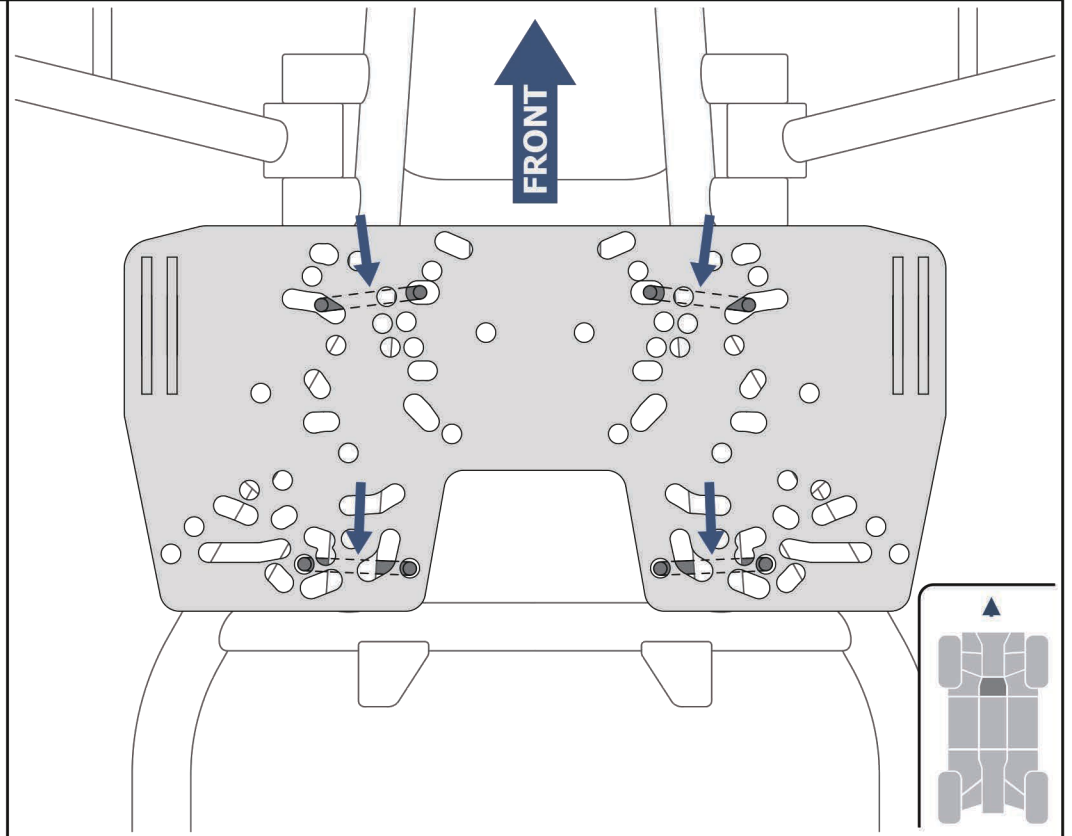
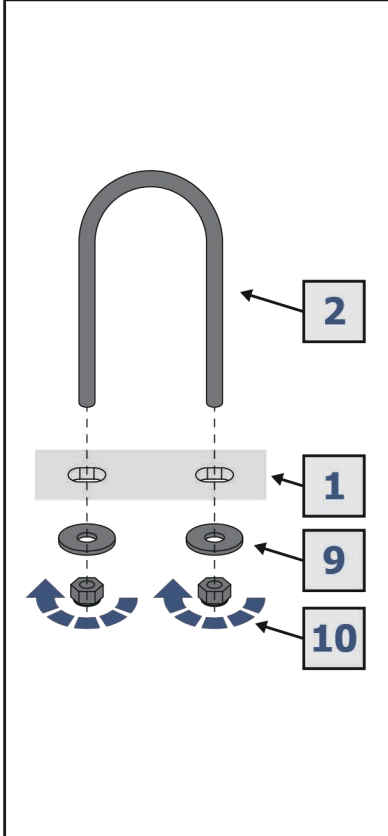
### Polaris Scrambler 1000



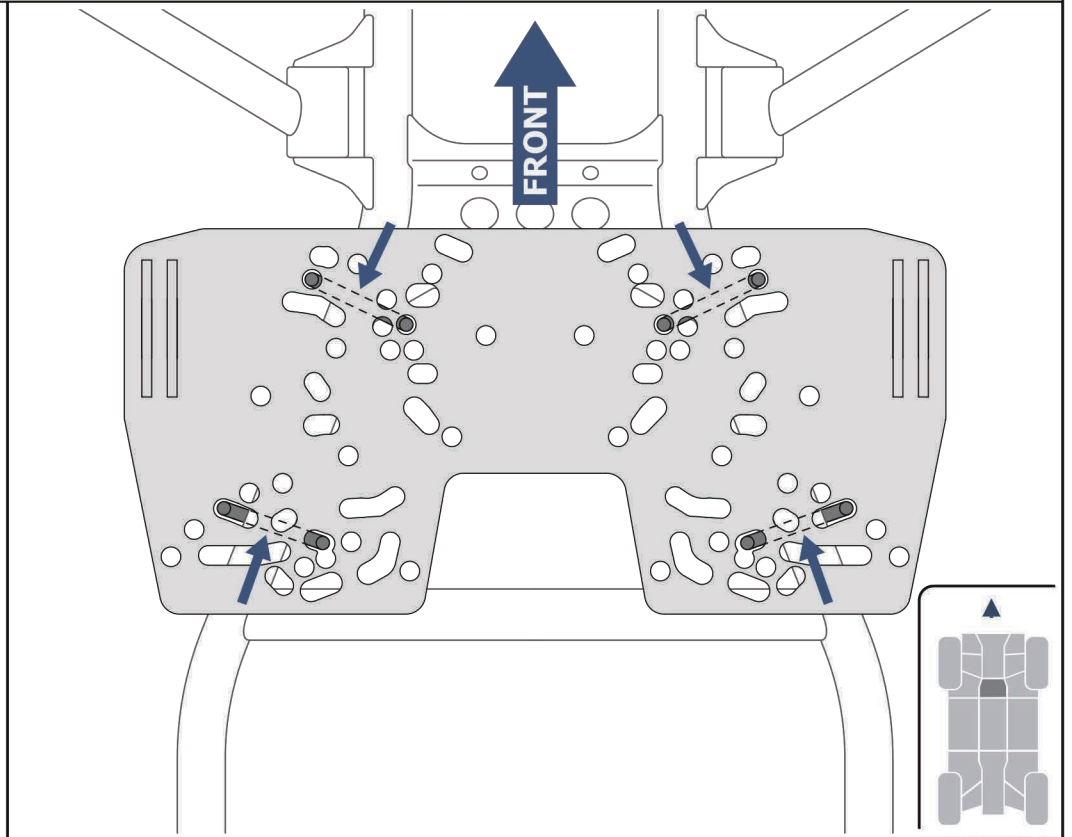
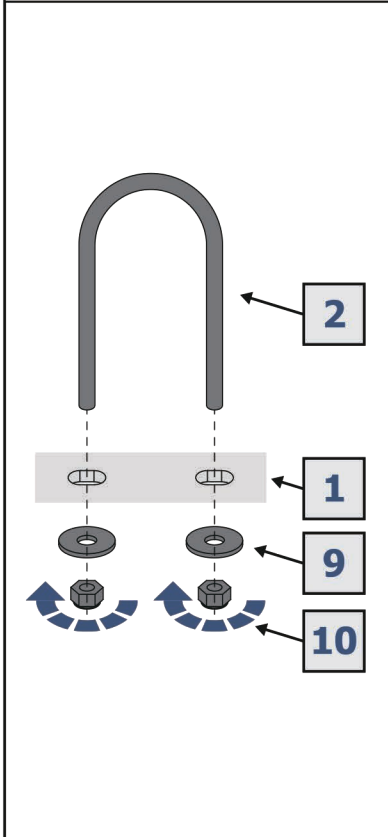
### Segway Snarler AT6



Suzuki Kingquad 400, 750

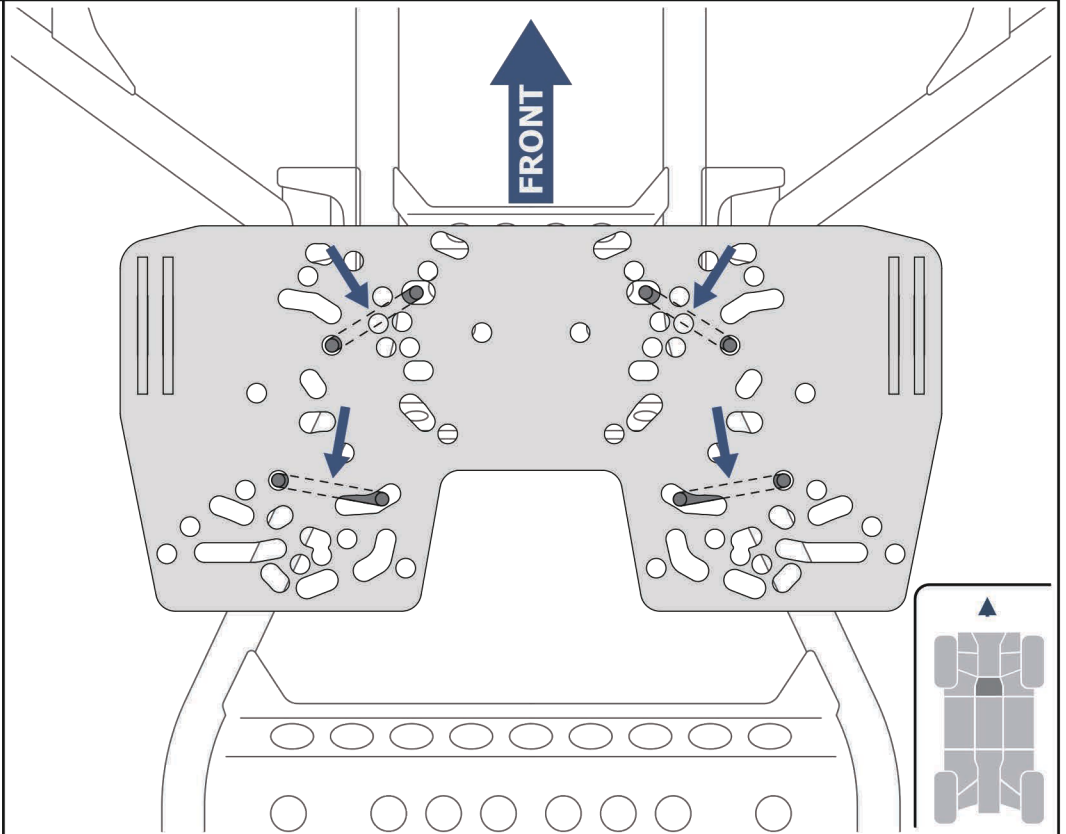
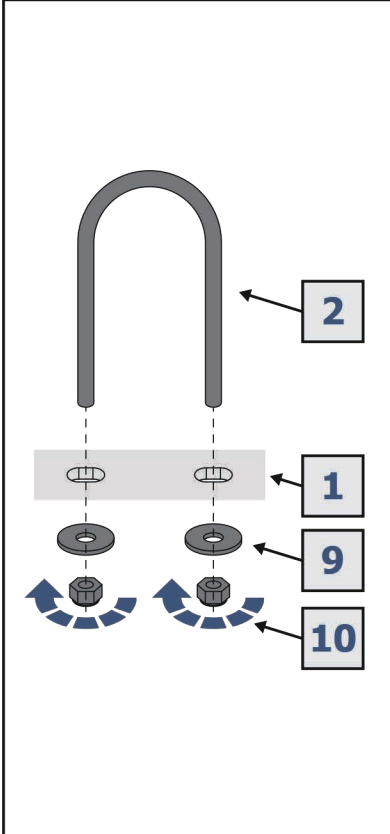


Yamaha: Grizzly 350, 450





Yamaha: Grizzly 550, 700



Yamaha: Kodiak 550, 700

